



BUILDING CODE COMPLIANCE OFFICE (BCCO)  
PRODUCT CONTROL DIVISION

MIAMI-DADE COUNTY, FLORIDA  
METRO-DADE FLAGLER BUILDING  
140 WEST FLAGLER STREET, SUITE 1603  
MIAMI, FLORIDA 33130-1563  
(305) 375-2901 FAX (305) 375-2908  
www.buildingcodeonline.com

**NOTICE OF ACCEPTANCE (NOA)**

**PGT Industries**  
1070 Technology Drive,  
Nokomis, Fl. 34275

**SCOPE:**

This NOA is being issued under the applicable rules and regulations governing the use of construction materials. The documentation submitted has been reviewed by Miami-Dade County Product Control Division and accepted by the Board of Rules and Appeals (BORA) to be used in Miami Dade County and other areas where allowed by the Authority Having Jurisdiction (AHJ).

This NOA shall not be valid after the expiration date stated below. The Miami-Dade County Product Control Division (In Miami Dade County) and/or the AHJ (in areas other than Miami Dade County) reserve the right to have this product or material tested for quality assurance purposes. If this product or material fails to perform in the accepted manner, the manufacturer will incur the expense of such testing and the AHJ may immediately revoke, modify, or suspend the use of such product or material within their jurisdiction. BORA reserves the right to revoke this acceptance, if it is determined by Miami-Dade County Product Control Division that this product or material fails to meet the requirements of the applicable building code.

This product is approved as described herein, and has been designed to comply with the Florida Building Code, including the High Velocity Hurricane Zone.

**DESCRIPTION: Series "SGD 780" Aluminum Sliding Glass Doors (Reinforced/Non-Reinforced)-Impact**

**APPROVAL DOCUMENT:** Drawing No.8100-11, titled "Alum Sliding Glass Door-Impact", sheets 1 through 11 of 11, prepared by manufacturer, dated 05/24/07 and last revised on 07/12/07, signed and sealed by Lucas A. Turner, P.E., bearing the Miami-Dade County Product Control Approval stamp with the Notice of Acceptance number and approval date by the Miami-Dade County Product Control Division.

**MISSILE IMPACT RATING: Large and Small Missile Impact Resistant**

Limitation:

1. Full length reinforcements are required for Doors height greater than 96".
2. Egress operable doors must comply with min clear width per FBC, as applicable.

**LABELING:** Each unit shall bear a permanent label with the manufacturer's name or logo, city, state and following statement: "Miami-Dade County Product Control Approved", unless otherwise noted herein.

**RENEWAL** of this NOA shall be considered after a renewal application has been filed and there has been no change in the applicable building code negatively affecting the performance of this product.

**TERMINATION** of this NOA will occur after the expiration date or if there has been a revision or change in the materials, use, and/or manufacture of the product or process. Misuse of this NOA as an endorsement of any product, for sales, advertising or any other purposes shall automatically terminate this NOA. Failure to comply with any section of this NOA shall be cause for termination and removal of NOA.

**ADVERTISEMENT:** The NOA number preceded by the words Miami-Dade County, Florida, and followed by the expiration date may be displayed in advertising literature. If any portion of the NOA is displayed, then it shall be done in its entirety.

**INSPECTION:** A copy of this entire NOA shall be provided to the user by the manufacturer or its distributors and shall be available for inspection at the job site at the request of the Building Official.

This NOA consists of this page 1 as well as evidence sheet E-1 and approval document mentioned above.

The submitted documentation was reviewed by **Ishaq I. Chanda, P. E.**



NOA No. 07-0607.02  
Expiration Date: August 02, 2012  
Approval Date: August 02, 2007

QC  
7/13/17

**NOTICE OF ACCEPTANCE: EVIDENCE SUBMITTED**

**A. DRAWINGS**

1. Manufacturer's die drawings and sections.
2. Drawing No.8100-11, titled "Alum Sliding Glass Door-Impact", sheets 1 through 11 of 11, prepared by manufacturer, dated 05/24/07 and last revised on 07/12/07, signed and sealed by Lucas A. Turner, P.E.

**B. TESTS**

- Test report on
- 1) Air Infiltration Test, per FBC, TAS 202-94
  - 2) Uniform Static Air Pressure Test, per FBC, TAS 202-94
  - 3) Water Resistance Test, per FBC, TAS 202-94.
  - 4) Large Missile Impact Test, per FBC, TAS 201-94
  - 5) Cyclic Wind Pressure Loading, per FBC, TAS 203-94
  - 6) Forced Entry Test, per FBC 2411 3.2.1 (b) and TAS 202-94

Along with marked-up drawings and installation diagram of aluminum Sliding Glass door, prepared by Fenestration Testing Laboratory, Inc., Test Report No(s). FTL-5254, dated 05/17/07 and FTL-5273 dated 05/07/07 respectively, signed and sealed by Carlos Rionda, P.E.

**C. CALCULATIONS**

1. Anchor verification and comparative analysis dated 05-31-07 and last revised on 07/12/07, prepared by PGT, signed and sealed by Lucas A. Turner, P.E.
2. Glazing complies with ASTM E-1300-02

**D. QUALITY ASSURANCE**

1. Miami Dade Building Code Compliance Office (BCCO).

**E. MATERIAL CERTIFICATIONS**


1. Notice of Acceptance No. 03-0514.15, issued to E.I. DuPont de Numerous & Co., Inc., for their "Sentry Glas Plus ®", expiring on 12/11/10

**F. STATEMENTS**

1. Statement letter of conformance and no financial interest, dated 05-30-07, signed by Lucas A. Turner, P.E.
2. Letter of lab compliance, part of the above test reports.

**G. OTHER**

1. Test proposal # 07-2583 dated March 19, 2007 approved by BCCO.

  
Ishaq I. Chanda, P.E.  
Product Control Examiner  
NOA No. 07-0607.02  
Expiration Date: August 02, 2012  
Approval Date: August 02, 2007

# GENERAL NOTES: IMPACT SLIDING GLASS DOOR

- GLAZING OPTIONS: A. 7/16" LAMI; (2) LITES OF 3/16" HEAT STRENGTHENED GLASS WITH AN .090 SENTRY GLAS PLUS (SGP) INTERLAYER.  
B. 1 1/16" LAMI I.G.: 3/16" OR 1/4" TEMPERED, 3/8" OR 5/16" AIR SPACE, 7/16" LAMI CONSISTING OF GLAZING OPTION A ABOVE.
- CONFIGURATIONS: MAXIMUM NOMINAL PANEL SIZE 48" X 120". MAXIMUM 6 PANELS AND 3 TRACKS. SEE APPROVED PANEL CONFIGURATIONS SHEET 3.
- DESIGN PRESSURES: A. NEGATIVE DESIGN LOADS BASED ON TESTED PRESSURE AND GLASS TABLES ASTM E 1300-02.  
B. POSITIVE DESIGN LOADS FOR SILLS TALLER THAN 1 5/8" BASED ON WATER TEST PRESSURE. SEE TABLE 1b BELOW.
- ANCHORAGE: THE 33 1/3% STRESS INCREASE HAS NOT BEEN USED IN THE DESIGN OF THIS PRODUCT. MATERIALS, INCLUDING BUT NOT LIMITED TO STEEL SCREWS, THAT COME INTO CONTACT WITH OTHER DISSIMILAR MATERIALS SHALL MEET THE REQUIREMENTS OF THE FLORIDA BUILDING CODE, CURRENT EDITION. FOR ANCHORAGE DETAILS SEE SHEETS 9 THROUGH 11.
- SHUTTERS ARE NOT REQUIRED.
- INSTALLATION SCREWS, FRAME AND PANEL CORNERS SEALED WITH NARROW JOINT SEALANT.
- REFERENCES: TEST REPORTS FTL-5254 AND FTL-5273  
ELCO TEXTRON NOA: 04-0721.01, 03-0225.05  
ANSI/AF&PA NDS-2001 FOR WOOD CONSTRUCTION  
ADM-2005 ALUMINIUM DESIGN MANUAL
- THIS PRODUCT HAS BEEN DESIGNED & TESTED TO COMPLY WITH THE REQUIREMENTS OF THE FLORIDA BUILDING CODE, INCLUDING THE HIGH VELOCITY HURRICANE ZONE (HVHZ).
- PANEL WIDTHS SMALLER THAN 36" MUST BE VERIFIED FOR COMPLIANCE WITH EGRESS REQUIREMENTS PER FLORIDA BUILDING CODE, AS APPLICABLE

## NOA DRAWING MAP

GENERAL NOTES.....	1	SHEET
GLAZING DETAILS.....	1	
DESIGN PRESSURES.....	2	
ELEVATIONS.....	2	
CONFIGURATIONS.....	2-3	
HORIZ. SECTIONS.....	4-5	
VERT. SECTIONS.....	5-6	
PARTS LIST.....	7	
EXTRUSIONS.....	7-8	
ANCHORAGE.....	9-11	

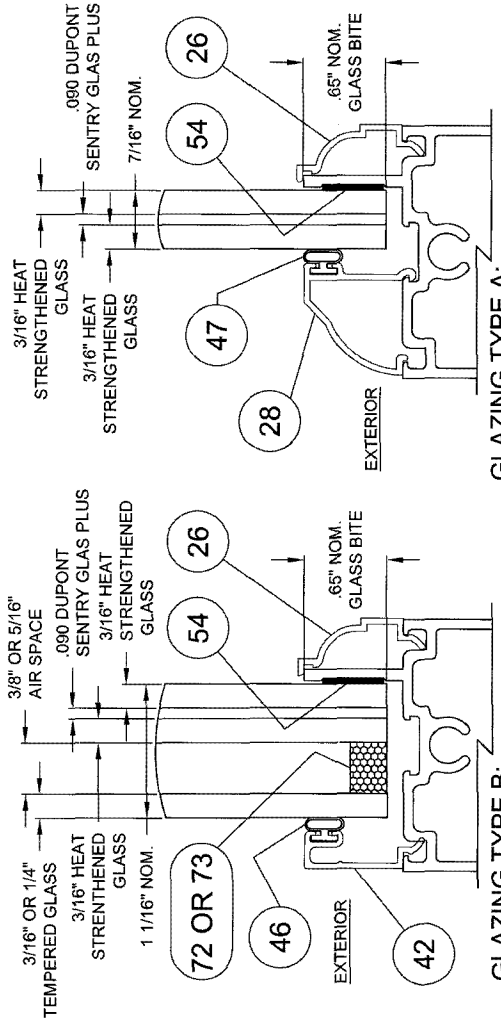
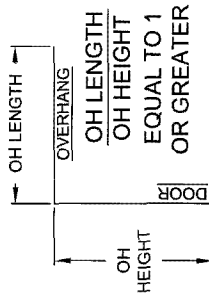
Approved as complying with the Florida Building Code  
 Date APR 23, 2007  
 NOA# 07-2607-02  
 Miami Date Product Control Division  
 By 15/04/1. U. U. U.

*Lucas A. Turner*  
 7/12/07

Lucas A. Turner, P.E.  
 PE #95201  
 Mechanical

GLASS TYPE	DOOR HEIGHT		
	96"	118"	120"
A	+105.0	-115.0	+105.0 -114.0
B	+105.0	-115.0	NOT AVAILABLE
A	+105.0	-115.0	+105.0 -115.0
B	+105.0	-115.0	NOT AVAILABLE

TABLE 1b. POSITIVE PRESSURE LIMITS BASED ON SILL HEIGHTS (NEGATIVE PRESSURES ARE UNCHANGED)	
4 1/2"	+100.0
3 1/2"	+73.3
1 5/8"	+105.0 (NOT RATED FOR WATER INFILTRATION. MUST BE PROTECTED BY OVERHANG COMPLYING WITH FLORIDA BUILDING CODE, SEE BELOW)



GLAZING TYPE A:  
 7/16" LAMINATED GLAZING DETAIL

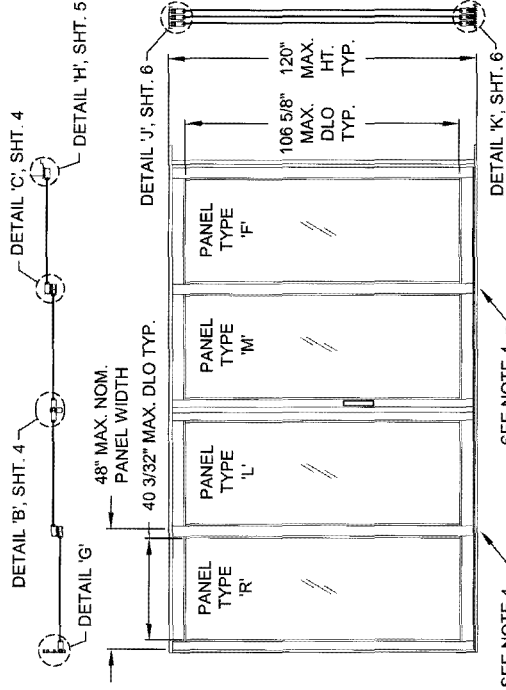
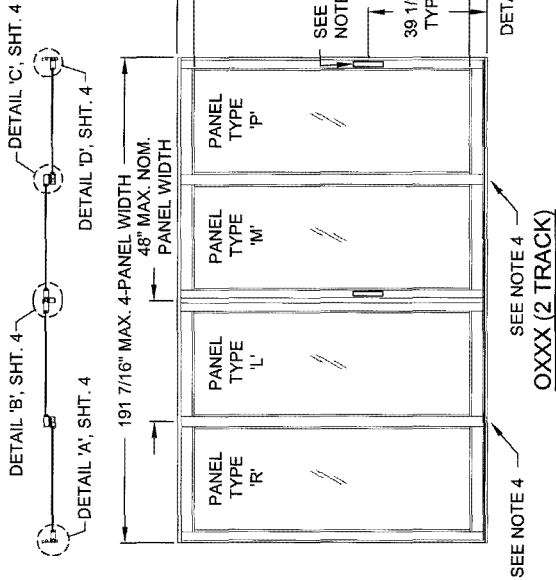
GLAZING TYPE B:  
 1 1/16" LAMI I.G. GLAZING DETAIL

Revised By:	Date:	Revisions:
Revised By:	Date:	Revisions:
Revised By:	Date:	Revisions:
Drawn By:	Date:	Checked By:
F.K.	5/1/07	E.B.

1070 TECHNOLOGY DRIVE  
 NOKOMIS, FL 34276  
 P.O. BOX 1529  
 NOKOMIS, FL 34274

**PGI**  
 Visibly Better

Occupant: GENERAL NOTES, GLAZING DETAIL AND MAP  
 Title: ALUM. SLIDING GLASS DOOR, IMPACT  
 Standard: 1X  
 Sheet: 1 of 11  
 Drawing No: 8100-11



**NOTES:**

1. SEE SHEET 3 FOR INDIVIDUAL PANEL CONFIGURATIONS. MAX. NOMINAL PANEL WIDTH = 48".
2. SEE SHEETS 4 THROUGH 6 FOR SECTION DETAILS.
3. SEE SHEETS 9 THROUGH 11 FOR ANCHORAGE DETAILS.
4. REINFORCEMENT LOCATIONS: ITEM 17 REINFORCEMENTS (FULL LENGTH OF PANEL) ARE REQUIRED IN THE EXTERIOR INTERLOCKS OF DOORS EXCEEDING 96" HIGH. SEE SECTION DETAIL C, SHEET 4.
5. DLO WIDTH = NOM. PANEL WIDTH - 7 29/32  
DLO HEIGHT = DOOR HEIGHT - 3 3/8
6. 1 LOCK (ITEMS 154 TO 161) AT EACH LOCKSTILE, LOCKING INTO KEEPER (ITEM 170) AT FRAME JAMB OR ASTRAGAL.

Approved as complying with the  
Florida Building Code  
Date: 07-26-07  
NGAA: 07-26-07-02  
Miami Date Product Control  
Div: 15149 | L. L. L.

*Handwritten initials and date:*  
7/12/07

Lucas A. Turner, P.E.  
PE #58201  
Mechanical


Revised By:	Date:	Revisions:		Description: <b>EXAMPLE ELEVATIONS/CONFIGURATIONS</b>
Revised By:	Date:	Revisions:		Title: <b>ALUM. SLIDING GLASS DOOR, IMPACT</b>
Revised By:	Date:	Revisions:		System: <b>FULL</b>
Revised By:	Date:	Revisions:		Sheet: <b>2</b> of <b>11</b>
Drawn By:	Date:	Checked By:		Drawing No: <b>8100-11</b>
F.K.	5/1/07	E.B.	Schematic: <b>SGD780</b>	Rev: <b>8100-11</b>
1070 TECHNOLOGY DRIVE NOKOMIS, FL 34275 P.O. BOX 1528 NOKOMIS, FL 34274				

↑ INTERIOR  
(ALL PANEL TYPES)  
↓ EXTERIOR

PANEL LETTER	Diagram	PANEL LETTER	Diagram	Diagram	Diagram
P	SINGLE INTERLOCK	K	SINGLE INTERLOCK	LOCKSTILE	LOCKSTILE
R	FIXED LOCKSTILE	GR	DOUBLE INTERLOCK	LOCKSTILE	LOCKSTILE
T	ASTRAGAL OUT	U (BOX OUT)	ASTRAGAL OUT	LOCKSTILE	LOCKSTILE
T (BOX IN)	ASTRAGAL IN	U (BOX IN)	ASTRAGAL IN	LOCKSTILE	LOCKSTILE
S (BOX OUT)	FIXED LOCKSTILE	A	SINGLE INTERLOCK	LOCKSTILE	LOCKSTILE
S (BOX IN)	FIXED LOCKSTILE	D	LOCKSTILE	SINGLE INTERLOCK	SINGLE INTERLOCK
Y	FIXED LOCKSTILE	G	LOCKSTILE	DOUBLE INTERLOCK	DOUBLE INTERLOCK
YR	DOUBLE INTERLOCK	J (BOX OUT)	LOCKSTILE	ASTRAGAL OUT	ASTRAGAL OUT
W	DOUBLE INTERLOCK	J (BOX IN)	LOCKSTILE	ASTRAGAL IN	ASTRAGAL IN
WR (BOX OUT)	ASTRAGAL OUT	M	LOCKSTILE	SINGLE INTERLOCK	SINGLE INTERLOCK
L (BOX OUT)	SINGLE INTERLOCK				
LR (BOX OUT)	ASTRAGAL OUT				
N (BOX IN)	ASTRAGAL IN				
C (BOX IN)	SINGLE INTERLOCK				
B	SINGLE INTERLOCK				
F	SINGLE INTERLOCK				
E	SINGLE INTERLOCK				
I	DOUBLE INTERLOCK				

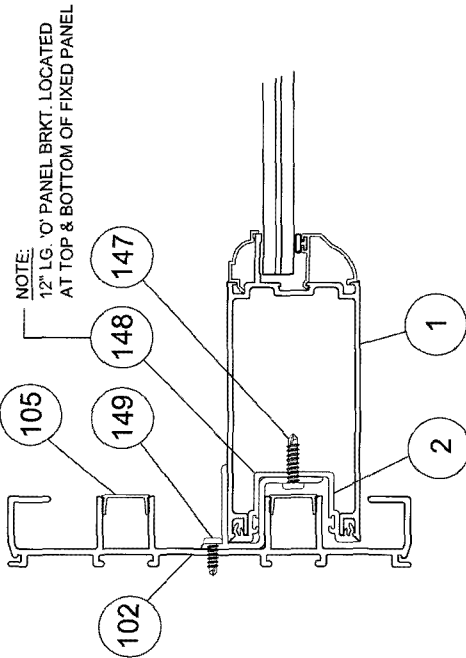
Approved as complying with the  
Florida Building Code  
Date AV402-1-2007  
NOA# 07-06607-03  
Miami Trade Product Control  
Division  
By: V. Gaggliardi

NOTE:  
1. MAXIMUM NOMINAL PANEL WIDTH FOR ALL PANEL CONFIGURATIONS = 48"

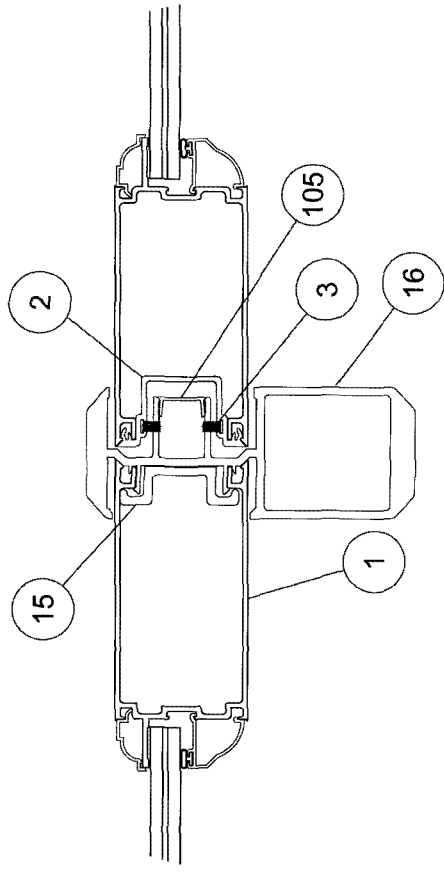
Revised By: _____	Date: _____	Revised By: _____	Date: _____	Revised By: _____	Date: _____	Revised By: _____	Date: _____	Checked By: _____	Date: _____
F.K. 5/1/07		E.B. 5/24/07		1070 TECHNOLOGY DRIVE NOKOMIS, FL 34275		P.O. BOX 1529 NOKOMIS, FL 34274		 Visibly Better	
Description: PANEL TYPES		The: ALUM. SLIDING GLASS DOOR, IMPACT		Revision: S60780		Scale: FULL 3 of 11		Drawing No. 8100-11	

*Handwritten signature and date:*  
7/12/07

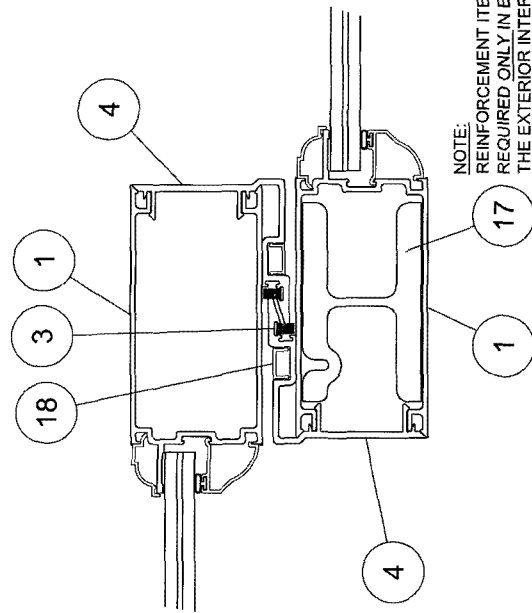
Lucas A. Turner, P. E.  
PE #85201  
Mechanical



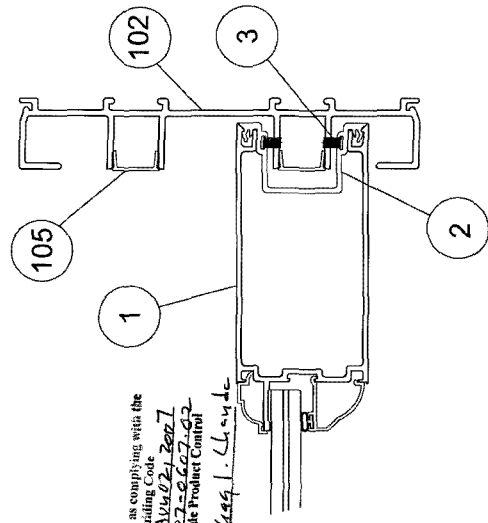
**DETAIL 'A' (FIXED PANEL)**



**DETAIL 'B''**



**DETAIL 'C''**



**DETAIL 'D''**

Approved as complying with the  
Florida Building Code  
Date April 2, 2007  
NOA# 07-000007-03  
Miami Dade Product Control  
Division  
By Gregory J. Lynch

NOTE:  
REINFORCEMENT ITEM 17  
REQUIRED ONLY IN EACH OF  
THE EXTERIOR INTERLOCK OF  
DOORS OVER 96" HIGH

*Handwritten signature and date:*  
7/12/07

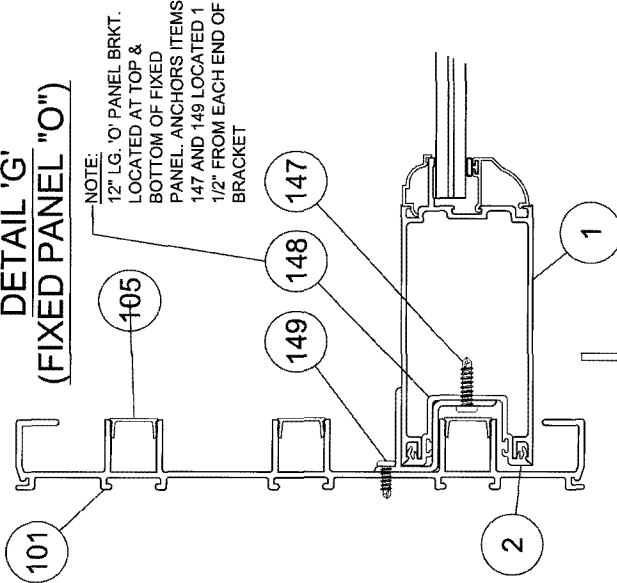
Lucas A. Turner, P.E.  
PE #65201  
Mechanical

Revised By:	Date:	Revisions:	Description:
Revised By:	Date:	Revisions:	HORIZONTAL SECTION DETAILS
Revised By:	Date:	Revisions:	ALUM. SLIDING GLASS DOOR, IMPACT
Drawn By:	Date:	Checked By:	Scale: Sheet
F.K.	5/1/07	E.B.	NTS 4 of 11
			Drawing No. 8100-11



1070 TECHNOLOGY DRIVE  
MCKINNAH, FL 34275  
P.O. BOX 1629  
MCKINNAH, FL 34274

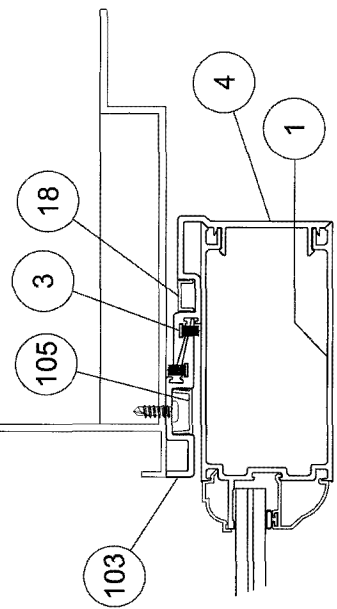
### DETAIL 'G' (FIXED PANEL "O")



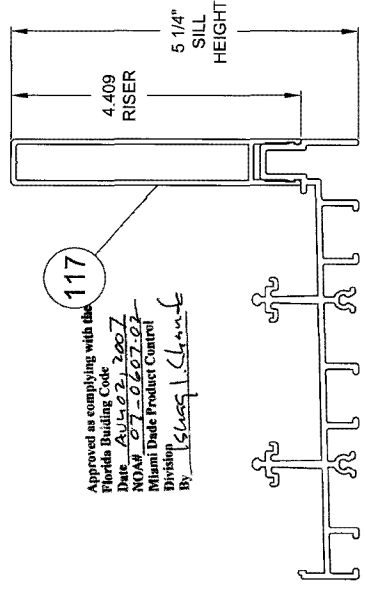
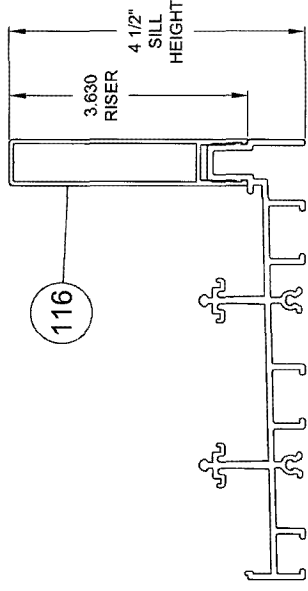
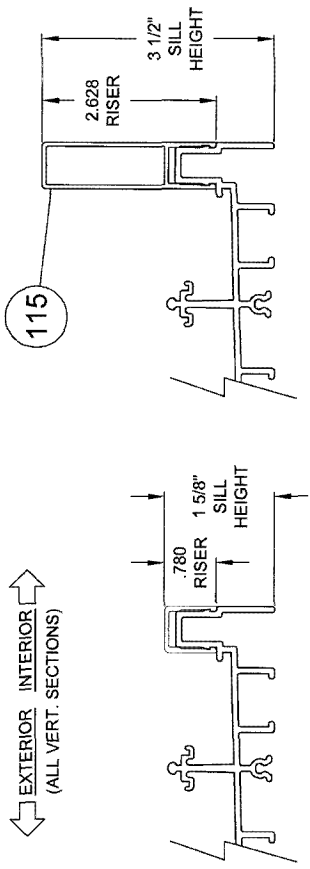
NOTE:  
12" LG. 'O' PANEL BRKT.  
LOCATED AT TOP &  
BOTTOM OF FIXED  
PANEL. ANCHORS ITEMS  
147 AND 149 LOCATED 1  
1/2" FROM EACH END OF  
BRACKET

INTERIOR  
(ALL HORIZ. SECTIONS)  
EXTERIOR

### DETAIL 'H' (POCKET CONDITION)



EXTERIOR INTERIOR  
(ALL VERT. SECTIONS)



Approved as complying with the  
Florida Building Code  
Date: July 2, 2007  
NOAA 07-0607.02  
Miami Dade Product Control  
Division  
By: Glenn I. Crane

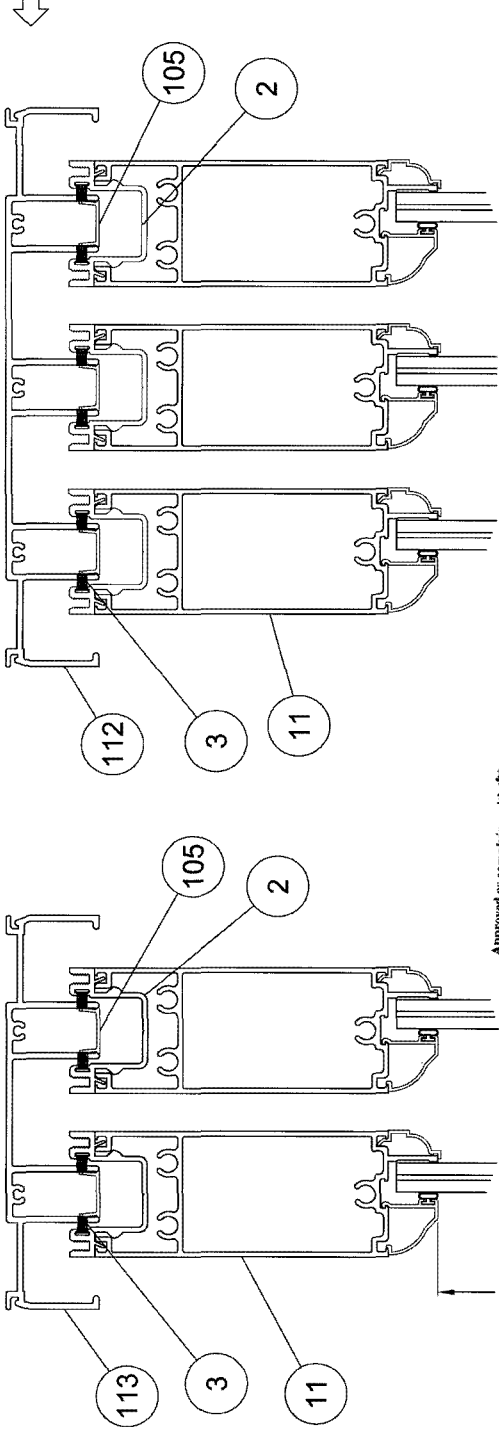
*Handwritten signature and date:*  
7/2/07

Lucas A. Turner, P.E.  
PE #63201  
Mechanical

### ALTERNATE SILL RISERS

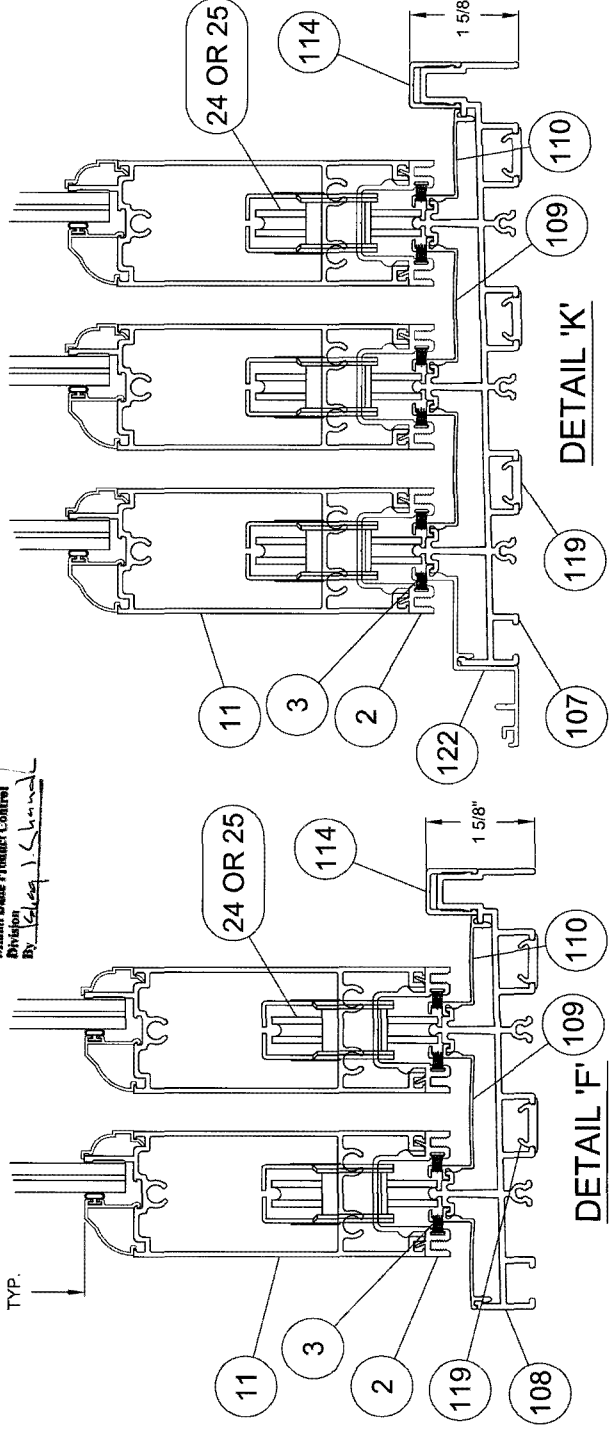
Revised By:	Date:	Revision:	1070 TECHNOLOGY DRIVE NOKOMIS, FL 34275
Revised By:	Date:	Revision:	P.O. BOX 1529 NOKOMIS, FL 34274
Revised By:	Date:	Revision:	
Drawn By:	Date:	Checked By:	
F.K.	5/1/07	E.B.	5/24/07
SGD780	NTS	5 of 11	8100-11
Scale:	Sheet:	Drawing No.	
5	NTS	8100-11	
HORIZ. SECTION DETAILS & ALT. SILL RISERS ALUM. SLIDING GLASS DOOR, IMPACT			

← EXTERIOR INTERIOR →  
(ALL VERT. SECTIONS)



Approved as complying with the  
Florida Building Code  
Spec. A1202.2, 2207  
NO. 01-2627-02  
Miami Dade Product Control  
Division  
By: *[Signature]*

106 5/8"  
MAX.  
D.I.O.  
TYP.



*[Handwritten initials]*  
7/10/07

Revised By:	Date:	Revisions:	Description: <b>VERTICAL SECTION DETAILS</b> Title: <b>ALUM. SLIDING GLASS DOOR, IMPACT</b> Sheet No.: 6 of 11 Drawing No.: 8100-11 Rev:
Revised By:	Date:	Revisions:	
Revised By:	Date:	Revisions:	
Revised By:	Date:	Revisions:	
Revised By:	Date:	Revisions:	
Drawn By:	Date:	Checked By:	 <b>PGI</b> Technology Drive Nokomis, FL 34275 P.O. Box 1529 Nokomis, FL 34274 Visibly Better
F.K.	5/1/07	E.B.	SGD780

Lucas A. Turner, P.E.  
PE #58201  
Mechanical

SGD780 PANEL PARTS

ITEM	DWG #	PGT #	Description
1	8012-5	68012 B/W	PANEL STYLE
2	8104-1	68104 B/W	STILE ADAPTER (FIXED AND LOCKING)
3	1644	61644G	WEATHERS TRIP, 270 X .187 W/ST 4PL4 GREY
4	8102-1	68102B B/W	INTERLOCK ADAPTER (LEFT AND RIGHT)
5	1224	61P247 (K)	WEATHER STRIP, VINYL BULB
11	8014A	68014A B/W	TOP RAIL / SMALL BOTTOM RAIL
12	8013B	68013B B/W	TALL BOTTOM RAIL
13	8103B	68103B B/W	SNAP RAIL ADAPTER
14	8101	68101	DOUBLE INTERLOCK
15	8105	68105	STRAIGHT BACK-UP PLATE
16	8107	68107	ASTRAGAL
17	8192	68192	INTERLOCK REINFORCEMENT
18	8195-2	68195 B/W	INTERLOCK SCREW COVER
19		716192LBOLT X	5/16" X 2" ST. ST. LAGBOLT
20		710X34PPSDAX	#10 X 3/4" TEK TIP PHIL PAN SCREW
21	1695	711695K	#10 X 3/4" WIDE X 1" LONG X 3/4" HIGH FIN SEAL DUST PLUGS
22	710X115RPPX		#10 X 1 1/2" PHIL PAN SHEET METAL SCREW
24	8153N	78153N	TANDEM NYLON ROLLER ASSEMBLY
25	8153X	78153X	INTERIOR BEAD
26	8022	68022 (B/W)	INTERIOR BEAD
28	8023A	68023A (B/W)	7/16 LAMINATED BEAD (OGEE STYLE)
30	8145	68145 (B/W)	9/16 LAMINATED BEAD (OGEE STYLE)
32	8146	68146 (B/W)	1 1/16 LAMINATED BEAD (OGEE STYLE)
40	8148	68148 (B/W)	9/16" SQUARE BEAD
42	8149	68149 (B/W)	1 1/16" IG SQUARE BEAD
44	8150	68150 (B/W)	7/16" SQUARE BEAD
46	1224	61P247 (K)	VINYL GLAZING BULB
47	1225	61P247 (K)	VINYL GLAZING BULB
48	1267	71267N	SETTING BLOCKS 1" X 1/2" X 1/8" THICK
49	1695	711695K	1 1/2" WIDE X 1" LONG X 3/4" HIGH FIN SEAL DUST PLUGS
50	8185	78185X	GEMINI LOCK W/ LONG TRIM PLATE
52		71032X1FFPX	10-32 X 1" LONG LAMINATING SS SCREW W/TYP "F" TIP
53		7103239	3/8" STEEL ZINC UNATH
54			SILICONE DOW CORNING 899, 996
70	GLASS, 7/16 LAMI	(3/16HS+ .060 SGP+3/16HS)	
71	GLASS, 1 1/16 LAMI	(1/16 LAMI (G. - 3/16 (1/2 AIRSPACE)-7/16 LAMI (3/16HS+ .060 SGP+3/16HS)	
72	6DURAK516		5/16 DURASEAL IG SPACER
73	6DURAK38		3/8 DURASEAL IG SPACER

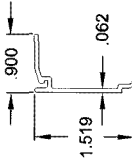
SGD780 FRAME PARTS

ITEM	DWG #	PGT #	Description
101	8133	68133W/B	3 TRACK JAMB
102	8134	68134W/B	2 TRACK JAMB
103	8108	68108 B/W	P-HOOK
104	8109	68109 B/W	P-HOOK MOUNT
105	8136	68136W/B	FRAME SCREW COVER
107	8116	68116A	3 TRACK SILL
108	8118	68118A	2 TRACK SILL
109	8115	68115A	MID SILL COVER
110	8117	68117A	INT-EXT SILL COVER
111	8124A	68124A W/B	3 TRACK SINGLE HEAD
112	8127A	68127A W/B	2 TRACK SINGLE HEAD
113	8127A	68127A W/B	2 TRACK SINGLE HEAD
114	8140	68140A	SILL RISER "O" WATER 1 5/8"
115	8138	68138A	SILL RISER LOW 3 1/2"
116	8137	68137A	SILL RISER MED 4 1/2"
117	8182	68182A	SILL RISER HIGH WATER 5 1/4"
119	8183	68183	SILL MOUNTING STRIP
120	8128A	68128A	2 TRACK SINGLE HEAD W/ SCREEN
121	8135	68135	2 TRACK SINGLE JAMB W/ SCREEN
122	8119	68119	EXT SILL COVER W/ SCREEN

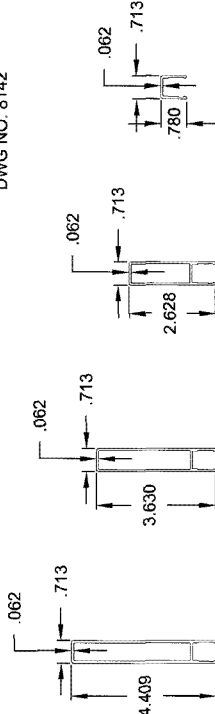
SGD780 KIT PARTS

ITEM	DWG #	PGT #	Description
125		781PQA	#6 X 1 TYPE A TWINFAST THREAD
126	1270	78PAD118	PAD, OPEN-CELL FOAM ADHESIVE (1/2 X 1 1/8)
127	653	7SDKEEP	BOX SCREEN LOCK KEEPER
128	1179	710X34PPSDAX	#10 X 3/4" PHILLIPS PAN HEAD TEK SS
129	727	41818K	SCREEN KEEPER SPACER SET
130	947	417287K.S	ROLLER ADJUSTMENT HOLE PLUG
131		72087K	BLACK BUMPER (FRAME JAMB)
132		7638PPAX	#6 X 3/8" PHILLIPS PAN HEAD 18-8 SS
134	1155	781PQX	#6 X 1" LONG COMBO SQ/PHILLIPS SCREW 18-8 SS
135	1696	71696G	1 5/8"W X 3/4" X 7/8"H FIN SEAL DUST PLUGS
			SGD780 KIT PARTS, ADD-ONS
141	4385	71164W K.S	4 HOLE BUMPER STOP
142		78X38PPTX	#6 X 3/8" PAN PHILLIPS TEK SCREW
143	1270	78PAD118	PAD, OPEN-CELL FOAM ADHESIVE (1/2 X 1 1/8)
147		710X34PPSDAX	#10 X 3/4" TEK TIP PHIL PAN SCREW
148	8193	68193	TOP PANEL BRACKET -12" LONG
149		78X50PPTX	#6 X 1/2" PAN PHILLIPS TEK SCREW
150	8157	78157K	HANDLE KIT IN-ACTIVE SATIN WHITE
151	8158	78158W	HANDLE KIT IN-ACTIVE SATIN NICKEL PVD
152	8159	78159SN	HANDLE KIT IN-ACTIVE SATIN NICKEL PVD
153	8177	78177B	HANDLE KIT IN-ACTIVE BRASS PVD
154	8160	78160K	HANDLE KIT ACTIVE NON-KEYED BLACK
155	8161	78161W	HANDLE KIT ACTIVE NON-KEYED SATIN WHITE
156	8162	78162SN	HANDLE KIT ACTIVE NON-KEYED SATIN NICKEL PVD
157	8178	78178B	HANDLE KIT ACTIVE NON-KEYED BRASS PVD
158	8163	78163K	HANDLE KIT ACTIVE KEYED BLACK
159	8164	78164W	HANDLE KIT ACTIVE KEYED SATIN WHITE
160	8165	78165SN	HANDLE KIT ACTIVE KEYED SATIN NICKEL PVD
161	8179	78179B	HANDLE KIT ACTIVE KEYED BRASS PVD
170	8186	78186X	1" KEEPER
180	8142	68142	SCREEN JAMB-HD ADAPTER

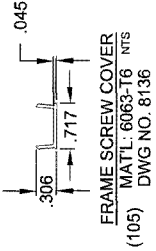
Approved as complying with the Florida Building Code, Chapter 6, Part 905.2.2, Miami-Dade Product Control Division  
 By: [Signature]



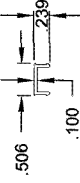
SCREEN JAMB-HD ADAPTER  
 (180) DWG NO. 8142



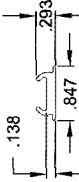
SILL RISER - HIGH (117) MAT'L: 6063-T6 DWG NO. 8182  
 SILL RISER - MEDIUM (116) MAT'L: 6063-T6 DWG NO. 8138  
 SILL RISER - LOW (115) MAT'L: 6063-T6 DWG NO. 8138  
 SILL RISER - 0 (114) MAT'L: 6063-T6 DWG NO. 8140



FRAME SCREW COVER  
 (105) MAT'L: 6063-T6 NTS  
 DWG NO. 8136



INTERLOCK TRIM COVER  
 (18) MAT'L: 6063-T6 NTS  
 DWG NO. 8156

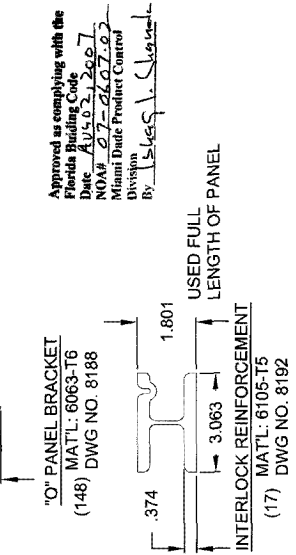
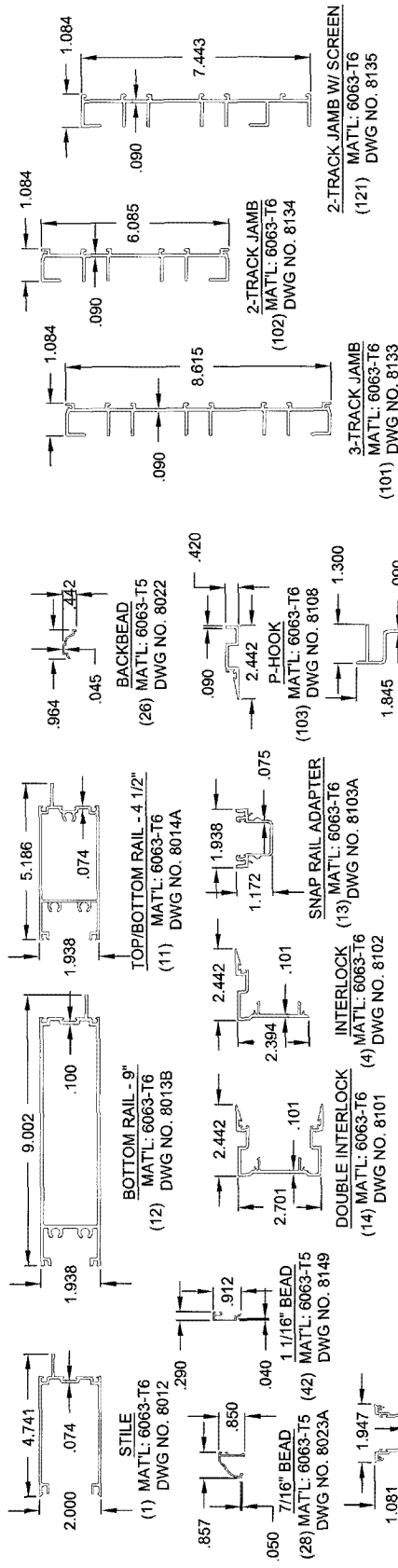


SILL MOUNTING STRIP  
 (119) MAT'L: 6063-T6 NTS  
 DWG NO. 8183

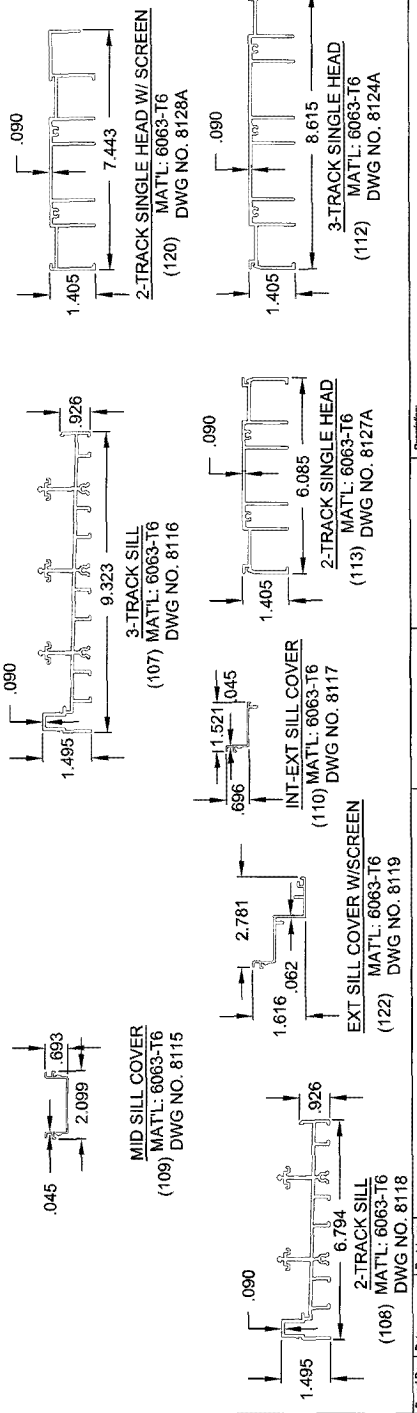
Handwritten signature and date: 7/12/07

Lucas A. Turner, P.E.  
 PE #65201

Revised By: Date:	Revised By: Date:	Revised By: Date:	Revised By: Date:	Checked By: Date:
F.K.	5/1/07	E.B.	5/24/07	
<p>1070 TECHNOLOGY DRIVE                  NOKOMIS, FL 34275                  P.O. BOX 1529                  NOKOMIS, FL 34274</p> <p><b>PGI</b>                  Visibly Better</p>				
<p>Parts List &amp; Extrusions                  ALUM. SLIDING GLASS DOOR, IMPACT</p>				
Scale:	Sheet:	Drawn No.:	Rev.:	
1/4	7 of 11	SGD780	8100-11	



Approved as complying with the Florida Building Code  
 Date: August 2, 2007  
 NOAH 07-26407-02  
 Miami Date Product Control  
 Division  
 By: [Signature]



Revised By:	Date:	Revision:	Revised By:	Date:	Revision:
Drawn By:	Date:	Checked By:	Date:	Checked By:	Date:
F.K.	5/1/07	E.B.	5/24/07		
<b>PGI</b> Visibly Better					
Description: <b>EXTRUSIONS</b> Title: <b>ALUM. SLIDING GLASS DOOR, IMPACT</b>					
Scale:	Sheet:	Drawing No.	Rev:		
1/4	8 of 11	8100-11			
1070 TECHNOLOGY DRIVE NOKOMIS, FL 34275 P.O. BOX 1559 NOKOMIS, FL 34274					

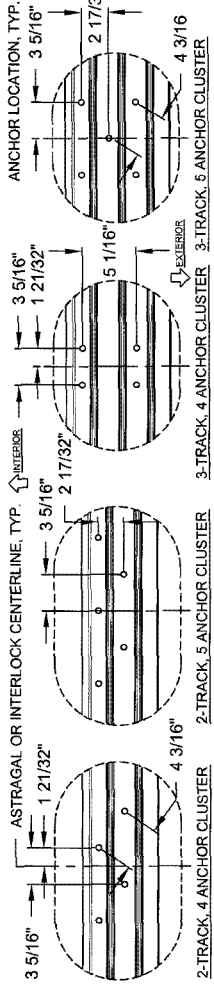
[Handwritten Signature]  
7/12/07

Lucas A. Turner, P.E.  
 PE #5201  
 Mechanical

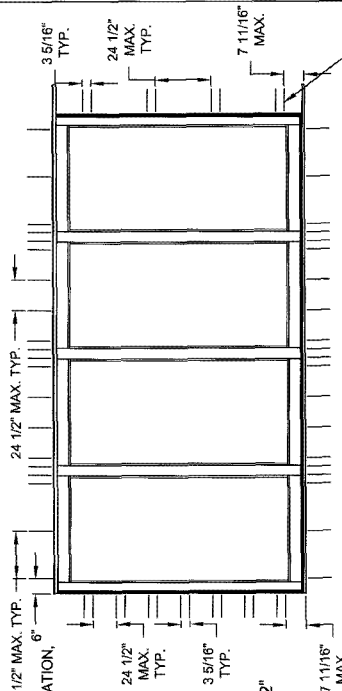
**HVHZ ANCHORAGE REQUIREMENTS NOTES:**

- APPROVED ANCHOR TYPES: 1) 1/4" ELCO TAPCON 2) 1/4" ELCO SS4 CRETE-FLEX 3) #12 STEEL SCREW (GS)
- ANCHOR LOCATION SPACING:  
 HEAD & SILL..... 6" MAX. FROM FRAME CORNERS. USE SPECIFIED CLUSTER FROM TABLE 2 AT EACH INTERLOCK AND ASTRAGAL LOCATION, PLUS SPECIFIED QUANTITY OF ADDITIONAL ANCHORS PER PANEL (THE 6" FROM CORNER ANCHORS ARE INCLUDED).  
 ADDITIONAL ANCHORS 24" MAX. ON CENTER. SEE EXAMPLE CLUSTER CONFIGURATIONS BELOW.

JAMBS & P-HOOKS... 7 11/16" MAX. FROM BOTTOM AND 24 1/2" MAX. O.C. UTILIZING ANCHOR QUANTITIES FROM TABLE 2.  
 SEE P-HOOK ANCHOR DETAILS ON SHEET 11.



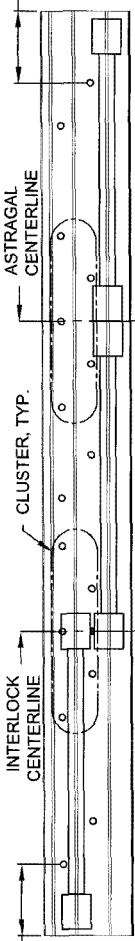
**EXAMPLE HEAD & SILL CLUSTERS**



**EXAMPLE ANCHORAGE - 4 PANEL 2 TRACK 48X96 PANELS ANCH. TYPE 1-H&S C4+2, JAMBS 14, P-HOOK 8**  
 P-HOOK: FIRST ANCHOR TO BE PERPENDICULAR TO GLASS.  
 ANCHORS THEREAFTER ALTERNATE PERPENDICULAR AND PARALLEL TO GLASS. SEE SHEET 11, P-HOOK INSTALL DETAIL.

**TABLE 2. ANCHORAGE - HEAD & SILL (H&S) INTERLOCK & ASTRAGAL CLUSTER PLUS ANCHOR QUANTITY PER PANEL, OUTSIDE CLUSTER ANCHOR**

SUBSTRATE	DOOR HEIGHT															
	80" (6 <sup>5</sup> )	84" (7 <sup>4</sup> )	90" (7 <sup>5</sup> )	96" (8 <sup>0</sup> )	102" (8 <sup>5</sup> )	108" (9 <sup>0</sup> )	114" (9 <sup>5</sup> )	120" (10 <sup>0</sup> )	PANELS UNDER 24" WIDE NOT AVAILABLE OVER 96" HIGH							
NOML. PANEL WIDTH	24" (2 <sup>5</sup> )		30" (2 <sup>5</sup> )		36" (3 <sup>5</sup> )		42" (3 <sup>5</sup> )		48" (4 <sup>5</sup> )		36" (3 <sup>5</sup> )		42" (3 <sup>5</sup> )		48" (4 <sup>5</sup> )	
FRAME SIDE	H&S	P-HOOK	H&S	P-HOOK	H&S	P-HOOK	H&S	P-HOOK	H&S	P-HOOK	H&S	P-HOOK	H&S	P-HOOK	H&S	P-HOOK
1. CONC	2	1	2	1	2	1	2	1	2	1	2	1	2	1	2	1
2. CONC	2	2	2	2	2	2	2	2	2	2	2	2	2	2	2	2
3. WOOD	2	2	2	2	2	2	2	2	2	2	2	2	2	2	2	2
4. CONC	1	1	1	1	1	1	1	1	1	1	1	1	1	1	1	1
5. WOOD	1	1	1	1	1	1	1	1	1	1	1	1	1	1	1	1
6. WOOD	1	1	1	1	1	1	1	1	1	1	1	1	1	1	1	1
7. WOOD	1	1	1	1	1	1	1	1	1	1	1	1	1	1	1	1
8. WOOD	1	1	1	1	1	1	1	1	1	1	1	1	1	1	1	1
9. WOOD	1	1	1	1	1	1	1	1	1	1	1	1	1	1	1	1
10. WOOD	1	1	1	1	1	1	1	1	1	1	1	1	1	1	1	1
11. WOOD	1	1	1	1	1	1	1	1	1	1	1	1	1	1	1	1
12. WOOD	1	1	1	1	1	1	1	1	1	1	1	1	1	1	1	1
13. WOOD	1	1	1	1	1	1	1	1	1	1	1	1	1	1	1	1
14. WOOD	1	1	1	1	1	1	1	1	1	1	1	1	1	1	1	1
15. WOOD	1	1	1	1	1	1	1	1	1	1	1	1	1	1	1	1
16. WOOD	1	1	1	1	1	1	1	1	1	1	1	1	1	1	1	1
17. WOOD	1	1	1	1	1	1	1	1	1	1	1	1	1	1	1	1
18. WOOD	1	1	1	1	1	1	1	1	1	1	1	1	1	1	1	1
19. WOOD	1	1	1	1	1	1	1	1	1	1	1	1	1	1	1	1
20. WOOD	1	1	1	1	1	1	1	1	1	1	1	1	1	1	1	1



"ANCHORS PER PANEL" ARE THOSE AT THE HEAD AND SILL BETWEEN CLUSTERS OR THOSE BETWEEN A CLUSTER AND A FRAME JAMB.

**C5+2 HEAD & SILL ANCHORAGE (3 PANEL, 2-TRACK EXAMPLE SHOWN) = (16) ANCHORS TOTAL**

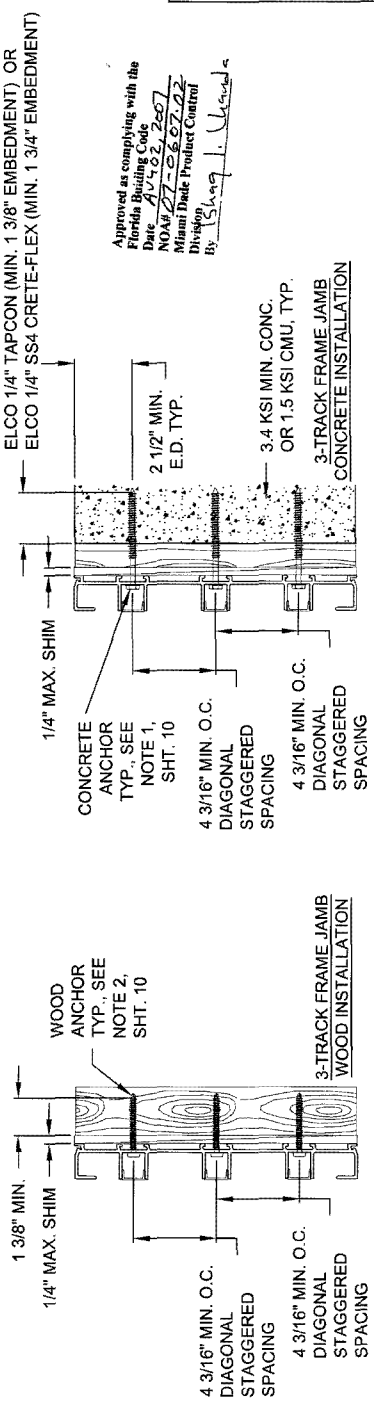
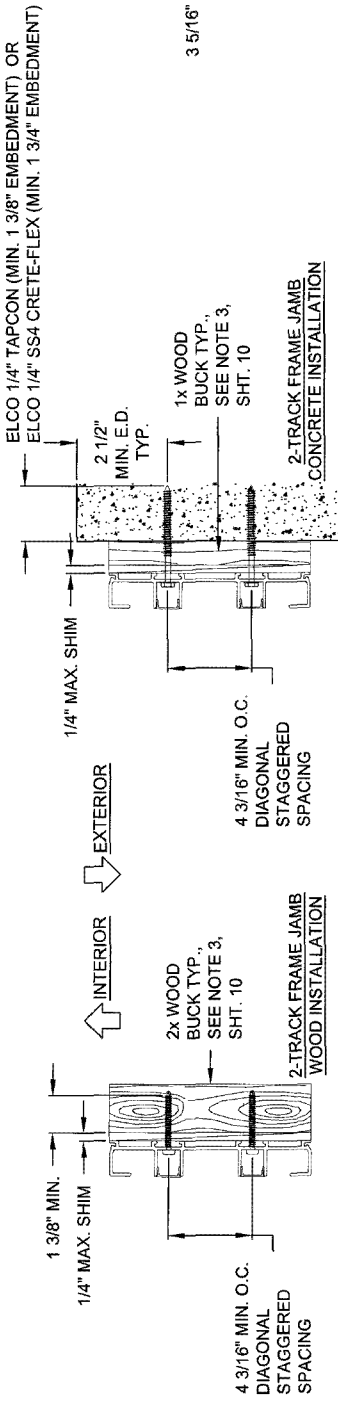
Approved as complying with the Florida Building Code  
 Date: 4/16/2007  
 NO. 07-0662-D2  
 Miami Dade Product Control Division  
 By: J. L. Lande

Handwritten signature and date: 7/12/07

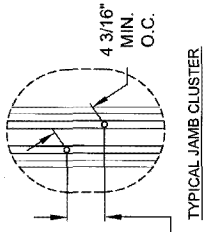
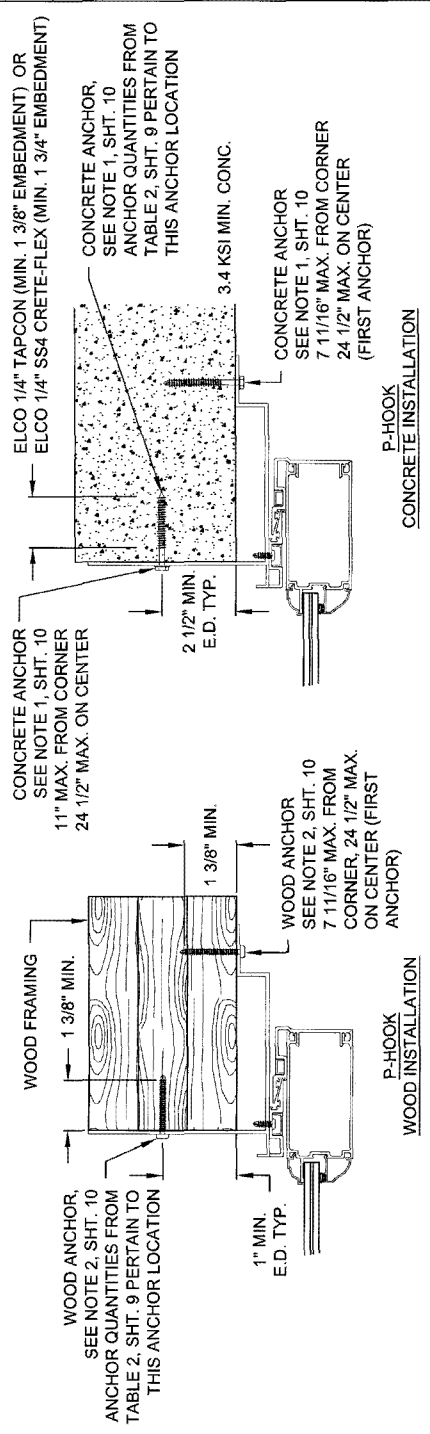
Lucas A. Turner, P.E.  
 PE #58201  
 Mechanical

Revised By:	Date:	Revisions:
Revised By:	Date:	Revisions:
Revised By:	Date:	Revisions:
Drawn By:	Date:	Checked By:
F.K.	5/1/07	E.B.
Scale:	Sheet:	Drawings No.:
NTS	9 of 11	8100-11
Product Code:	SGD780	
Manufacturer:	PGI	Visible Better
Address:	1070 TECHNOLOGY DRIVE NOKOMIS, FL 34275 P.O. BOX 1529 NOKOMIS, FL 34274	
Description:	ANCHORAGE TYPES, SPACING AND QUANTITY	
Title:	ALUM. SLIDING GLASS DOOR, IMPACT	





Approved as complying with the Florida Building Code  
 NO. 13 02 2007  
 Miami Code Product Control  
 By: [Signature]



[Signature]  
 7/12/07

Lucas A. Turner, P.E.  
 PE #58201  
 Mechanical

Revised By:	Date:	Revisions:
Revised By:	Date:	Revisions:
Revised By:	Date:	Revisions:
Drawn By:	Date:	Checked By:
F.K.	5/1/07	E.B.
SGD/780	NTS	11 of 11
Sheet:	8100-11	Drawing No.
<b>ANCHORAGE DETAILS</b> <b>ALUM. SLIDING GLASS DOOR, IMPACT</b>		
1070 TECHNOLOGY DRIVE NOKOMIS, FL 34275 P.O. BOX 1629 NOKOMIS, FL 34274		
<b>PGI</b> Visibly Better		