

MIAMI-DADE COUNTY
BUILDING CODE COMPLIANCE OFFICE (BCCO)
PRODUCT CONTROL DIVISION

MIAMI-DADE COUNTY, FLORIDA
METRO-DADE FLAGLER BUILDING
140 WEST FLAGLER STREET, SUITE 1603

MIAMI, FLORIDA 33130-1563

(305) 375-2901 FAX (305) 372-6339

NOTICE OF ACCEPTANCE (NOA)

www.maimidade.gov/buildingcode

PGT Industries
1070 Technology Drive
Nokomis, FL 34274

SCOPE:

This NOA is being issued under the applicable rules and regulations governing the use of construction materials. The documentation submitted has been reviewed by Miami-Dade County Product Control Division and accepted by the Board of Rules and Appeals (BORA) to be used in Miami Dade County and other areas where allowed by the Authority Having Jurisdiction (AHJ).

This NOA shall not be valid after the expiration date stated below. The Miami-Dade County Product Control Division (In Miami Dade County) and/or the AHJ (in areas other than Miami Dade County) reserve the right to have this product or material tested for quality assurance purposes. If this product or material fails to perform in the accepted manner, the manufacturer will incur the expense of such testing and the AHJ may immediately revoke, modify, or suspend the use of such product or material within their jurisdiction. BORA reserves the right to revoke this acceptance, if it is determined by Miami-Dade County Product Control Division that this product or material fails to meet the requirements of the applicable building code.

This product is approved as described herein, and has been designed to comply with the Florida Building Code, including the High Velocity Hurricane Zone.

DESCRIPTION: Series C-740 Outswing Aluminum Casement Window -L.M.I.

APPROVAL DOCUMENT: Drawing No. **7045-8**, titled "Aluminum Casement Window, Impact", sheets 1 through 13 of 13, dated 12/17/02 with revision "D" dated 06/23/05, prepared by manufacturer, signed and sealed by Lucas A. Turner, P.E., bearing the Miami-Dade County Product Control Renewal stamp with the Notice of Acceptance number and expiration date by the Miami-Dade County Product Control Division.

MISSILE IMPACT RATING: Large Missile Impact Resistant

LABELING: Each unit shall bear a permanent label with the manufacturer's name or logo, city, state and following statement: "Miami-Dade County Product Control Approved", unless otherwise noted herein.

RENEWAL of this NOA shall be considered after a renewal application has been filed and there has been no change in the applicable building code negatively affecting the performance of this product.

TERMINATION of this NOA will occur after the expiration date or if there has been a revision or change in the materials, use, and/or manufacture of the product or process. Misuse of this NOA as an endorsement of any product, for sales, advertising or any other purposes shall automatically terminate this NOA. Failure to comply with any section of this NOA shall be cause for termination and removal of NOA.

ADVERTISEMENT: The NOA number preceded by the words Miami-Dade County, Florida, and followed by the expiration date may be displayed in advertising literature. If any portion of the NOA is displayed, then it shall be done in its entirety.

INSPECTION: A copy of this entire NOA shall be provided to the user by the manufacturer or its distributors and shall be available for inspection at the job site at the request of the Building Official.

This NOA **renews NOA # 05-1129.11** and consists of this page 1 and evidence pages E-1 and E-2, as well as approval document mentioned above.

The submitted documentation was reviewed by **Manuel Perez, P.E.**



NOA No. 08-0117.11
 Expiration Date: May 22, 2013
 Approval Date: May 15, 2008
 Page 1

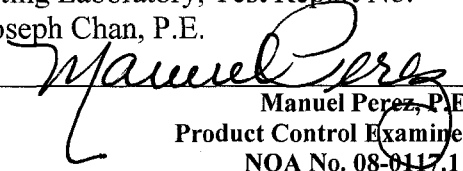
NOTICE OF ACCEPTANCE: EVIDENCE SUBMITTED

A. DRAWINGS

1. Manufacturer's die drawings and sections.
2. Drawing No. **7045-8**, titled "Aluminum Casement Window, Impact", sheets 1 through 13 of 13, dated 12/17/02 with revision "**D**" dated 06/23/05, prepared by manufacturer, signed and sealed by Lucas A. Turner, P.E.

B. TESTS

1. Test reports on 1) Uniform Static Air Pressure Test, Loading per FBC, TAS 202-94
2) Large Missile Impact Test per FBC, TAS 201-94
3) Cyclic Wind Pressure Loading per FBC, TAS 203-94
along with marked-up drawings and installation diagram of two outswing aluminum casement windows, prepared by Fenestration Testing Laboratory, Test Report No. **FTL 4608** dated 05/10/05, signed and sealed by Edmundo Largaespada, P.E.
(Submitted under NOA# 05-1129.11)
2. Test reports on 1) Air Infiltration Test, per FBC, TAS 202-94
2) Uniform Static Air Pressure Test, Loading per FBC, TAS 202-94
3) Water Resistance Test, per FBC, TAS 202-94
4) Large Missile Impact Test per FBC, TAS 201-94
5) Cyclic Wind Pressure Loading per FBC, TAS 203-94
6) Forced Entry Test, per FBC 2411 3.2.1 and TAS 202-94
along with marked-up drawings and installation diagram of two outswing aluminum casement windows, prepared by Fenestration Testing Laboratory, Test Report No. **FTL 4607** dated 05/10/05, signed and sealed by Edmundo Largaespada, P.E.
(Submitted under NOA# 05-1129.11)
3. Test reports on 1) Uniform Static Air Pressure Test, Loading per FBC, TAS 202-94
2) Large Missile Impact Test per FBC, TAS 201-94
3) Cyclic Wind Pressure Loading per FBC, TAS 203-94
along with marked-up drawings and installation diagram of two outswing aluminum casement windows, prepared by Fenestration Testing Laboratory, Test Report No. **FTL 3729** dated 2/28/03, signed and sealed by Joseph Chan, P.E.
(Submitted under NOA# 03-0611.02)
4. Test reports on 1) Air Infiltration Test, per FBC, TAS 202-94
2) Uniform Static Air Pressure Test, Loading per FBC, TAS 202-94
3) Water Resistance Test, per FBC, TAS 202-94
4) Large Missile Impact Test per FBC, TAS 201-94
5) Cyclic Wind Pressure Loading per FBC, TAS 203-94
6) Forced Entry Test, per FBC 2411 3.2.1 and TAS 202-94
along with marked-up drawings and installation diagram of two outswing aluminum casement windows, prepared by Fenestration Testing Laboratory, Test Report No. **FTL 3587** dated 10/8/02, signed and sealed by Joseph Chan, P.E.
(Submitted under NOA# 03-0611.02)


Manuel Perez, P.E.
Product Control Examiner
NOA No. 08-0117.11
Expiration Date: May 22, 2013
Approval Date: May 15, 2008

NOTICE OF ACCEPTANCE: EVIDENCE SUBMITTED

5. Test reports on: 1) Air Infiltration Test, per FBC, TAS 202-94
2) Uniform Static Air Pressure Test, Loading per FBC, TAS 202-94
3) Water Resistance Test, per FBC, TAS 202-94
4) Large Missile Impact Test per FBC, TAS 201-94
5) Cyclic Wind Pressure Loading per FBC, TAS 203-94
6) Forced Entry Test, per FBC 2411 3.2.1 and TAS 202-94
along with marked-up drawings and installation diagram of one outswing aluminum casement window, prepared by Fenestration Testing Laboratory, Test Report No. **FTL 3582** dated 10/3/02, signed and sealed by Joseph Chan, P.E.
(Submitted under NOA# 03-0611.02)
6. Test reports on: 1) Air Infiltration Test, per FBC, TAS 202-94
2) Uniform Static Air Pressure Test, Loading per FBC, TAS 202-94
3) Water Resistance Test, per FBC, TAS 202-94
4) Large Missile Impact Test per FBC, TAS 201-94
5) Cyclic Wind Pressure Loading per FBC, TAS 203-94
6) Forced Entry Test, per FBC 2411 3.2.1 and TAS 202-94
along with marked-up drawings and installation diagram of three aluminum outswing casement windows, prepared by Fenestration Testing Laboratory, Test Report No. **FTL 3580** dated 10/3/02, signed and sealed by Joseph Chan, P.E.
(Submitted under NOA# 03-0611.02)

C. CALCULATIONS

1. Revised Anchor Calculations and structural analysis, prepared by manufacturer, dated 11/21/05, signed and sealed by Lucas A. Turner, P.E. **Complies w/ASTM E 1300-98**

D. QUALITY ASSURANCE

1. Miami Dade Building Code Compliance Office (BCCO).

E. MATERIAL CERTIFICATIONS

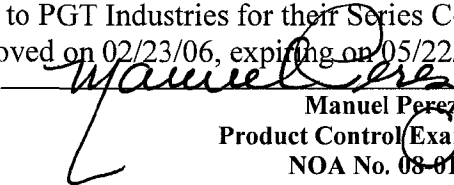
1. Notice of Acceptance No. **05-1208.02** issued to E.I. DuPont DeNemours & Co., Inc. for their "**DuPont Butacite PVB Interlayer**" dated 01/05/06, expiring on 12/11/10.
2. Notice of Acceptance No. **06-0216.06** issued to Solutia Inc. for their "**Saflex III G Clear or colored Interlayer**" dated 05/04/06, expiring on 05/21/11.

F. STATEMENTS

1. Statement letter of conformance, dated 12/19/02, signed and sealed by Robert L. Clark, P.E.
2. Statement letter of no financial interest, dated 12/19/02, signed and sealed by Robert L. Clark, P.E.

G. OTHER

1. Notice of Acceptance No. **05-1129.11**, issued to PGT Industries for their Series C-740 Aluminum Casement Window – L.M.I., approved on 02/23/06, expiring on 05/22/08.


Manuel Perez, P.E.
Product Control Examiner
NOA No. 08-0117.11
Expiration Date: May 22, 2013
Approval Date: May 15, 2008

NOTES: LARGE MISSILE WINDOWS

1. GLAZING OPTIONS:

- A. 5/16" LAMINATED GLASS COMPRISED OF (1) LITE OF 1/8" ANNEALED GLASS AND (1) LITE OF 1/8" HEAT STRENGTHENED GLASS W/ AN .090 INTERLAYER OF SOLUTIA OR DUPONT PVB.
- B. 5/16" LAMINATED GLASS COMPRISED OF (2) LITES OF 1/8" HEAT STRENGTHENED GLASS W/ AN .090 INTERLAYER OF SOLUTIA OR DUPONT PVB.
- C. 7/16" LAMINATED GLASS COMPRISED OF (1) LITE OF 3/16" ANNEALED GLASS AND (1) LITE OF 3/16" HEAT STRENGTHENED GLASS W/ AN .090 INTERLAYER OF SOLUTIA OR DUPONT PVB.
- D. 7/16" LAMINATED GLASS COMPRISED OF (2) LITES OF 3/16" HEAT STRENGTHENED GLASS W/ AN .090 INTERLAYER OF SOLUTIA OR DUPONT PVB.
- E. 13/16" I.G. GLASS COMPRISED OF (1) LITE OF 1/8" HEAT STRENGTHENED GLASS AND (1) 5/16" LAMINATED COMPONENT WITH A 3/8" AIR SPACE. 5/16" LAMINATED GLASS COMPRISED OF (2) LITES OF 1/8" HEAT STRENGTHENED GLASS WITH AN .090 SOLUTIA OR DUPONT PVB INTERLAYER.
- F. 13/16" I.G. GLASS COMPRISED OF (1) LITE OF 1/8" ANNEALED GLASS AND (1) 7/16" LAMINATED COMPONENT WITH AN AIR SPACE. 7/16" LAMINATED GLASS COMPRISED OF (1) LITE OF 3/16" HEAT STRENGTHENED GLASS WITH AN .090 SOLUTIA OR DUPONT PVB INTERLAYER.
- G. 13/16" I.G. GLASS COMPRISED OF (1) LITE OF 1/8" ANNEALED GLASS AND (1) 7/16" LAMINATED COMPONENT WITH AN AIR SPACE. 7/16" LAMINATED GLASS COMPRISED OF (2) LITES OF 3/16" HEAT STRENGTHENED GLASS WITH AN .090 SOLUTIA OR DUPONT PVB INTERLAYER.

2. CONFIGURATIONS: X, XX, XO, OX, XOX AND O

3. DESIGN PRESSURE RATINGS / COMPARATIVE ANALYSIS TABLES:

- A. NEGATIVE DESIGN LOADS BASED ON TESTED PRESSURE AND GLASS TABLES ASTM E 1300-98.
- B. POSITIVE DESIGN LOADS BASED ON WATER TEST PRESSURE AND GLASS TABLES ASTM E 1300-98.
- C. DESIGN PRESSURES UNDER 40 P.S.F. NOT APPLICABLE IN MIAMI-DADE COUNTY.
- D. FOR "X" CONFIGURATIONS SEE SHEET 5.
- E. FOR "XX" CONFIGURATIONS SEE SHEET 6.
- F. FOR "XOX" & "OX" CONFIGURATIONS SEE SHEET 7.
- G. FOR "XOX" & "XO" OR "OX" CONFIGURATIONS SEE SHEET 8.
- H. FOR UNEQUAL LITE "XOX", "XO" & "OX" CONFIGURATIONS SEE SHEET 9.

4. ANCHORAGE: THE 33 1/3% STRESS INCREASE HAS NOT BEEN USED IN THE DESIGN OF THIS PRODUCT. SEE SHEETS 3, 4 AND 13 FOR ADDITIONAL ANCHORAGE INFORMATION.

HEAD & SILL: MAX. 4" FROM CORNERS

- MAX. 4" & 7" ON EACH SIDE OF MEETING RAILS
- MAX. 14 1/2" SPACING ON VENTS
- MAX. 13" SPACING ON FIXED LITES
- (2) ANCHORS 3" APART AT MID-SPAN ON FIXED LITE ONLY
- MAX. 4" FROM CORNERS
- MAX. 13" SPACING
- (2) ANCHORS 3" APART AT MID-SPAN

JAMBS:

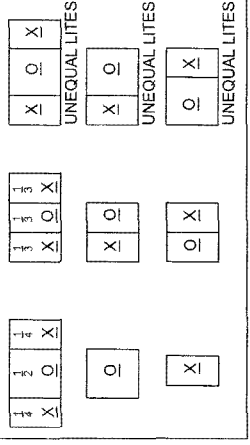
- SEE SHEET 13 FOR APPROVED ANCHORS. 1/4" TAPCONS OR 1/4" SS4 CRETE-FLEX MAY BE USED IN CONCRETE OR WOOD APPLICATIONS TO ACHIEVE THE DESIGN PRESSURES SHOWN IN SHEETS 5 THROUGH 9. SEE SHEETS 5 THROUGH 9 FOR DESIGN PRESSURE LIMITATIONS WHEN ANCHORING WITH #12 SCREWS.

5. SHUTTER REQUIREMENT: NONE REQUIRED

6. NARROW JOINT SEALANT IS USED ON ALL FOUR CORNERS OF THE FRAME.

7. REFERENCE TEST REPORTS: FTL-3580, FTL-3582, FTL-3729, FTL-3587, FTL-4607 AND FTL-4608.

CONFIGURATIONS OPTIONS



NOA DRAWING TABLE OF CONTENTS SHEET

- NOTES..... 1
- GLAZING DETAILS..... 2
- ELEVATIONS..... 3-4
- DESIGN PRESSURE TABLES..... 5-9
- SECTIONS..... 10
- CORNER CONSTRUCTION..... 11
- EXTRUSION PROFILES..... 11-12
- PARTS LIST..... 12
- ANCHORAGE..... 1,3,4,13

PRODUCT REVISED
 Revisions made for Florida Building Code
 Approved by OS-1129 JJ
 Expiration Date 05/22/06
 By: [Signature]
 Title: [Title]

PRODUCT REVISED
 Revisions made for Florida Building Code
 Approved by OS-0117-JJ
 Expiration Date MAY 22 2013
 By: [Signature]
 Title: [Title]

[Handwritten Signature]
 1/12/05

Lucas A. Turner, P.E.
 PE #9201
 Mechanical

NOTES AND TABLE OF CONTENTS

FOR
ALUMINUM CASEMENT WINDOW, IMPACT

Scale: NTS Sheet 1 of 13 Drawing No: 7045-8 Rev: D



1070 TECHNOLOGY DRIVE
 NOKOMIS, FL 34276
 P.O. BOX 1629
 NOKOMIS, FL 34274

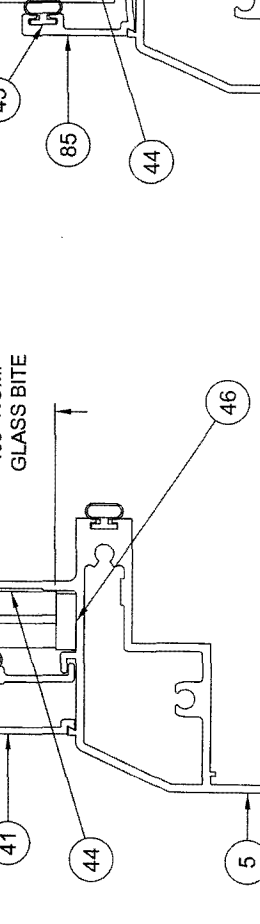
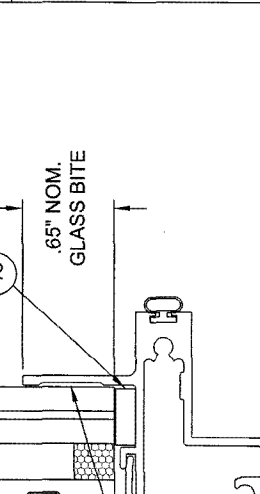
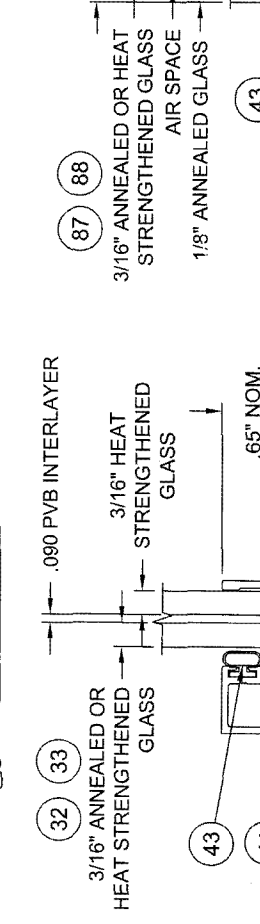
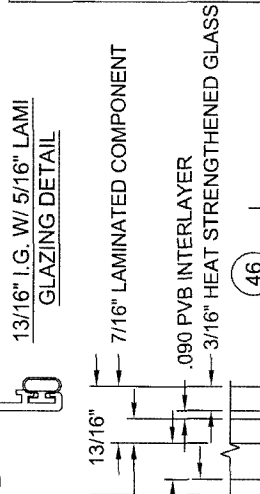
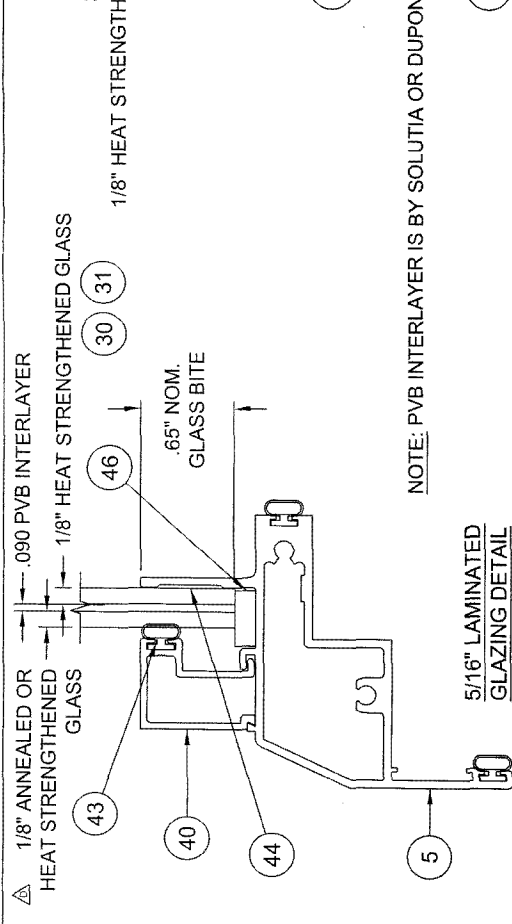
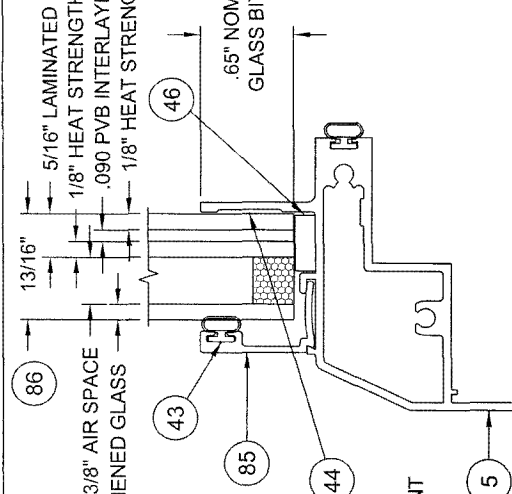
Revised By:	Date:	Revisions:
F.K.	3/25/03	B ADD 13/16" I.G. & MOVE GLAZING DETAILS TO SHEET 2
F.K.	7/10/03	C NO CHANGE THIS SHEET
F.K.	8/22/05	D ADD 76" HT. GLASS TYPES F AND G. REVISE ANCHORAGE.
Checked By:	Date:	Created By:
F.K.	12/17/02	

PRODUCT REVIEWED
 as complying with the Florida Building Code
 Amendments No. 05-1124.11
 Effective Date 05-22-108
 [Signature]
 Mechanical Trade Professional
 Division

PRODUCT REVIEWED
 as complying with the Florida Building Code
 Amendments No. 05-1124.11
 Effective Date 05-22-108
 [Signature]
 Mechanical Trade Professional
 Division

08:017.11
 MAY 22 2013
 [Signature]

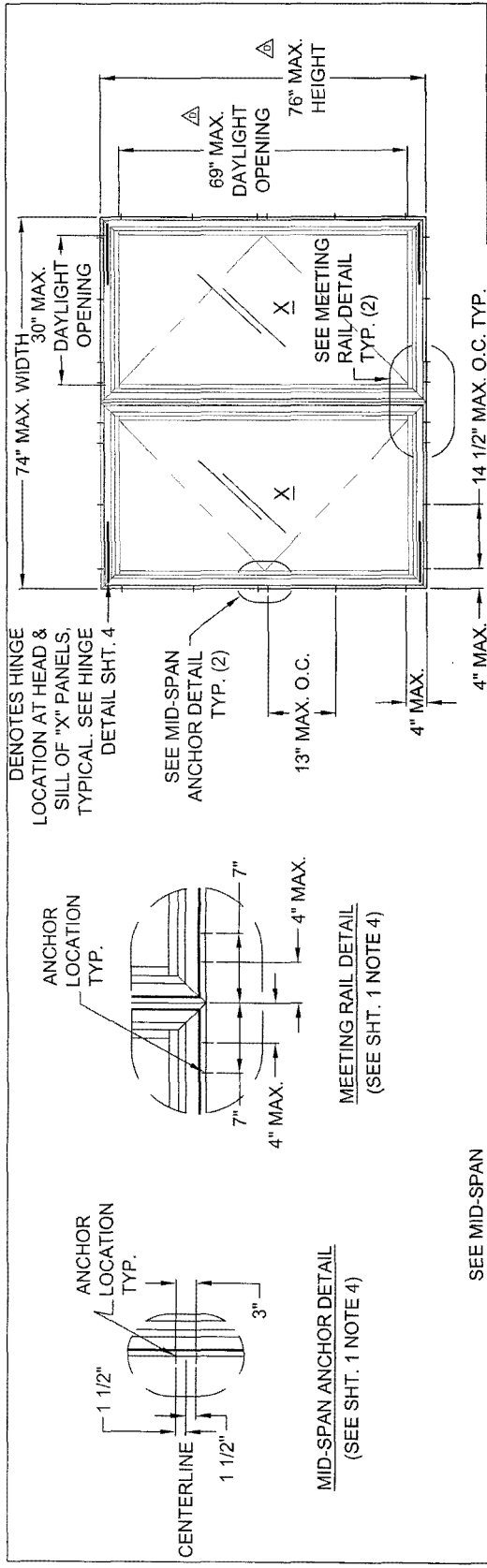
Lucas A. Turner, P.E.
 PE #5201
 Mechanical



NOTE: PVB INTERLAYER IS BY SOLUTIA OR DUPONT

Revised By: F.K.	Date: 03/25/03	Revision: B	REDRAW GLAZING DETAILS & ADD 13/16" I.G.
Revised By: F.K.	Date: 7/10/03	Revision: C	NO CHANGE THIS SHEET
Revised By: F.K.	Date: 6/23/05	Revision: D	ADD 13/16" LAMI I.G. W/ 7/16" LAMI & CORRECT 5/16" LAMI DETAIL
Drawn By: F.K.	Date: 03/25/03	Checked By:	

Company: PGT	Address: 1070 TECHNOLOGY DRIVE, NOKOMIS, FL 34275
Product: ALUMINUM CASEMENT WINDOW, IMPACT	Phone: P.O. BOX 1529, NOKOMIS, FL 34274
Scale: NTS	Sheet: 2 of 13
Drawing No: 7045-8	Rev: D

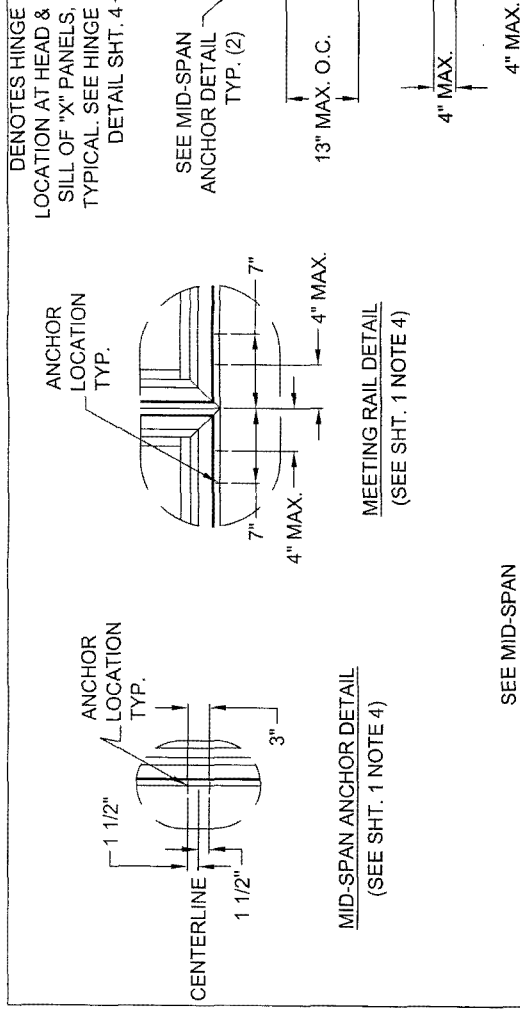
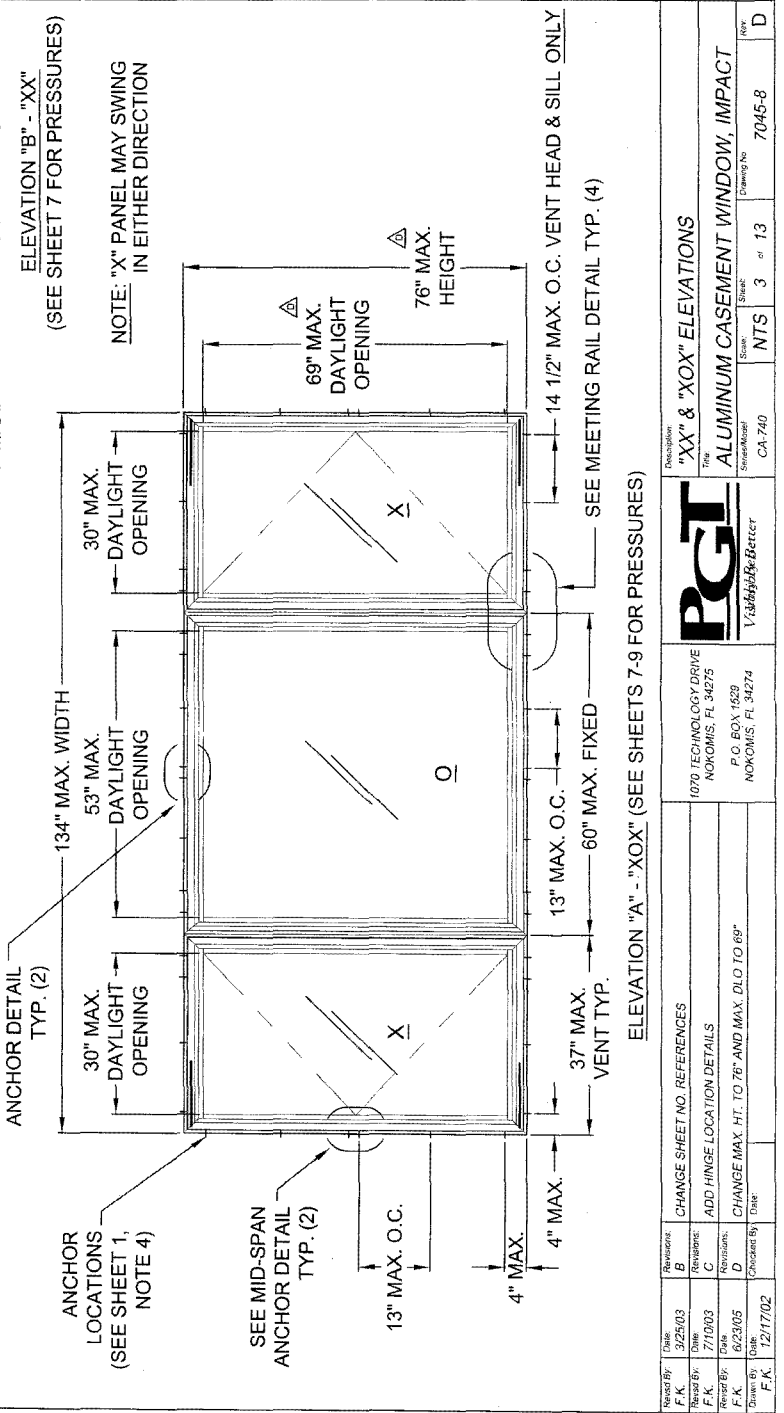


PRODUCT REVIEWED as required with the Florida Building Code by the Florida Architects on 05/12/2011. Expiration Date 05/12/2018. By *Michael Frank Product Control Director*

PRODUCT REVIEWED as required with the Florida Building Code by the Florida Architects on 08/01/2011. Expiration Date 08/01/2013. By *Michael Frank Product Control Director*

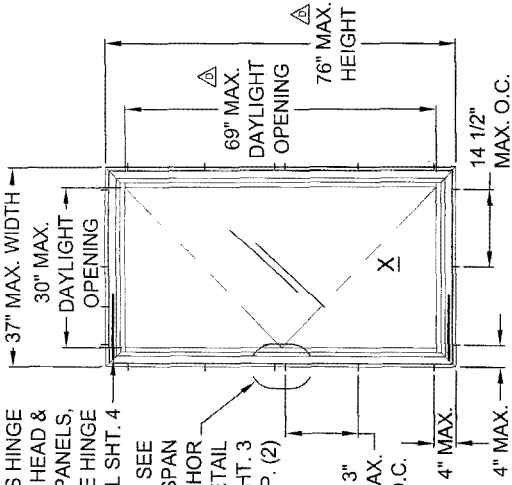
Lucas A. Turner, P.E.
PE #65201
Mechanical

L. A. T.
11/2/10

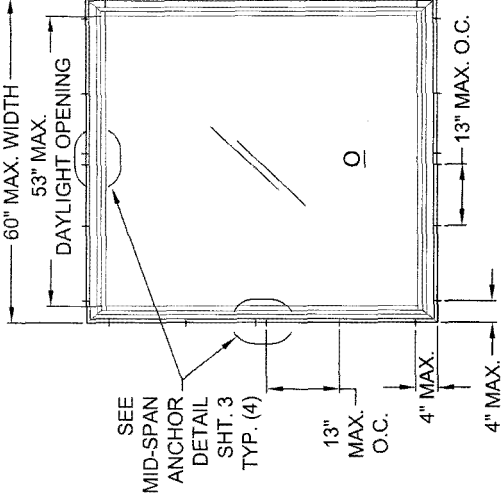


Number: XX & XOX ELEVATIONS	Scale: NTS	Sheet: 3 of 13	Drawing No: 7045-8	Rev: D
PGI Visible/In-Better				
1070 TECHNOLOGY DRIVE NOKOMIS, FL 34275				
P.O. BOX 1629 NOKOMIS, FL 34274				
Number: B	Change Sheet No. REFERENCES			
Date: 3/25/03	Revision: C	ADD HINGE LOCATION DETAILS		
Drawn By: F.K.	Date: 7/10/03	CHANGE MAX. HT. TO 76" AND MAX. DLO TO 69"		
Drawn By: F.K.	Date: 8/23/05	Change Sheet No. REFERENCES		
Drawn By: F.K.	Date: 12/17/02			

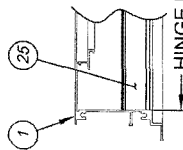
DENOTES HINGE LOCATION AT HEAD & SILL OF "X" PANELS, TYPICAL. SEE HINGE DETAIL SHT. 4



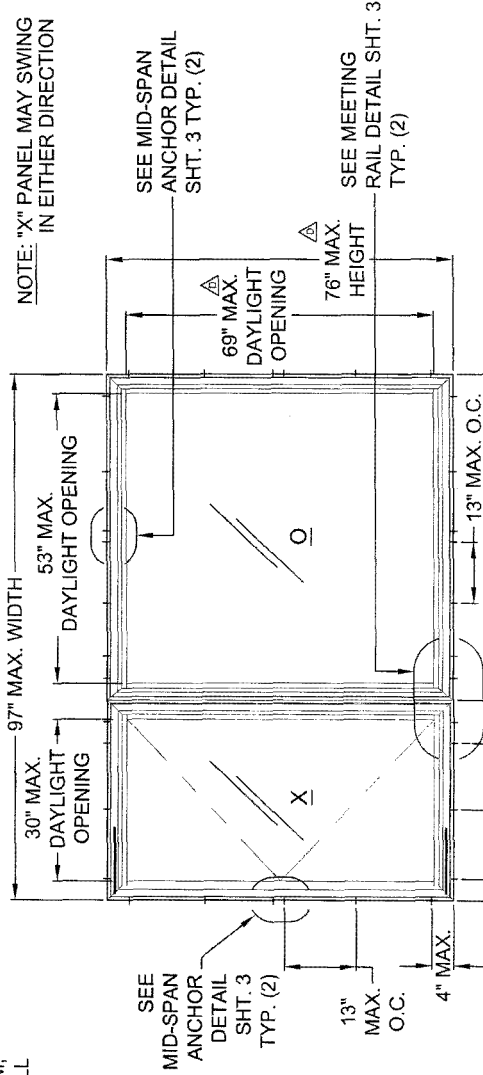
ELEVATION "D" - "X"
(SEE SHEET 5 FOR PRESSURES)



ELEVATION "E" - "O"
(SEE SHEET 7 FOR PRESSURES)



HINGE LOCATED APPROX. FLUSH AGAINST JAM, TYPICAL HEAD & SILL HINGE LOCATION DETAIL



ELEVATION "F" - "XO" & "OX" UNEQUAL LITE (SEE SHEETS 8-9 FOR PRESSURES)

14 1/2" MAX. O.C. VENT HEAD & SILL ONLY

PROJECT REVISED as complying with the Florida Building Code Amendments No. 05-1129(1) Engineering Date: 05-17-10 By: Michael Spivey Licensed Professional Engineer

PROJECT RETAINED as complying with the Florida Building Code Amendments No. 05-1129(1) Engineering Date: MAY 27, 2010 By: Michael Spivey Licensed Professional Engineer

Lucas A. Turner, P.E.
PE #98201
Mechanical
L.A.T.
11/2/10

Date: 3/25/03 Revised By: F.K. Date: 6/23/05 Revised By: F.K. Date: 7/10/03 Revised By: F.K. Date: 12/17/02 Revised By: F.K.	Change Sheet No. REFERENCES ADD HINGE DETAIL & HINGE LOCATION NOTES CHANGE MAX. HT. TO 76" AND MAX. DLO TO 69"	1070 TECHNOLOGY DRIVE NOKOMIS, FL 34275 P.O. BOX 1529 NOKOMIS, FL 34274	Description: "X", "O", "XO" & "OX" ELEVATIONS Title: ALUMINUM CASEMENT WINDOW, IMPACT Sheet: 4 of 13 Scale: NTS Drawing No: 7045-8	Rev D
---	--	--	---	----------



COMPARATIVE ANALYSIS TABLE 1. TEST REPORTS: FTL-3582, FTL-3587, FTL-3729

GLAZING OPTIONS:		"X" WINDOWS										"X" WINDOWS																	
GLAZING OPTIONS:		A. 5/16" LAMI (1/8"A.,.090,1/8"HS)					B. 5/16" LAMI (1/8"HS,.090,1/8"HS)					E. 13/16" LAMI (1/8"HS,3/8" SPACE,5/16" LAMI-W/ 1/8"HS,.090,1/8"HS)					E. 13/16" LAMI (1/8"HS,3/8" SPACE,5/16" LAMI-W/ 1/8"HS,.090,1/8"HS)												
		HEIGHT																											
"X" WIDTH		26	31	36	38 3/8	43	48	50 5/8	54	57	60	63	66	69	72	26	31	36	38 3/8	43	48	50 5/8	54	57	60	63	66	69	72
		NEG	POS	NEG	POS	NEG	POS	NEG	POS	NEG	POS	NEG	POS	NEG	POS	NEG	POS	NEG	POS	NEG	POS	NEG	POS	NEG	POS	NEG	POS	NEG	POS
19 1/8	A	-90.0	70.0	-90.0	70.0	-90.0	70.0	-90.0	70.0	-90.0	70.0	-90.0	70.0	-90.0	70.0	-90.0	70.0	-90.0	70.0	-90.0	70.0	-90.0	70.0	-90.0	70.0	-90.0	70.0	-90.0	70.0
	B,E	-90.0	70.0	-90.0	70.0	-90.0	70.0	-90.0	70.0	-90.0	70.0	-90.0	70.0	-90.0	70.0	-90.0	70.0	-90.0	70.0	-90.0	70.0	-90.0	70.0	-90.0	70.0	-90.0	70.0	-90.0	70.0
24	A	-90.0	70.0	-90.0	70.0	-90.0	70.0	-90.0	70.0	-90.0	70.0	-90.0	70.0	-90.0	70.0	-90.0	70.0	-90.0	70.0	-90.0	70.0	-90.0	70.0	-90.0	70.0	-90.0	70.0	-90.0	70.0
	B,E	-90.0	70.0	-90.0	70.0	-90.0	70.0	-90.0	70.0	-90.0	70.0	-90.0	70.0	-90.0	70.0	-90.0	70.0	-90.0	70.0	-90.0	70.0	-90.0	70.0	-90.0	70.0	-90.0	70.0	-90.0	70.0
26 1/2	A	-90.0	70.0	-90.0	70.0	-90.0	70.0	-90.0	70.0	-90.0	70.0	-90.0	70.0	-90.0	70.0	-90.0	70.0	-90.0	70.0	-90.0	70.0	-90.0	70.0	-90.0	70.0	-90.0	70.0	-90.0	70.0
	B,E	-90.0	70.0	-90.0	70.0	-90.0	70.0	-90.0	70.0	-90.0	70.0	-90.0	70.0	-90.0	70.0	-90.0	70.0	-90.0	70.0	-90.0	70.0	-90.0	70.0	-90.0	70.0	-90.0	70.0	-90.0	70.0
30	A	-90.0	70.0	-90.0	70.0	-90.0	70.0	-90.0	70.0	-90.0	70.0	-90.0	70.0	-90.0	70.0	-90.0	70.0	-90.0	70.0	-90.0	70.0	-90.0	70.0	-90.0	70.0	-90.0	70.0	-90.0	70.0
	B,E	-90.0	70.0	-90.0	70.0	-90.0	70.0	-90.0	70.0	-90.0	70.0	-90.0	70.0	-90.0	70.0	-90.0	70.0	-90.0	70.0	-90.0	70.0	-90.0	70.0	-90.0	70.0	-90.0	70.0	-90.0	70.0
32	A	-90.0	70.0	-90.0	70.0	-90.0	70.0	-90.0	70.0	-90.0	70.0	-90.0	70.0	-90.0	70.0	-90.0	70.0	-90.0	70.0	-90.0	70.0	-90.0	70.0	-90.0	70.0	-90.0	70.0	-90.0	70.0
	B,E	-90.0	70.0	-90.0	70.0	-90.0	70.0	-90.0	70.0	-90.0	70.0	-90.0	70.0	-90.0	70.0	-90.0	70.0	-90.0	70.0	-90.0	70.0	-90.0	70.0	-90.0	70.0	-90.0	70.0	-90.0	70.0
34	A	-75.0	70.0	-75.0	70.0	-75.0	70.0	-75.0	70.0	-75.0	70.0	-75.0	70.0	-75.0	70.0	-75.0	70.0	-75.0	70.0	-75.0	70.0	-75.0	70.0	-75.0	70.0	-75.0	70.0	-75.0	70.0
	B,E	-75.0	70.0	-75.0	70.0	-75.0	70.0	-75.0	70.0	-75.0	70.0	-75.0	70.0	-75.0	70.0	-75.0	70.0	-75.0	70.0	-75.0	70.0	-75.0	70.0	-75.0	70.0	-75.0	70.0	-75.0	70.0
36	A	-75.0	70.0	-75.0	70.0	-75.0	70.0	-75.0	70.0	-75.0	70.0	-75.0	70.0	-75.0	70.0	-75.0	70.0	-75.0	70.0	-75.0	70.0	-75.0	70.0	-75.0	70.0	-75.0	70.0	-75.0	70.0
	B,E	-75.0	70.0	-75.0	70.0	-75.0	70.0	-75.0	70.0	-75.0	70.0	-75.0	70.0	-75.0	70.0	-75.0	70.0	-75.0	70.0	-75.0	70.0	-75.0	70.0	-75.0	70.0	-75.0	70.0	-75.0	70.0
37	A	-75.0	70.0	-75.0	70.0	-73.7	70.0	-67.9	67.9	-59.0	59.0	-52.8	52.8	-49.9	49.9	-46.4	46.4	-43.5	43.5	-41.1	41.1	-41.1	41.1	-41.1	41.1	-45.6	45.6	-43.9	43.9
	B,E	-75.0	70.0	-75.0	70.0	-75.0	70.0	-75.0	70.0	-75.0	70.0	-75.0	70.0	-75.0	70.0	-75.0	70.0	-75.0	70.0	-75.0	70.0	-75.0	70.0	-75.0	70.0	-75.0	70.0	-75.0	70.0

PRODUCT REVIEWED
 in compliance with the Florida
 Building Code
 Acceptance No. 08-01711
 Expiration Date: MAY 27, 2013
 By: *M. M. M. M.*
 National Health Product Control
 Division

PRODUCT REVIEWED
 in compliance with the Florida
 Building Code
 Acceptance No. 08-01711
 Expiration Date: MAY 27, 2013
 By: *M. M. M. M.*
 National Health Product Control
 Division

L. A. Turner
 11/1/05

Lucas A. Turner, P. E.
 PE #83201
 Mechanical

TABLE 2. TEST REPORTS: FTL-3580, FTL-3587

GLAZING OPTION: C. 7/16" LAMI (3/16"A.,.090,3/16"HS)	AND ALL "X" SIZES UP TO 32" WIDE x 72" HIGH	70.0
--	---	------

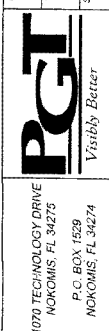
TABLE 2A. TEST REPORTS: FTL-4607, FTL-4608

GLAZING OPTIONS: C. 7/16" LAMI (3/16"A.,.090,3/16"HS)	F. 13/16" LAMI (1/8"A.,AIR SPACE,7/16" LAMI-W/ 3/16"A.,.090,3/16"HS)	70.0
ALL "X" SIZES UP TO 37" WIDE x 63" HIGH		-90.0
ALL "X" SIZES UP TO 37" WIDE x 76" HIGH		-55.0

X

NOTES: Δ
 1. FOR INSTALLATIONS IN WOOD OR CONCRETE TO THE FULL DESIGN PRESSURES IN THE ABOVE TABLES, USE ELCO 1/4" TAPCONS OR 1/4" SS4 CRETE-FLEX ANCHORS.
 2. IF INSTALLING WITH #12 SCREWS, DESIGN PRESSURE IS LIMITED TO 69.6 P.S.F.

Title: 3/25/03 Rev'd By: F.K. Date: 7/10/03 Rev'd By: F.K. Date: 6/23/05 Drawn By: F.K. Date: 12/17/02	Revisions: B ADD GLASS TYPE E TO TABLES 1 & 4 C NO CHANGE THIS SHEET D REVISE ANCHORS & ADD 7/6" HEIGHT OPTION	Checked By: F.K.	Description: PRESSURES- X CONFIG. WINDOWS Title: ALUMINUM CASEMENT WINDOW, IMPACT Specification: CA-740	Size: NTS 5 or 13	Drawing No: 7045-8	Date: D
--	---	---------------------	--	----------------------	-----------------------	------------



COMPARATIVE ANALYSIS TABLE 8. "OX" OR "OX" & "1/3-1/3-1/3 XOX" WINDOWS TEST REPORT: FTL-3582
 GLAZING OPTION: A. 5/16" LAMI (1/8"A, .090, 1/8"HS) HEIGHT

"OX" WIDTH	"XOX" WIDTH	HEIGHT																							
		26		31		36		38 3/8		43		48		50 5/8		54		57		60		63			
WIDTH	WIDTH	NEG	POS	NEG	POS	NEG	POS	NEG	POS	NEG	POS	NEG	POS	NEG	POS	NEG	POS	NEG	POS	NEG	POS	NEG	POS	NEG	POS
37	55 1/2	A	-75.0	70.0	-75.0	70.0	-75.0	70.0	-75.0	70.0	-75.0	70.0	-75.0	70.0	-75.0	70.0	-75.0	70.0	-75.0	70.0	-75.0	70.0	-75.0	70.0	
48	72	A	-75.0	70.0	-75.0	70.0	-75.0	70.0	-75.0	70.0	-75.0	70.0	-75.0	70.0	-75.0	70.0	-75.0	70.0	-75.0	70.0	-75.0	70.0	-75.0	70.0	
49 1/3	74	A	-75.0	70.0	-75.0	70.0	-75.0	70.0	-75.0	70.0	-75.0	70.0	-75.0	70.0	-75.0	70.0	-75.0	70.0	-75.0	70.0	-75.0	70.0	-75.0	70.0	
53 1/8	79 2/3	A	-75.0	70.0	-75.0	70.0	-75.0	70.0	-75.0	70.0	-75.0	70.0	-75.0	70.0	-75.0	70.0	-75.0	70.0	-72.1	70.0	-69.5	69.5	-67.5	67.5	
56	84	A	-75.0	70.0	-75.0	70.0	-75.0	70.0	-75.0	70.0	-75.0	70.0	-71.9	70.0	-67.7	67.7	-64.9	64.9	-62.7	62.7	-60.4	60.4	-58.2	58.2	
60	90	A	-75.0	70.0	-75.0	70.0	-75.0	70.0	-75.0	70.0	-75.0	70.0	-68.4	68.4	-63.9	63.9	-60.0	60.0	-58.5	58.5	-56.2	56.2	-53.4	53.4	
64	96	A	-75.0	70.0	-75.0	70.0	-75.0	70.0	-75.0	70.0	-71.1	70.0	-61.8	61.8	-58.9	58.9	-56.1	56.1	-53.8	53.8	-50.4	50.4	-47.7	47.7	
67.333	101	A	-75.0	70.0	-75.0	70.0	-75.0	70.0	-75.0	70.0	-66.4	66.4	-58.2	58.2	-55.6	55.6	-52.6	52.6	-49.4	49.4	-45.9	45.9	-43.1	43.1	
70.917	106 3/8	A	-75.0	70.0	-75.0	70.0	-75.0	70.0	-71.8	70.0	-61.8	61.8	-55.1	55.1	-51.9	51.9	-48.9	48.9	-45.8	45.8	-42.8	42.8	-40.3	40.3	
72	108	A	-75.0	70.0	-75.0	70.0	-75.0	70.0	-70.4	70.0	-60.4	60.4	-54.3	54.3	-51.1	51.1	-47.9	47.9	-44.8	44.8	-42.2	42.2	-39.7	39.7	
74	111	A	-75.0	70.0	-75.0	70.0	-73.7	70.0	-67.9	67.9	-59.0	59.0	-52.8	52.8	-49.9	49.9	-46.4	46.4	-43.5	43.5	-41.1	41.1	-38.6	38.6	


TABLE 9. "OX" or "OX" & "1/3-1/3-1/3 XOX" WINDOWS TEST REPORTS: FTL-3582, FTL-3729
 GLAZING OPTIONS: B. 5/16" LAMI (1/8"HS, .090, 1/8"HS) E. 13/16" LAMI (1/8"HS, 3/8" SPACE, 5/16" LAMI-W/ 1/8"HS, .090, 1/8"HS)
 ALL "OX" OR "OX" SIZES UP TO 74" WIDE x 63" HIGH AND ALL "1/3-1/3-1/3 XOX" SIZES UP TO 111" WIDE x 63" HIGH -75.0 70.0

TABLE 10. "OX" or "OX" & "1/3-1/3-1/3 XOX" WINDOWS TEST REPORT: FTL-3580
 GLAZING OPTION: C. 7/16" LAMI (3/16"A, .090, 3/16"HS)
 ALL "OX" OR "OX" SIZES UP TO 74" WIDE x 63" HIGH AND ALL "1/3-1/3-1/3 XOX" SIZES UP TO 111" WIDE x 63" HIGH -90.0 70.0

TABLE 10A. "OX" or "OX" & "1/3-1/3-1/3 XOX" WINDOWS TEST REPORTS: FTL-3580, FTL-4607, FTL-4608
 GLAZING OPTIONS: C. 7/16" LAMI (3/16"A, .090, 3/16"HS) F. 13/16" LAMI (1/8"TA, AIR SPACE, 7/16" LAMI-W/ 3/16"A, .090, 3/16"HS)
 ALL "OX" OR "OX" SIZES UP TO 74" WIDE x 76" HIGH AND ALL "1/3-1/3-1/3 XOX" SIZES UP TO 111" WIDE x 76" HIGH -55.0 55.0

NOTES:
 1. FOR INSTALLATIONS IN WOOD OR CONCRETE TO THE FULL DESIGN PRESSURES IN THE ABOVE TABLES, USE ELCO 1/4" TAPCONS OR 1/4" SS4 CRETE-FLEX ANCHORS.
 2. IF INSTALLING WITH #12 SCREWS, DESIGN PRESSURE IS LIMITED TO 69.6 P.S.F.

Revised By: F.K. 3/29/03	Revisions: B	ADD GLASS TYPE E TO TABLE 9
Drawn By: F.K. 7/16/03	Revisions: C	NO CHANGE THIS SHEET
Checked By: F.K. 6/23/05	Revisions: D	CHANGE ANCHORS AND ADD 76" HEIGHT OPTION
Drawn By: F.K. 12/17/02	Checked By: Date:	

1070 TECHNOLOGY DRIVE NOKOMIS, FL 34475 P.O. BOX 1529 NOKOMIS, FL 34474	 Vixibby Better	Description: PRESSURES- XO, OX, & 1/3-1/3-1/3 XOX WINDOWS Title: ALUMINUM CASEMENT WINDOW, IMPACT Sheet: CA-740 Scale: NTS Date: 8/13 Drawing No: 7045-6 Rev: D
--	---	---

1	1	1	X
3	3	3	O
X	X	X	X

X	O
---	---

O	X
---	---

PRODUCT REVISED as requested by the Building Code Enforcement Dept. By: [Signature] Date: 05-12-11
 PROJECT: [Signature] Division: Mechanical Products Warehouse Covering

PRODUCT REVISED as complying with the Florida Building Code. By: [Signature] Date: 08-01-11
 PROJECT: [Signature] Division: Mechanical Products Warehouse Covering

[Handwritten Signature]

Lucas A. Turner, P.E.
 PE #58201
 Mechanical

COMPARATIVE ANALYSIS TABLE 11.

GLAZING OPTIONS: A. 5/16" LAMI (1/8" A, .090, 1/8" HS) B. 5/16" LAMI (1/8" HS, .090, 1/8" HS) C. 7/16" LAMI (3/16" A, .090, 3/16" HS) D. 7/16" LAMI (3/16" HS, .090, 3/16" HS)
 E. 13/16" LAMI (1/8" HS, 3/8" SPACE 5/16" LAMI-W/ 1/8" HS, .090, 1/8" HS) F. 13/16" LAMI (1/8" A, AIR SPACE, 7/16" LAMI-W/ 3/16" A, .090, 3/16" HS)

WINDTHS	26		36		38 3/8		43		48		50 5/8		54		57		60		63		67		72		76		
	NEG	POS	NEG	POS	NEG	POS	NEG	POS	NEG	POS	NEG	POS	NEG	POS	NEG	POS	NEG	POS	NEG	POS	NEG	POS	NEG	POS	NEG	POS	
69.264	A	-75.0	70.0	-75.0	70.0	-75.0	70.0	-74.1	70.0	-64.9	64.9	-50.6	60.6	-58.1	58.1	-56.1	56.1	-53.3	53.3	-50.5	50.5						
	B	-75.0	70.0	-75.0	70.0	-75.0	70.0	-75.0	70.0	-75.0	70.0	-90.0	70.0	-90.0	70.0	-90.0	70.0	-90.0	70.0	-90.0	70.0	-75.0	70.0	-75.0	70.0	-75.0	70.0
	C,F	-90.0	70.0	-90.0	70.0	-90.0	70.0	-90.0	70.0	-90.0	70.0	-90.0	70.0	-90.0	70.0	-90.0	70.0	-90.0	70.0	-90.0	70.0	-55.0	55.0	-55.0	55.0	-55.0	55.0
86.919	A	-75.0	70.0	-69.1	69.1	-63.4	63.4	-56.5	56.5	-50.4	50.4	-47.5	47.5	-44.1	44.1	-41.6	41.6	-39.2	39.2	-36.9	36.9						
	B	-75.0	70.0	-75.0	70.0	-75.0	70.0	-75.0	70.0	-75.0	70.0	-75.0	70.0	-75.0	70.0	-75.0	70.0	-75.0	70.0	-75.0	70.0	-75.0	70.0	-75.0	70.0	-75.0	70.0
	C,F	-90.0	70.0	-90.0	70.0	-90.0	70.0	-90.0	70.0	-90.0	70.0	-90.0	70.0	-90.0	70.0	-90.0	70.0	-90.0	70.0	-90.0	70.0	-55.0	55.0	-55.0	55.0	-55.0	55.0
95.973	A	-75.0	70.0	-60.5	60.5	-57.2	57.2	-52.1	52.1	-48.2	48.2	-44.9	44.9	-41.4	41.4	-38.1	38.1	-35.2	35.2	-32.6	32.6						
	B	-75.0	70.0	-75.0	70.0	-75.0	70.0	-75.0	70.0	-75.0	70.0	-75.0	70.0	-75.0	70.0	-75.0	70.0	-75.0	70.0	-75.0	70.0	-75.0	70.0	-75.0	70.0	-75.0	70.0
	C,F	-90.0	70.0	-90.0	70.0	-90.0	70.0	-90.0	70.0	-90.0	70.0	-90.0	70.0	-90.0	70.0	-90.0	70.0	-90.0	70.0	-90.0	70.0	-55.0	55.0	-55.0	55.0	-55.0	55.0
108.649	A	-75.0	70.0	-53.5	53.5	-50.4	50.4	-45.5	45.5	-41.4	41.4	-37.2	37.2	-33.0	33.0	-28.9	28.9	-24.9	24.9	-21.0	21.0						
	B	-75.0	70.0	-75.0	70.0	-75.0	70.0	-75.0	70.0	-75.0	70.0	-75.0	70.0	-75.0	70.0	-75.0	70.0	-75.0	70.0	-75.0	70.0	-75.0	70.0	-75.0	70.0	-75.0	70.0
	C,F	-90.0	70.0	-90.0	70.0	-90.0	70.0	-90.0	70.0	-90.0	70.0	-90.0	70.0	-90.0	70.0	-90.0	70.0	-90.0	70.0	-90.0	70.0	-55.0	55.0	-55.0	55.0	-55.0	55.0
115.892	A	-75.0	70.0	-49.9	49.9	-46.8	46.8	-43.1	43.1	-39.4	39.4	-35.7	35.7	-32.0	32.0	-28.3	28.3	-24.6	24.6	-21.0	21.0						
	B	-75.0	70.0	-75.0	70.0	-75.0	70.0	-75.0	70.0	-75.0	70.0	-75.0	70.0	-75.0	70.0	-75.0	70.0	-75.0	70.0	-75.0	70.0	-75.0	70.0	-75.0	70.0	-75.0	70.0
	C,F	-90.0	70.0	-90.0	70.0	-90.0	70.0	-90.0	70.0	-90.0	70.0	-90.0	70.0	-90.0	70.0	-90.0	70.0	-90.0	70.0	-90.0	70.0	-55.0	55.0	-55.0	55.0	-55.0	55.0
122	A	-75.0	70.0	-47.3	47.3	-44.0	44.0	-40.7	40.7	-37.4	37.4	-34.1	34.1	-30.8	30.8	-27.5	27.5	-24.2	24.2	-20.9	20.9						
	B	-75.0	70.0	-75.0	70.0	-75.0	70.0	-75.0	70.0	-75.0	70.0	-75.0	70.0	-75.0	70.0	-75.0	70.0	-75.0	70.0	-75.0	70.0	-75.0	70.0	-75.0	70.0	-75.0	70.0
	C,F	-90.0	70.0	-90.0	70.0	-90.0	70.0	-90.0	70.0	-90.0	70.0	-90.0	70.0	-90.0	70.0	-90.0	70.0	-90.0	70.0	-90.0	70.0	-55.0	55.0	-55.0	55.0	-55.0	55.0
123.136	A	-75.0	70.0	-46.8	46.8	-43.6	43.6	-40.4	40.4	-37.2	37.2	-34.0	34.0	-30.8	30.8	-27.6	27.6	-24.4	24.4	-21.2	21.2						
	B	-75.0	70.0	-75.0	70.0	-75.0	70.0	-75.0	70.0	-75.0	70.0	-75.0	70.0	-75.0	70.0	-75.0	70.0	-75.0	70.0	-75.0	70.0	-75.0	70.0	-75.0	70.0	-75.0	70.0
	C,F	-90.0	70.0	-90.0	70.0	-90.0	70.0	-90.0	70.0	-90.0	70.0	-90.0	70.0	-90.0	70.0	-90.0	70.0	-90.0	70.0	-90.0	70.0	-55.0	55.0	-55.0	55.0	-55.0	55.0
130	A	-75.0	70.0	-45.5	45.5	-42.6	42.6	-39.7	39.7	-36.8	36.8	-33.9	33.9	-31.0	31.0	-28.1	28.1	-25.2	25.2	-22.3	22.3						
	B	-75.0	70.0	-75.0	70.0	-75.0	70.0	-75.0	70.0	-75.0	70.0	-75.0	70.0	-75.0	70.0	-75.0	70.0	-75.0	70.0	-75.0	70.0	-75.0	70.0	-75.0	70.0	-75.0	70.0
	C,F	-90.0	70.0	-90.0	70.0	-90.0	70.0	-90.0	70.0	-90.0	70.0	-90.0	70.0	-90.0	70.0	-90.0	70.0	-90.0	70.0	-90.0	70.0	-55.0	55.0	-55.0	55.0	-55.0	55.0
130.378	A	-75.0	70.0	-43.5	43.5	-41.0	41.0	-38.5	38.5	-36.0	36.0	-33.5	33.5	-31.0	31.0	-28.5	28.5	-26.0	26.0	-23.5	23.5						
	B	-75.0	70.0	-75.0	70.0	-75.0	70.0	-75.0	70.0	-75.0	70.0	-75.0	70.0	-75.0	70.0	-75.0	70.0	-75.0	70.0	-75.0	70.0	-75.0	70.0	-75.0	70.0	-75.0	70.0
	C,F	-90.0	70.0	-90.0	70.0	-90.0	70.0	-90.0	70.0	-90.0	70.0	-90.0	70.0	-90.0	70.0	-90.0	70.0	-90.0	70.0	-90.0	70.0	-55.0	55.0	-55.0	55.0	-55.0	55.0
134	A	-72.9	70.0	-42.2	42.2	-39.7	39.7	-37.2	37.2	-34.7	34.7	-32.2	32.2	-29.7	29.7	-27.2	27.2	-24.7	24.7	-22.2	22.2						
	B	-75.0	70.0	-75.0	70.0	-75.0	70.0	-75.0	70.0	-75.0	70.0	-75.0	70.0	-75.0	70.0	-75.0	70.0	-75.0	70.0	-75.0	70.0	-75.0	70.0	-75.0	70.0	-75.0	70.0
	C,F	-90.0	70.0	-90.0	70.0	-90.0	70.0	-90.0	70.0	-90.0	70.0	-90.0	70.0	-90.0	70.0	-90.0	70.0	-90.0	70.0	-90.0	70.0	-55.0	55.0	-55.0	55.0	-55.0	55.0

"XO" & "OX" WINDOW WIDTHS EQUAL THE SUM OF THE VENT WIDTH AND THE FIXED WIDTH.

TABLE 12. "XO" or "OX" & "XOX" UNEQUAL LITE WINDOWS TEST REPORT: FTL-3560

GLAZING OPTION: D. 7/16" LAMI (3/16" HS, .090, 3/16" HS)

ALL "XOX" SIZES UP TO 134" WIDE x 83" HIGH WITH 37" MAX. VENT WIDTH AND 60" MAX. FIXED WIDTH AND

ALL "XO" or "OX" SIZES UP TO 97" WIDE x 63" HIGH WITH 37" MAX. VENT WIDTH AND 60" MAX. FIXED WIDTH

WINDTHS	NEG	POS	NEG	POS
90.0	-90.0	70.0	-90.0	70.0

TABLE 12A. "XO" or "OX" & "XOX" UNEQUAL LITE WINDOWS TEST REPORTS: FTL-3580, FTL-4607, FTL-4608

GLAZING OPTIONS: D. 7/16" LAMI (3/16" HS, .090, 3/16" HS) G. 13/16" LAMI (1/8" A, AIR SPACE, 7/16" LAMI-W/ 3/16" HS, .090, 3/16" HS)

ALL "XOX" SIZES UP TO 134" WIDE x 76" HIGH WITH 37" MAX. VENT WIDTH AND 60" MAX. FIXED WIDTH AND

ALL "XO" or "OX" SIZES UP TO 97" WIDE x 76" HIGH WITH 37" MAX. VENT WIDTH AND 60" MAX. FIXED WIDTH

WINDTHS	NEG	POS	NEG	POS
90.0	-90.0	70.0	-90.0	70.0

NOTES: 1. FOR INSTALLATIONS IN WOOD OR CONCRETE TO THE FULL DESIGN PRESSURES IN THE ABOVE TABLES, USE ELCO 1/4" TAPCONS OR 1/4" SS4 CRETE-FLEX ANCHORS.
 2. IF INSTALLING WITH #12 SCREWS, DESIGN PRESSURE IS LIMITED TO 69.6 P.S.F.

Drawn By: F.K. 3/25/03
 Checked By: B
 Date: 3/25/03
 Revisions: C
 Date: 7/10/03
 Revisions: D
 Date: 6/23/05
 Drawn By: F.K.
 Checked By: Date:

ADD GLASS TYPE E TO TABLE 11
 NO CHANGE THIS SHEET
 CHANGE ANCHORS AND ADD 76" HEIGHT OPTION

1070 TECHNOLOGY DRIVE
 NOKOMIS, FL 34215
 P. O. BOX 1639
 NOKOMIS, FL 34274

Scale: NTS
 Sheet: 9 of 13
 Drawing No. 7045-8

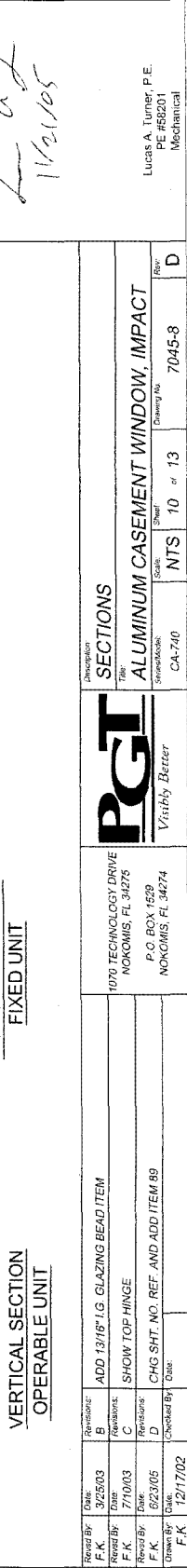
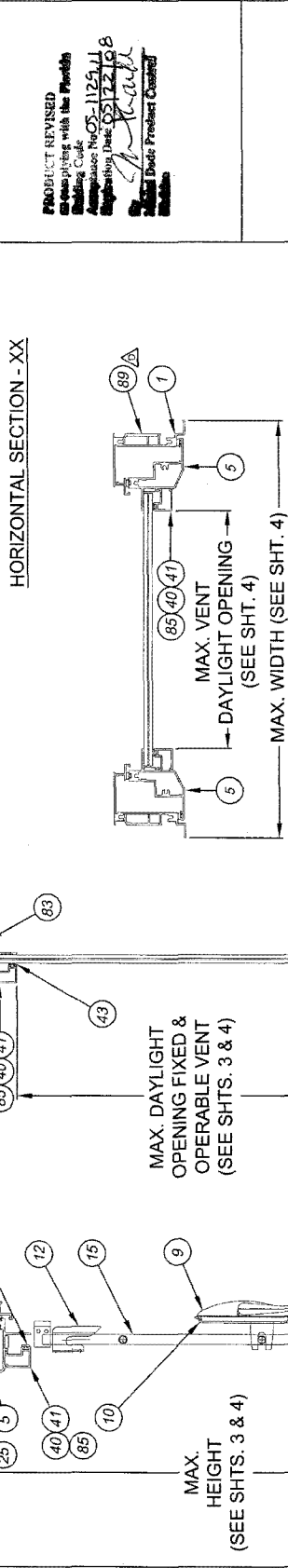
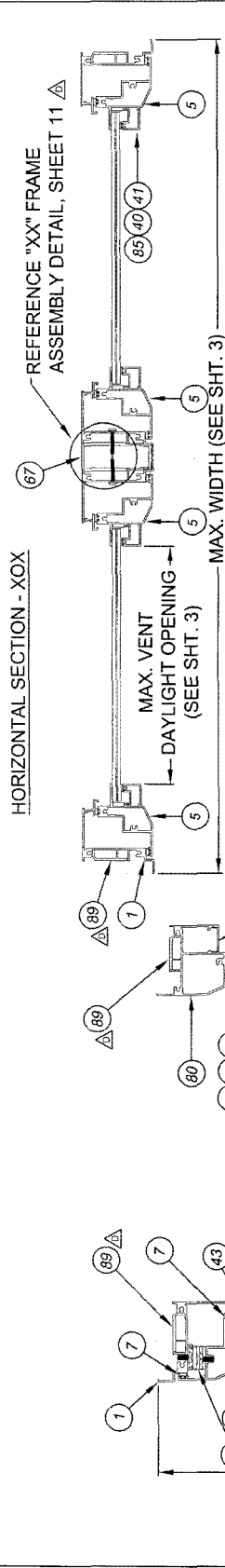
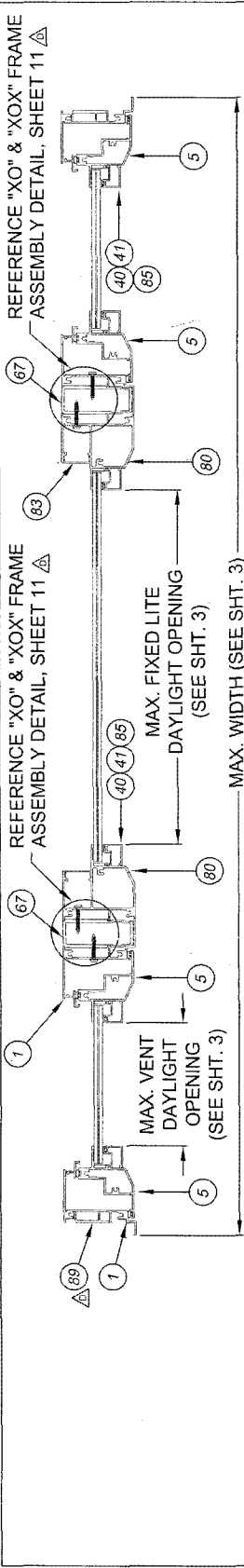
DESIGNER: PRESSURES-UNEQUAL CONFIG. XO, OX & XOX
 THE ALUMINUM CASEMENT WINDOW, IMPACT

Drawn By: Lucas A. Turner, P.E.
 PE #8201
 Mechanical

PRODUCT REVIEWED
 Building Code
 Approved By: [Signature]
 Date: 08-01-11
 Approved By: [Signature]
 Date: 05-22-08
 Approved By: [Signature]
 Date: [Signature]
 Approved By: [Signature]
 Date: [Signature]

PRODUCT REVIEWED
 Building Code
 Approved By: [Signature]
 Date: 08-01-11
 Approved By: [Signature]
 Date: 05-22-08
 Approved By: [Signature]
 Date: [Signature]
 Approved By: [Signature]
 Date: [Signature]

L.A.Z.
 11/2/10



PRODUCT REVISED
 in compliance with the Florida
 Building Code
 Acceptance No. 05-1129-11
 Expiration Date 05/17/18
 By: *[Signature]*
 State Dept. Product Control
 Tallahassee, Florida

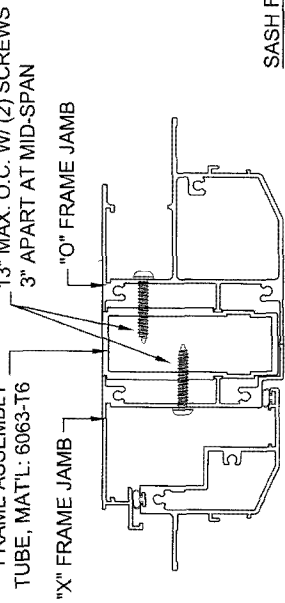
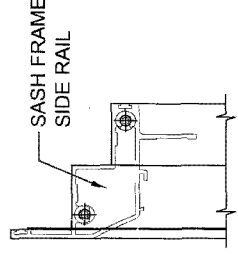
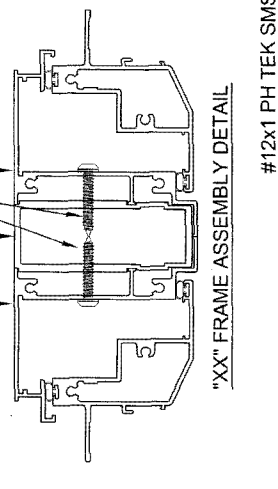
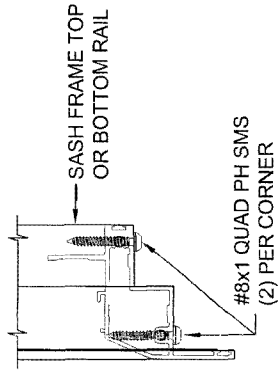
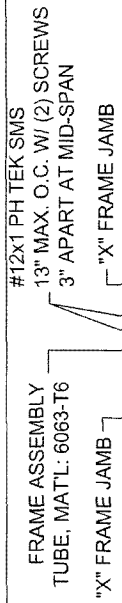
PRODUCT RENEWED
 in compliance with the Florida
 Building Code
 Acceptance No. 08-017-11
 Expiration Date 08/23/2013
 By: *[Signature]*
 Miami Trade Product Control
 Division

L. A. J.
 11/2/105

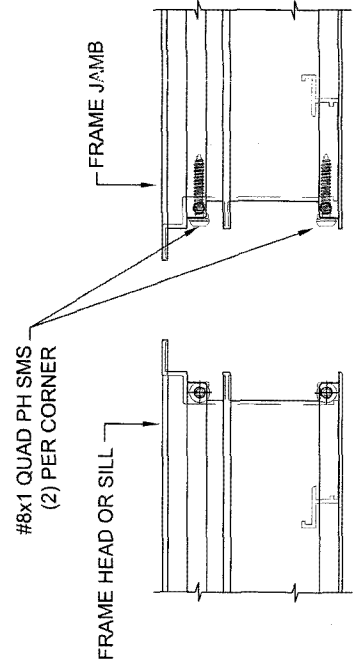
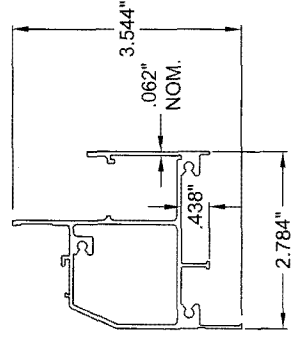
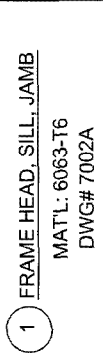
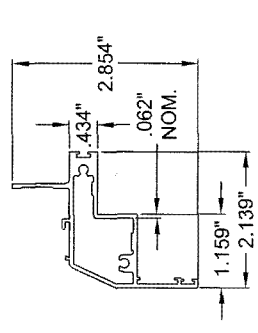
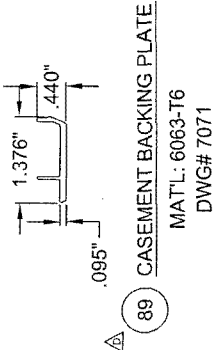
Lucas A. Turner, P.E.
 PE #56201
 Mechanical

Rev'd By: F.K. Date: 3/25/03 Rev'd By: F.K. Date: 7/10/03 Rev'd By: F.K. Date: 6/23/05 Drawn By: F.K. Date: 12/17/02	Checkered By: F.K. Date: 12/17/02 Checkered By: F.K. Date: 6/23/05 Checkered By: F.K. Date: 7/10/03 Checkered By: F.K. Date: 3/25/03	ADD 13/16" I.G. GLAZING BEAD ITEM SHOW TOP HINGE CHG SHT. NO. REF. AND ADD ITEM 89	1070 TECHNOLOGY DRIVE NOKOMIS, FL 34275 P.O. BOX 1659 NOKOMIS, FL 34274	PGI Visibly Better	SECTION 5 ALUMINUM CASEMENT WINDOW, IMPACT	Scale: NTS Sheet: 10 of 13 Drawing No: 7045-8	Row: D
---	---	--	--	------------------------------	---	---	--------

NOTE: ALL ALUMINUM SHALL BE OF 6063-T6



SASH FRAME ASSEMBLY DETAIL



PRODUCT REVIEWED
in compliance with the Florida
Building Code
Approval No. 08-0117-11
Expiration Date: MAY 22, 2018
By: *[Signature]*
Miami Building Product Control
Division

PRODUCT REVIEWED
in compliance with the Florida
Building Code
Approval No. 08-0117-11
Expiration Date: MAY 22, 2018
By: *[Signature]*
Miami Building Product Control
Division

[Handwritten: L 02]
[Handwritten: 11/21/05]

Lucas A. Jumeir, P.E.
PE #58201
Mechanical

Revised By:	Date:	Revisions:	NO CHANGE THIS SHEET
F.K.	3/25/03	B	
Revised By:	Date:	Revisions:	NO CHANGE THIS SHEET
F.K.	7/10/03	C	
Revised By:	Date:	Revisions:	ADD ITEM B9
F.K.	02/28/05	B	
Checked By:	Date:	Checked By:	Date:
F.K.	12/17/02		

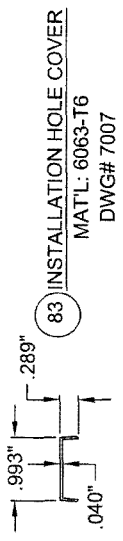
1070 TECHNOLOGY DRIVE NOKOMIS, FL 34275 P.O. BOX 1529 NOKOMIS, FL 34274	
PGI Visibly Better	
Extrusion:	EXTRUSIONS & ASSEMBLY DETAILS
Type:	ALUMINUM CASEMENT WINDOW, IMPACT
Scale:	Sheet 11 of 13
Drawn No:	7045-8
Rev:	D

ITEM	DWG #	PCT. #	DESCRIPTION
73	7025		MAXIM SINGLE LOCK
74	7016		SINGLE LOCK KEEPER
75	70834A		#8 X .750 QUAD PN SMS
80	70055A		FIXED WINDOW FRAME - HEAD, SILL & JAMBS
81	1155	781PQA	#8 X 1 QUAD PN SMS
82	7010		FIXED FRAME CORNER KEY
83	7007		INSTALLATION HOLE COVER
85	7047		GLAZING BEAD (3/16" I.G.)
86	13/16"		I.G. GLASS (1/8" HS, AIR SPACE, 5/16" LAM) 5/16" LAMI =
	13/16"		(2) LIFTS OF 1/8" HS GLASS WITH AN .090 INTERLAYER - SOLUTIA OR DUPONT PVB
87	13/16"		I.G. GLASS (1/8" HS, AIR SPACE, 7/16" LAM) 7/16" LAMI =
	13/16"		3/16A & 3/16HS GLASS WITH AN .090 INTERLAYER - SOLUTIA OR DUPONT PVB
88			I.G. GLASS (1/8" HS, AIR SPACE, 7/16" LAM) 7/16" LAMI =
			3/16HS & 3/16HS GLASS WITH AN .090 INTERLAYER - SOLUTIA OR DUPONT PVB
89	7071	67071	CASEMENT BACKING PLATE (SEE NOTE 4, SHEET 13)

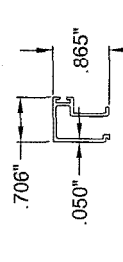
ITEM	DWG #	PCT. #	DESCRIPTION
1	7002A		MAIN FRAME - HEAD, SILL & JAMBS
2	1155	781PQA	#8 X 1 QUAD PH SMS
3	7008		FRAME CORNER KEY
4			1/2" X 1/2" X 1/8" CLOSED-CELL FOAM TAPE
5	7003A		SASH - TOP, BOTTOM & SIDE NAILS
6	1155	781PQA	#8 X 1 QUAD PH SMS
7	7017	67017K	BULB WEATHERSTRIP - 187X.240
8	7009		SASH CORNER KEY
9	7024		MAXIM MULTI-POINT LOCK
10	7026		LOCK SUPPORT PLATE
11	7014		#10-24 X .562 PH PN, TYPE F
12	1157		MULTI-LOCK KEEPER (R.H. & L.H.)
13	1157		#8 X .875 PH PN SMS
14	7013		THE BAR GUIDE
15	7015		THE BAR ASSEMBLY
16	7028		MAXIM DYAD OPERATOR
17	7027		MAXIM DUAL ARM OPERATOR
18	7030		OPERATOR GASKET
19	7031		BACKING PLATE
20	7032		#8-32 X .375 PH PN, TYPE B
21	7032		STUD BRACKET (L.H. & R.H.)
22	78582A		#8 X 5/8" FLT. PHL SMS
23	7033		OPERATOR TRACK & SLIDER (DUAL ARM)
24	7032		SNAP-ON HANDLE
25	7023		12" HINGE (HEAVY DUTY)
26	710X121P		#10 X .500 PH. PHL.
30			5/16" LAMINATED (1/8A & 1/8HS GLASS)
			.090 INTERLAYER - SOLUTIA OR DUPONT PVB
31			5/16" LAMINATED (1/8HS & 1/8HS GLASS)
			.090 INTERLAYER - SOLUTIA OR DUPONT PVB
32			7/16" LAMINATED (3/16A & 3/16HS GLASS)
			.090 INTERLAYER - SOLUTIA OR DUPONT PVB
33			7/16" LAMINATED (3/16HS & 3/16HS GLASS)
			.090 INTERLAYER - SOLUTIA OR DUPONT PVB
40	7036		GLAZING BEAD (5/16")
41	7042		GLAZING BEAD (7/16")
43	1224	61P247	VINYL BULB WSP (THICK)
44			SILICONE - DOWN CORNING 899, 995 OR EQUIV.
45			PARABOND
46	1634	6163K	SETTING BLOCK
50	7006		SCREEN FRAME
51	7040		SCREEN CORNER KEY
52			SCREEN CLOTH
53	1635	6163K	SCREEN SHINE - SERRATED
54	331	60976	CASEMENT SCREEN CLIP
55			#8 X .500 SQ. PN. TEK SMS
67	7004A	67004	CASEMENT FRAME ASSY. TUBE
68			412 X 1" PH. PHL. TBK
69	7011		LOCK SUPPORT PLATE
70	7012		LOCK SPACER
71	7019		SNAP-ON HANDLE KNOB
72	7018	7FLDHD	FOLDING HANDLE

PARTS LIST

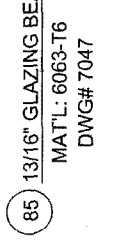
PARTS LIST CONT.



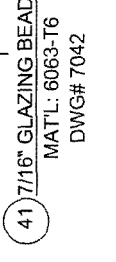
83 INSTALLATION HOLE COVER
MATL: 6063-T6
DWG# 7007



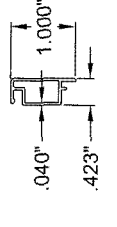
40 5/16" GLAZING BEAD
MATL: 6063-T6
DWG# 7036



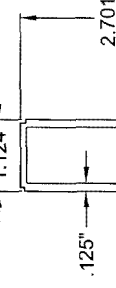
85 13/16" GLAZING BEAD
MATL: 6063-T6
DWG# 7047



41 7/16" GLAZING BEAD
MATL: 6063-T6
DWG# 7042



50 CASEMENT SCREEN FRAME
MATL: 6063-T6
DWG# 7006



67 CASEMENT FRAME ASSEMBLY TUBE
MATL: 6063-T6
DWG# 7004A

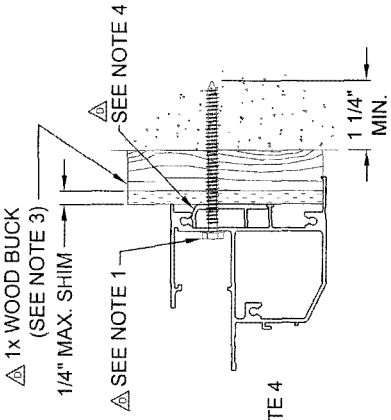
PRODUCT REVISED
As compared with the Florida
Building Code
Expiration Date: 05-11-2011
By: [Signature]
Mechanical Products Company
Dayton, OH

PRODUCT REVISED
in compliance with the Florida
Building Code
Expiration Date: 08-01-2013
By: [Signature]
Mechanical Products Company
Dayton, OH

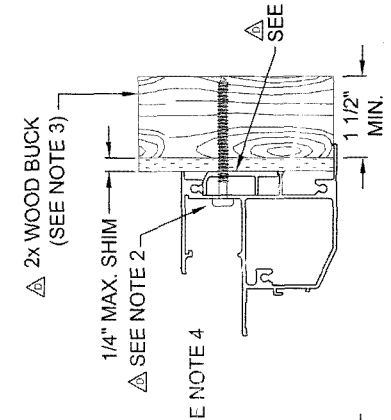
Lucas A. Turner, P.E.
PE #58201
Mechanical
11/21/05

<p>Revised By: [Blank]</p> <p>Checked By: [Blank]</p> <p>Date: 12/17/02</p>	<p>Revisions:</p> <p>B ADD 13/16" I.G. GLASS & GLAZING BEAD</p> <p>C NO CHANGE THIS SHEET</p> <p>D ADD EQUIV TO ITEM 44, SILICONE AND ADD ITEMS 87, 88 AND 89</p>	<p>1070 TECHNOLOGY DRIVE NOKOMIS, FL 34275 P.O. BOX 1529 NOKOMIS, FL 34274</p>	<p>PARTS LIST & EXTRUSIONS</p> <p>ALUMINUM CASEMENT WINDOW, IMPACT</p>	<p>CA-740</p>	<p>Sheet 12 of 13</p>	<p>Drawing No. 7045-8</p>	<p>Rev. D</p>
---	---	--	--	---------------	-----------------------	---------------------------	---------------

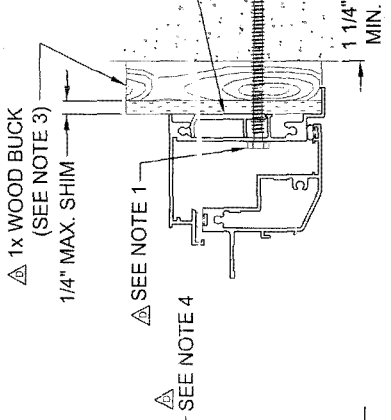




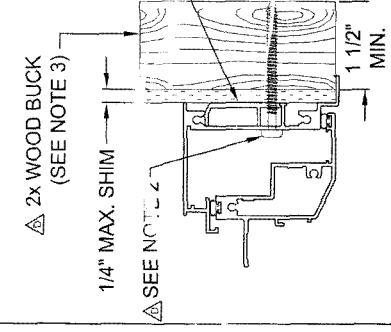
FIXED UNIT FRAME TO CONCRETE W/ WOOD BUCK LESS THAN 1 1/2" THICK



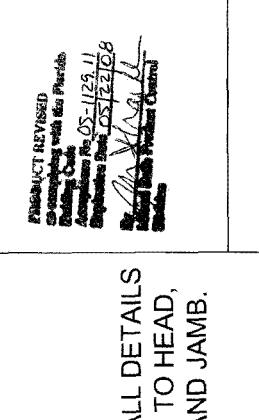
FIXED UNIT FRAME TO WOOD BUCK 1 1/2" OR MORE THICK



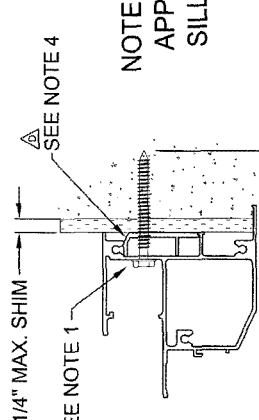
OPERABLE UNIT FRAME TO CONCRETE W/ WOOD BUCK LESS THAN 1 1/2" THICK



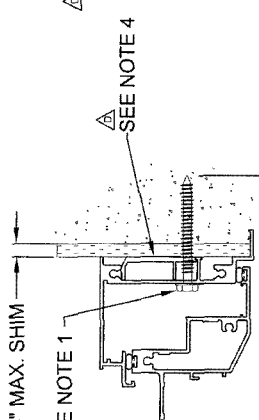
OPERABLE UNIT FRAME TO WOOD BUCK 1 1/2" OR MORE THICK



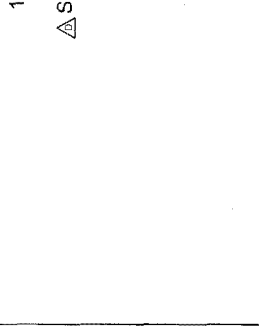
OPERABLE UNIT FRAME TO CONCRETE



FIXED UNIT FRAME TO CONCRETE



OPERABLE UNIT FRAME TO CONCRETE



OPERABLE UNIT FRAME TO CONCRETE

NOTE: ALL DETAILS APPLY TO HEAD, SILL, AND JAMB.

NOTES:

- FOR CONCRETE APPLICATIONS IN MIAMI-DADE COUNTY, USE ONLY MIAMI-DADE COUNTY APPROVED 1/4" ELCO TAPCONS OR 1/4" SS4 CRETE-FLEX CONCRETE ANCHORS. MINIMUM DISTANCE FROM ANCHOR TO CONCRETE EDGE IS 2 1/2". SEE SHEET 1 FOR SPACING.
- FOR WOOD APPLICATIONS IN MIAMI-DADE COUNTY, USE #12 SCREWS, 1/4" ELCO TAPCONS OR 1/4" ELCO SS4 CRETE-FLEX. SEE SHEET 1 FOR SPACING.
- WOOD BUCKS DEPICTED IN THE SECTIONS ON THIS PAGE AS 1x ARE BUCKS WHOSE TOTAL THICKNESS IS LESS THAN 1 1/2". 1x WOOD BUCKS ARE OPTIONAL IF UNIT IS INSTALLED DIRECTLY TO SOLID CONCRETE. WOOD BUCKS DEPICTED AS 2x ARE 1 1/2" THICK OR GREATER. INSTALLATION TO THE SUBSTRATE OF WOOD BUCKS TO BE ENGINEERED BY OTHERS OR AS APPROVED BY AUTHORITY HAVING JURISDICTION.
- ITEM 89, BACKING PLATE, NOT REQUIRED FOR INSTALLATIONS OUTSIDE OF MIAMI-DADE COUNTY.

Revised By: F.K. 3/25/03	Revised By: B	NO CHANGE THIS SHEET	PGI 1070 TECHNOLOGY DRIVE NOKOMIS, FL 34275 P.O. BOX 1629 NOKOMIS, FL 34274 Visibly Better	CA-740 NTS	13 of 13 Sheet	7045-8 D
Revised By: F.K. 7/10/03	Revised By: C	NO CHANGE THIS SHEET				
Revised By: F.K. 6/23/05	Revised By: D	REVISE NOTES AND REMOVE 3/16" TAPCONS & #14 SCREWS				
Drawn By: F.K. 12/17/02	Checked By:	Date:				

ANCHORAGE DETAILS

ALUMINUM CASEMENT WINDOW, IMPACT

PRODUCT REVISED as complying with the Florida Building Code, Amendments to 05-1126, 11 and 12-1126, 11. Approved by: *Lucas A. Turner* PE #52601 Mechanical

PRODUCT REVIEWED as complying with the Florida Building Code, Amendments to 05-1126, 11 and 12-1126, 11. Approved by: *Lucas A. Turner* PE #52601 Mechanical

Lucas A. Turner
11/2/05