



BUILDING CODE COMPLIANCE OFFICE (BCCO)
PRODUCT CONTROL DIVISION

MIAMI-DADE COUNTY, FLORIDA
METRO-DADE FLAGLER BUILDING
140 WEST FLAGLER STREET, SUITE 1603
MIAMI, FLORIDA 33130-1563
(305) 375-2901 FAX (305) 375-2908
www.buildingcodeonline.com

NOTICE OF ACCEPTANCE (NOA)

PGT Industries
1070 Technology Drive,
Nokomis, Fl. 34275

SCOPE:

This NOA is being issued under the applicable rules and regulations governing the use of construction materials. The documentation submitted has been reviewed by Miami-Dade County Product Control Division and accepted by the Board of Rules and Appeals (BORA) to be used in Miami Dade County and other areas where allowed by the Authority Having Jurisdiction (AHJ).

This NOA shall not be valid after the expiration date stated below. The Miami-Dade County Product Control Division (In Miami Dade County) and/or the AHJ (in areas other than Miami Dade County) reserve the right to have this product or material tested for quality assurance purposes. If this product or material fails to perform in the accepted manner, the manufacturer will incur the expense of such testing and the AHJ may immediately revoke, modify, or suspend the use of such product or material within their jurisdiction. BORA reserves the right to revoke this acceptance, if it is determined by Miami-Dade County Product Control Division that this product or material fails to meet the requirements of the applicable building code.

This product is approved as described herein, and has been designed to comply with the Florida Building Code, including the High Velocity Hurricane Zone.

DESCRIPTION: Series "730" Aluminum Sliding Glass Doors w/ wo Reinforcements -LMI

APPROVAL DOCUMENT: Drawing No.4406-1, titled "Alum. Sliding Glass Door- Impact", sheets 1through 19 of 19, prepared by manufacturer, dated 09-11-07 and last revised on 03/11/08, signed and sealed by Lucas A. Turner, P.E., bearing the Miami-Dade County Product Control Revision stamp with the Notice of Acceptance number and expiration date by the Miami-Dade County Product Control Division.

MISSILE IMPACT RATING: Large Missile Impact Resistant

- Limitation: 1. All 90 degree doors must be reinforced regardless of design pressure.
2. Refer to table in sheet 3 for Positive design pressure limitation Vs sill height

LABELING: Each unit shall bear a permanent label with the manufacturer's name or logo, city, state and following statement: "Miami-Dade County Product Control Approved", unless otherwise noted herein.

RENEWAL of this NOA shall be considered after a renewal application has been filed and there has been no change in the applicable building code negatively affecting the performance of this product.

TERMINATION of this NOA will occur after the expiration date or if there has been a revision or change in the materials, use, and/or manufacture of the product or process. Misuse of this NOA as an endorsement of any product, for sales, advertising or any other purposes shall automatically terminate this NOA. Failure to comply with any section of this NOA shall be cause for termination and removal of NOA.

ADVERTISEMENT: The NOA number preceded by the words Miami-Dade County, Florida, and followed by the expiration date may be displayed in advertising literature. If any portion of the NOA is displayed, then it shall be done in its entirety.

INSPECTION: A copy of this entire NOA shall be provided to the user by the manufacturer or its distributors and shall be available for inspection at the job site at the request of the Building Official.

This NOA revises NOA # 06-0523.03 consists of this page 1 as well as evidence sheet E-1 and approval document mentioned above.



NOA No. 07-0511.06
Expiration Date: November 11, 2009
Approval Date: April 03, 2008
Page 1

4
3/20/08

NOTICE OF ACCEPTANCE: EVIDENCE SUBMITTED

A. DRAWINGS

1. Manufacturer's die drawings and sections.
2. Drawing No. **4406-1**, titled "Alum. Sliding Glass Door- Impact", sheets 1 through 19 of 19, prepared by manufacturer, dated 09-11-07 and last revised on 03/11/08, signed and sealed by Lucas A. Turner, P.E.

B. TESTS (test reports transferred from file # 06-0523.03)

- Test report on
- 1) Air Infiltration Test, per FBC, TAS 202-94
 - 2) Uniform Static Air Pressure Test, per FBC, TAS 202-94
 - 3) Water Resistance Test, per FBC, TAS 202-94.
 - 4) Large Missile Impact Test per FBC, TAS 201-94
 - 5) Cyclic Wind Pressure Loading per FBC, TAS 203-94
 - 6) Forced Entry Test, per FBC 2411.3.2.1 (b) and TAS 202-94

Along with marked-up drawings and installation diagram of aluminum sliding door, prepared by Fenestration Testing Laboratory, Inc., Test Report No **FTL-4159**, dated March 25, 2004, **FTL-4161**, dated March 26, 2004, **FTL-4162**, dated March 30, 2004, **FTL-4163**, dated March 25, 2004, **FTL-4171**, dated March 29, 2004, **FTL-4454**, dated Jan 31, 2005, **FTL-4524** dated Jan 31, 2005, and **FTL-5084** dated Oct. 17, 2006 all signed and sealed by Edmundo Largaespada, P.E.

C. CALCULATIONS

1. Anchor verification and comparative analysis dated 10-01-07 and last revised on 03/11/08, prepared by PGT, signed and sealed by Lucas A. Turner, P.E.
2. Glazing complies with ASTM E-1300-02

D. QUALITY ASSURANCE

1. Miami Dade Building Code Compliance Office (BCCO).

E. MATERIAL CERTIFICATIONS

1. Notice of Acceptance No. **07-1116.04** issued to E.I. DuPont De Nemours & CO., Inc. for "DuPont SentryGlas® Plus", expiring on 01/14/2012.
2. Notice of Acceptance No. **05-1208.02** issued to "E.I. DuPont Denemours" for "DuPont Butacite® PVB" dated 02/15/01, expiring on 12/11/10.
3. Notice of Acceptance No. **03-0827.08** issued to Solutia Inc, for "Solutia Interlayer for laminated glass", expiring on 03/04/09.

F. STATEMENTS

1. Statement letter of conformance and no financial interest, dated 10-01-07, signed by Lucas A. Turner, P.E.
2. Letter of lab compliance, part of the above test reports.

G. OTHER

1. This NOA revises NOA # **06-0523.03**, expiring November 11, 2009.
2. Test proposal # 06-0114 dated 04-14-06 approved by BCCO.


Ishaq I. Chanda, P.E.

Product Control Examiner
NOA No. 07-0511.06

Expiration Date: November 11, 2009

Approval Date: April 03, 2008

GENERAL NOTES: IMPACT SLIDING GLASS DOOR (ALUM. REINFORCED / NON-REINFORCED)

1. GLAZING OPTION TYPES: (SEE DETAILS ON SHEET 2)
 - A. 7/16" LAMI CONSISTING OF (1) EXT. LITE OF 3/16" ANNEALED GLASS AND (1) INT. LITE OF 3/16" HEAT STRENGTHENED GLASS WITH AN .090 SENTRYGLAS PLUS (SGP) INTERLAYER. TEST REPORTS FTL-4159 AND FTL-4161.
 - B. 7/16" LAMI CONSISTING OF (2) LITES (1 EXT., 1 INT.) OF 3/16" HEAT STRENGTHENED GLASS WITH AN .090 SENTRYGLAS PLUS (SGP) INTERLAYER. TEST REPORT FTL-4163.
 - C. 7/16" LAMI CONSISTING OF (1) EXT. LITE OF 3/16" ANNEALED GLASS AND (1) INT. LITE OF 3/16" HEAT STRENGTHENED GLASS WITH AN .090 PVB INTERLAYER OF DUPONT BUTACITE OR SAFLEX/KEEPSAFE MAXIMUM PVB. TEST REPORT FTL-4171.
 - D. 7/16" LAMI CONSISTING OF (2) LITES (1 EXT., 1 INT.) OF 3/16" HEAT STRENGTHENED GLASS WITH AN .090 PVB INTERLAYER OF DUPONT BUTACITE OR SAFLEX/KEEPSAFE MAXIMUM PVB. TEST REPORT FTL-4171.
 - E. 1 1/16" LAMI I.G. CONSISTING OF (1) LITE OF 3/16" TEMPERED GLASS OUTSIDE, 7/16" AIR SPACE AND (1) 7/16" LAMI GLASS ASSEMBLY INSIDE. THE 7/16" LAMI COMPONENT IS ITEM C ABOVE. TEST REPORT FTL-4162.
 - F. 1 1/16" LAMI I.G. CONSISTING OF (1) LITE OF 3/16" TEMPERED GLASS OUTSIDE, 7/16" AIR SPACE AND (1) 7/16" LAMI GLASS ASSEMBLY INSIDE. THE 7/16" LAMI COMPONENT IS ITEM D ABOVE. TEST REPORT FTL-4162.
 - G. 9/16" LAMI CONSISTING OF (2) LITES (1 EXT., 1 INT.) OF 1/4" HEAT STRENGTHENED GLASS WITH AN .090 SENTRYGLAS PLUS (SGP) INTERLAYER. TEST REPORT FTL-4163.
2. CONFIGURATIONS: SEE SHEETS 4 AND 5. REINFORCEMENT REQUIREMENTS SEE NOTE 2, SHEET 3.
3. DESIGN PRESSURES: (SEE TABLES 1 THROUGH 6, SHEET 3)
 - A. NEGATIVE DESIGN LOADS BASED ON TESTED PRESSURE AND GLASS TABLES ASTM E 1300-02.
 - B. POSITIVE DESIGN LOADS BASED ON WATER TEST PRESSURE AND GLASS TABLES ASTM E 1300-02.
4. ANCHORAGE: THE 33 1/3% STRESS INCREASE HAS NOT BEEN USED IN THE DESIGN OF THIS PRODUCT. FOR ANCHORAGE DETAILS SEE SHEETS 15 THROUGH 19.
5. SHUTTERS ARE NOT REQUIRED.
6. INSTALLATION SCREWS, FRAME AND PANEL CORNERS SEALED WITH NARROW JOINT SEALANT.
7. REFERENCES: TEST REPORTS FTL-4159, FTL-4161, FTL-4162, FTL-4163, FTL-4171, FTL-4454, FTL-4524 AND FTL-5084.
ENSO TEXTRON NOA: 04-0721.01, 03-0225.05
ANSI/AFPA NDS-2005 FOR WOOD CONSTRUCTION
ADM-2005 ALUMINUM DESIGN MANUAL
8. SERIES/MODEL DESIGNATION SGD730, 2-TRACK VERSION ALSO PREVIOUSLY REFERRED TO AS SGD70.
9. THIS PRODUCT HAS BEEN DESIGNED & TESTED TO COMPLY WITH THE REQUIREMENTS OF THE FLORIDA BUILDING CODE, CURRENT EDITION INCLUDING THE HIGH VELOCITY HURRICANE ZONE (HVHZ).
10. DOORS SIZES MUST BE VERIFIED FOR COMPLIANCE WITH EGRESS REQUIREMENTS PER FLORIDA BUILDING CODE, AS APPLICABLE.

NOA DRAWING MAP

GENERAL NOTES.....	SHEET
GLAZING DETAILS.....	1
DESIGN PRESSURES.....	2
ELEVATIONS.....	3
CONFIGURATIONS.....	4
VERT. SECTIONS.....	4-5
HORIZ. SECTIONS.....	6-8
PARTS LIST.....	9-11
EXTRUSIONS.....	12
ANCHORAGE.....	13-14
	15-19

PRODUCT REVISED
as complying with the Florida
Building Code
Acceptance No 07-0511-06
Expiration Date Nov 11, 2009
By: *Glenn L. Chandy*
Miami Data Product Control
Division

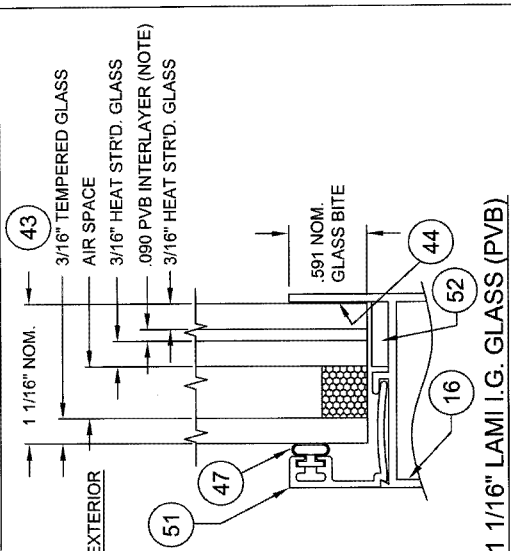
Lucas A. Turner
3/11/08

Lucas A. Turner, P.E.
PE #95201
Mechanical

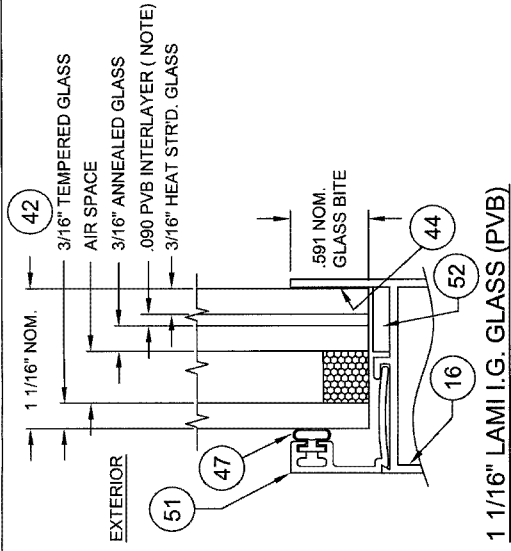
Revised By: F.K.	Date: 9/11/07	Revision: G	ADD REINF. / NON-REINF. TO GEN. NOTES. ADD NOTE RE EGRESS. ADD TYPES TO NOTE 1 & UPDATE NDS REFERENCE NOTE 7.
Revised By: J.D.	Date: 10/16/07	Revision: H	CLARIFY EXT./INT. OF GLASS RECIPES. NOTE 1.
Revised By: F.K.	Date: 12/13/07	Revision: J	NO CHANGE THIS SHEET
Drawn By: F.K.	Date: 6/18/04	Checked By: J.J.	Date: 4/15/05

Description:		GENERAL NOTES AND MAP	
Title:	SGD730	Sheet:	1 of 19
Series/Model:	ALUM. SLIDING GLASS DOOR, IMPACT	Drawing No.:	4406-1
Scale:		Rev:	I

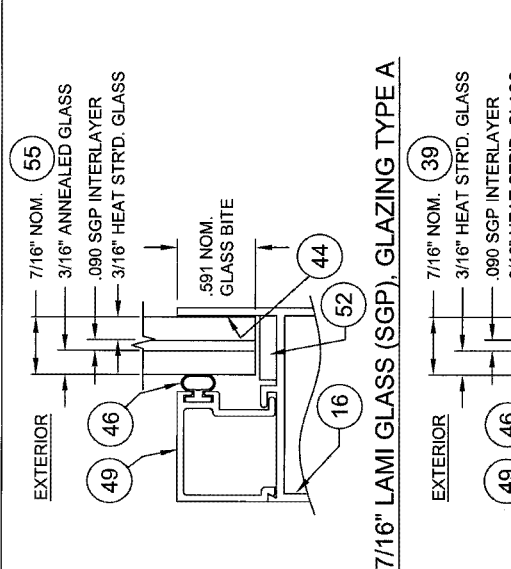
1070 TECHNOLOGY DRIVE NOKOMIS, FL 34279 P.O. BOX 1929 NOKOMIS, FL 34274	
PGT Visibly Better	



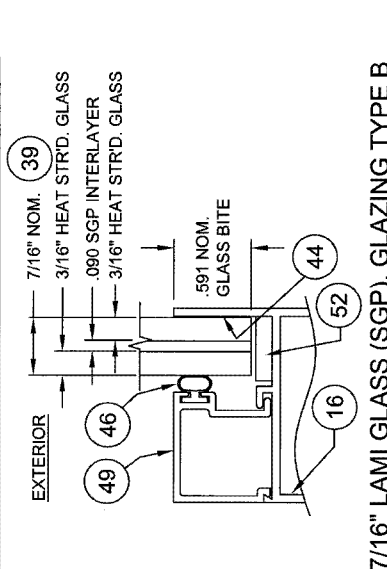
1 1/16" LAMI I.G. GLASS (PVB)
GLAZING TYPE F



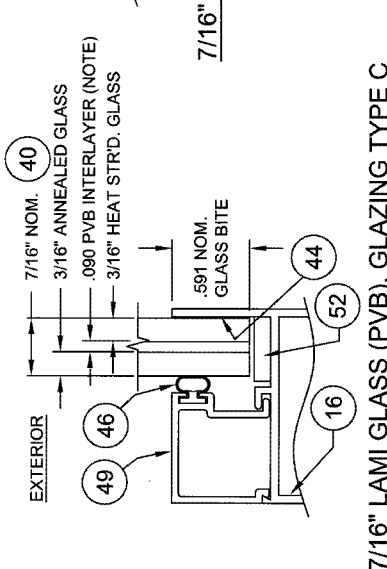
1 1/16" LAMI I.G. GLASS (PVB)
GLAZING TYPE E



7/16" LAMI GLASS (SGP), GLAZING TYPE A

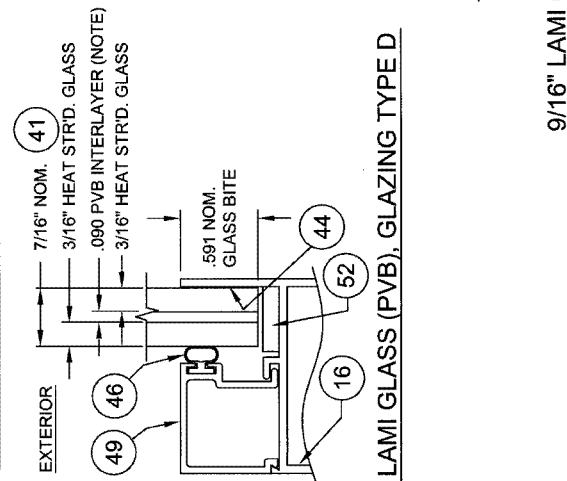


7/16" LAMI GLASS (SGP), GLAZING TYPE B



7/16" LAMI GLASS (PVB), GLAZING TYPE D

NOTE: PVB INTERLAYER IS DUPONT BUTACITE OR SAFLEX/KEEPSAFE MAXIMUM.



9/16" LAMI GLASS (SGP), GLAZING TYPE G

PRODUCT REVISED
in compliance with the Florida
Building Code
Assessment No. 07-0711-06
Expiration Date 12/31/2007
By: Lucas L.L. L...
Miami District Product Control
Division

Handwritten signature and date: Lucas L.L. L... 3/11/08

Lucas A. Turner, P.E.
PE #8201
Mechanical

Title: ALUM. SLIDING GLASS DOOR, IMPACT Scale: FULL Sheet: 2 of 19 Drawing No.: 4406-1 Rev: I	Description: ALUM. SLIDING GLASS DOOR, GLAZING TYPE G
1070 TECHNOLOGY DRIVE NOKOMIS, FL 34275 P.O. BOX 1629 NOKOMIS, FL 34274	
Revisions: 9/11/07 G SEPARATED GLAZING DETAILS AND ADDED GLASS TYPE DESIGNATION 10/16/07 H NO CHANGE THIS SHEET 12/13/07 I NO CHANGE THIS SHEET Checked By: J.J. Date: 4/15/05	Project No.: Drawing No.: Sheet No.:

TABLE 1.

90° CORNER AND STRAIGHT DOORS WITH EXTENDED SILL, 3 1/2" HIGH (REINFORCEMENT REQUIRED)
 A. FTL-4159, FTL-4161: 7/16 LAMI (3/16A EXT. + 090 SGP+3/16HS INT.) SEE REINFORCEMENT DETAILS ON SHEETS 9 & 10
 B. FTL-4163, FTL-4161: 7/16 LAMI (3/16HS EXT. + 090 SGP+3/16HS INT.) G. FTL-4163: 9/16 LAMI (1/4HS EXT. + 090 SGP+1/4HS INT.)

NOM. PANEL WIDTH	DOOR HEIGHT									
	80" (6 ^B)	84" (7 ⁰)	90" (7 ⁶)	96" (8 ⁰)	102" (8 ⁶)	108" (9 ⁰)	114" (9 ⁶)	120" (10 ⁰)		
24" (2 ⁰)	A,B,G	+70.0 -70.0	+70.0 -70.0	+70.0 -70.0	+70.0 -70.0	+60.0 -60.0	+60.0 -60.0	+60.0 -60.0	+60.0 -60.0	+60.0 -60.0
30" (2 ⁶)	A,B,G	+70.0 -70.0	+70.0 -70.0	+70.0 -70.0	+70.0 -70.0	+60.0 -60.0	+60.0 -60.0	+60.0 -60.0	+60.0 -60.0	+60.0 -60.0
36" (3 ⁰)	A,B,G	+70.0 -70.0	+70.0 -70.0	+70.0 -70.0	+70.0 -70.0	+60.0 -60.0	+60.0 -60.0	+60.0 -60.0	+60.0 -60.0	+60.0 -60.0
42" (3 ⁶)	A	+70.0 -70.0	+70.0 -70.0	+70.0 -70.0	+69.5 -69.5	+60.0 -60.0	+60.0 -60.0	+59.8 -59.8	+57.9 -57.9	+60.0 -60.0
	B,G	+70.0 -70.0	+70.0 -70.0	+70.0 -70.0	+70.0 -70.0	+60.0 -60.0	+60.0 -60.0	+60.0 -60.0	+60.0 -60.0	+60.0 -60.0
48" (4 ⁰)	A	+70.0 -70.0	+70.0 -70.0	+68.0 -68.0	+62.5 -62.5	+58.0 -58.0	+54.4 -54.4	+51.7 -51.7	+49.9 -49.9	+60.0 -60.0
	B,G	+70.0 -70.0	+70.0 -70.0	+70.0 -70.0	+70.0 -70.0	+60.0 -60.0	+60.0 -60.0	+60.0 -60.0	+60.0 -60.0	+60.0 -60.0
54" (4 ⁶)	A	+70.0 -70.0	+68.5 -68.5	+62.9 -62.9	+57.5 -57.5	NOT AVAILABLE				
	B,G	+70.0 -70.0	+70.0 -70.0	+70.0 -70.0	+70.0 -70.0	NOT AVAILABLE				
60" (5 ⁰)	A	+66.2 -66.2	+62.8 -62.8	+58.8 -58.8	+53.9 -53.9	NOT AVAILABLE				
	B,G	+70.0 -70.0	+70.0 -70.0	+70.0 -70.0	+70.0 -70.0	NOT AVAILABLE				

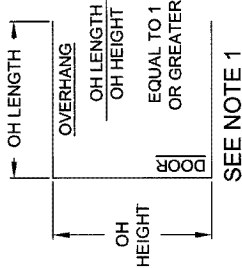
TABLE 2.

90° CORNER AND STRAIGHT DOORS WITH EXTENDED SILL, 3 1/2" HIGH (REINFORCEMENT NOT REQUIRED AT STRAIGHT INTERLOCKS & ASTRAGALS)
 C. FTL-4171: 7/16 LAMI (3/16A EXT. + 090 PVB+3/16HS INT.)
 D. FTL-4171: 7/16 LAMI (3/16HS EXT. + 090 PVB+3/16HS INT.)
 E. FTL-4162: 1 1/16 LAMI I.G., 3/16T CAP+7/16 AIR SPACE+7/16 LAMI (3/16A EXT. + 090 PVB+3/16HS INT.)
 F. FTL-4162: 1 1/16 LAMI I.G., 3/16T CAP+7/16 AIR SPACE+7/16 LAMI (3/16HS EXT. + 090 PVB+3/16HS INT.)

NOM. PANEL WIDTH	DOOR HEIGHT				
	80" (6 ^B)	84" (7 ⁰)	90" (7 ⁶)	96" (8 ⁰)	
24" (2 ⁰)	C,D	+80.0 -80.0	+80.0 -80.0	+80.0 -80.0	+80.0 -80.0
30" (2 ⁶)	E,F	+80.0 -80.0	+80.0 -80.0	+80.0 -80.0	+80.0 -80.0
	C,D	+80.0 -80.0	+80.0 -80.0	+80.0 -80.0	+80.0 -80.0
36" (3 ⁰)	E,F	+80.0 -80.0	+80.0 -80.0	+80.0 -80.0	+80.0 -80.0
	C,D	+80.0 -80.0	+80.0 -80.0	+80.0 -80.0	+80.0 -80.0
42" (3 ⁶)	E,F	+76.8 -76.8	+73.2 -73.2	+68.0 -68.0	+62.5 -62.5
	C,D	+80.0 -80.0	+80.0 -80.0	+80.0 -80.0	+80.0 -80.0

NOTES: 1. FOR DOORS WITH 2.436" OR 2.713" SILL HEIGHTS: POSITIVE DESIGN PRESSURE IS LIMITED TO +40.0 PSF FOR ALL SIZES AND CONFIGURATIONS. NEGATIVE PRESSURES ARE NOT CHANGED. SEE VERTICAL SECTIONS, SHEETS 6 THROUGH 8. POSITIVE DESIGN PRESSURES SHOWN IN TABLES 1 AND 2 MAY BE USED WHEN THE DOOR IS PROTECTED BY AN OVERHANG COMPLYING WITH THE FLORIDA BUILDING CODE (SEE DIAGRAM ABOVE); THIS CONDITION IS NOT RATED FOR WATER INFILTRATION.
 2. SEE SHEETS 9 THROUGH 11 FOR ASTRAGAL, CORNER ASTRAGAL AND INTERLOCK REINFORCEMENT DETAILS REFERRED TO IN TABLES 1 AND 2 ABOVE.

90° CORNERS REQUIRE REINFORCEMENT IN CORNER BASE STILES REGARDLESS OF THE DP TABLE USED.



SEE NOTE 1	POS. DESIGN PRESS.
SILL HEIGHT	3.500"
	+80 PSF
	2.713"
	+40 PSF
	2.437"
	+40 PSF

PROJECT REVIEWED as complying with the Florida Building Code Acceptance No. 22-2571-06 Expiration Date 08/11/2027
 By: Lucas A. Turner, P.E. Mechanical
 Miami-Dade Prohibited Control Division

Handwritten signature and date: 3/11/08

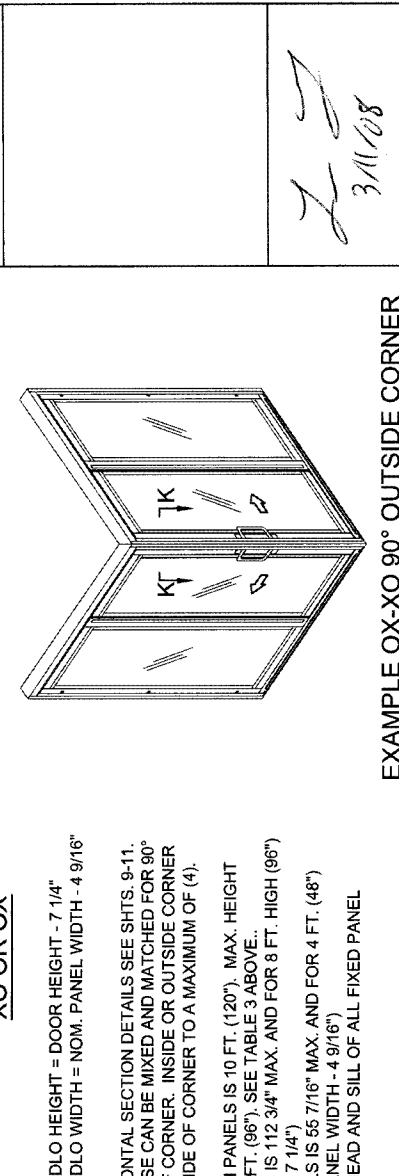
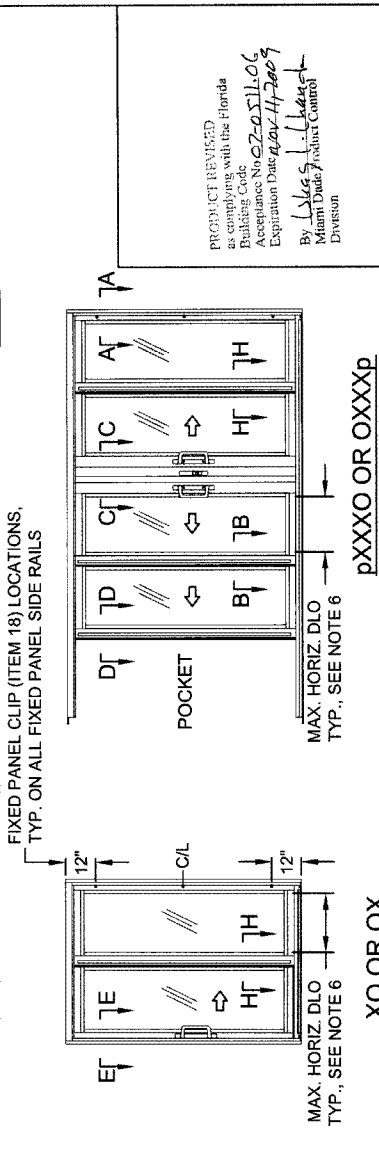
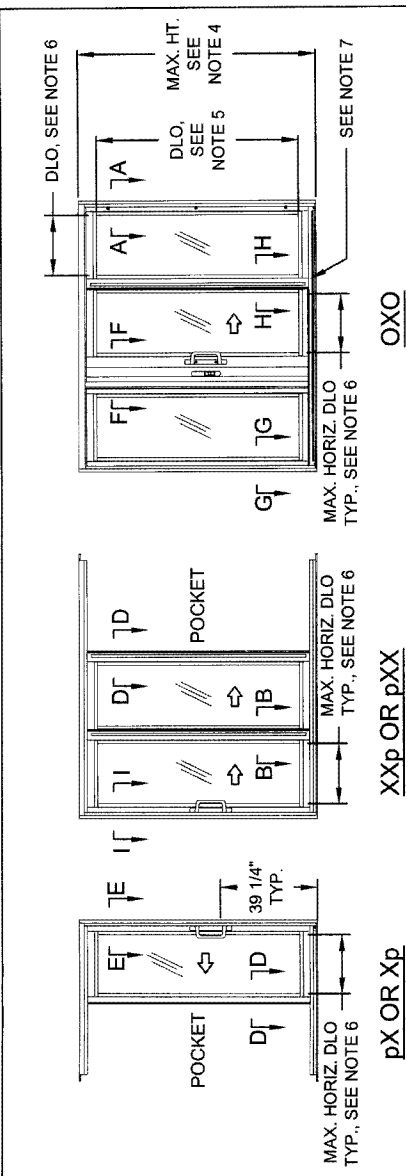
Lucas A. Turner, P.E.
 PE #69201
 Mechanical

Revised By: Date: 8/1/07
 F.K. G
 Revised By: Date: 10/16/07
 F.K. H
 Revised By: Date: 12/13/07
 F.K. I
 Drawn By: Date: 6/19/04
 F.K. J.J. 4/15/05

1070 TECHNOLOGY DRIVE
 NOKOMIS, FL 34275
 P.O. BOX 1629
 NOKOMIS, FL 34274

Designation: DESIGN PRESSURES
 Title: ALUM. SLIDING GLASS DOOR, IMPACT
 Sheet: FULL 3 of 19
 Drawing No. 4406-1
 Rev: I

PGI
 Visibly Better



EXAMPLE OX-XO 90° OUTSIDE CORNER

PRODUCT REVISED as complying with the Florida Building Code Acceptance No. 2020-111-06 Expiration Date 02/17/2029
By: [Signature] Product Control Division

Lucas A. Turner, P.E.
PE #5201
Mechanical

3/11/08

CONFIGURATION	PANELS	TRACKS	AVAILABLE IN 90° CORNER
O	1	2	✓
Xp or pX	1	2	✓
OO	2	2	✓
OX or XO BY-PASS	2	2	✓
pXp	2	2	NA
XX BY-PASS	2	2	✓
pXX or Xxp	2	2	✓
XOX BY-PASS	3	2	✓
OOO	3	2	✓
OXO BY-PASS	3	2	NA
pXO or OXp	3	2	✓
OOX or XO BY-PASS	3	2	✓
OOX or XOX BY-PASS	3	3	✓
OX or XO BY-PASS	3	3	✓
XX BY-PASS	3	3	✓
pXX or Xxp	3	3	✓
OOX or XO BY-PASS	3	2	✓
OOO	4	2	✓
OXO BY-PASS	4	2	NA
OXXp or pXXX	4	2	✓
pXXXX or XXXp BY-PASS	4	2	✓
XXXX BY-PASS	4	2	✓
pXXXX	4	2	✓
OOX or XOX BY-PASS	4	4	✓
OOX or XOX BY-PASS	4	4	✓
OXX or XOX BY-PASS	4	4	✓
XXXX BY-PASS	4	4	✓
pXXXX or XXXp	4	4	✓
XXXX BY-PASS	5	3	NA
XXXX BY-PASS	6	3	NA
XXXX BY-PASS	6	3	NA
pXXXXXXXp	8	4	NA
XXXXXXXX	8	4	NA

TABLE 3. (LOWER CASE p REPRESENTS POCKET)

NOTES:

- FOR VERTICAL SECTION DETAILS SEE SHTS. 6-8. FOR HORIZONTAL SECTION DETAILS SEE SHTS. 9-11.
- FOR APPROVED PANEL CONFIGURATIONS SEE SHEET 5. THESE CAN BE MIXED AND MATCHED FOR 90° CORNER DOORS TO A MAXIMUM OF (4) PANELS EACH SIDE OF CORNER. INSIDE OR OUTSIDE CORNER DOOR FRAMES HAVE THE SAME NUMBER OF TRACKS EACH SIDE OF CORNER TO A MAXIMUM OF (4).
- FOR ANCHORAGE DETAILS SEE SHEETS 15-19.
- MAX. HEIGHT FOR DOORS WITH UP TO 4 FT. (48") NOM. WIDTH PANELS IS 10 FT. (120"). MAX. HEIGHT FOR DOORS WITH UP TO 5 FT. (60") NOM. WIDTH PANELS IS 8 FT. (96"). SEE TABLE 3 ABOVE.
- VERTICAL DAYLIGHT OPENING FOR 10 FT. HIGH (120") DOORS IS 112 3/4" MAX. AND FOR 8 FT. HIGH (96") DOORS IS 88 3/4" MAX. (MAX. DLO HEIGHT = DOOR HEIGHT - 7 1/4")
- HORIZONTAL DAYLIGHT OPENING FOR 5 FT. (60") WIDE PANELS IS 55 7/16" MAX. AND FOR 4 FT. (48") WIDE PANELS IS 43 7/16" MAX. (MAX. DLO WIDTH = NOM. PANEL WIDTH - 4 9/16")
- FIXED PANEL ANGLE BRACKETS (ITEM 54) LOCATED AT THE HEAD AND SILL OF ALL FIXED PANEL INTERLOCKS. SEE SHEET 10 FOR DETAIL VIEW.

PGI
1070 TECHNOLOGY DRIVE
NOKOMIS, FL 34275
P.O. BOX 1639
NOKOMIS, FL 34274
Visibility Better

EXAMPLE ELEVATIONS & CONFIGURATION DIMENSIONS
ALUM. SLIDING GLASS DOOR, IMPACT

SGD730 Qty 4 of 19 Drawing No. 4406-1

Rev. I

ADD 90 DEGREE TO CORNER LABELS. ADD EXAMPLE CORNER ELEVATION. COMBINE NOTES 6 & 8 WITH NOTE 2.

Revised By: Date: 6/1/07
F.K. G

Revised By: Date: 10/16/07
F.K. H

Revised By: Date: 12/13/07
F.K. I

Checked By: Date: 4/15/08
J.J.

D	OPERABLE LOCKSTILE		RIGHT HAND INTERLOCK
G	OPERABLE LOCKSTILE		DOUBLE INTERLOCK
GR	DOUBLE INTERLOCK		OPERABLE LOCKSTILE
Y	FIXED LOCKSTILE		DOUBLE INTERLOCK
YR	DOUBLE INTERLOCK		FIXED LOCKSTILE
SD	L.H. INTERLOCK		DOUBLE INTERLOCK
DS	DOUBLE INTERLOCK		R.H. INTERLOCK
W	DOUBLE INTERLOCK		ASTRAGAL BASE W/FEMALE ADD-ON
WM	DOUBLE INTERLOCK		ASTRAGAL BASE W/MALE ADD-ON
WR	ASTRAGAL BASE W/MALE ADD-ON		DOUBLE INTERLOCK
R	FIXED LOCKSTILE		DOUBLE INTERLOCK
S	FIXED LOCKSTILE		ASTRAGAL BASE W/FEMALE ADD-ON
K	L.H. INTERLOCK		OPERABLE LOCKSTILE
L	L.H. INTERLOCK		ASTRAGAL BASE W/FEMALE ADD-ON
FC	FIXED LOCKSTILE		CORNER BASE STILE W/OUTSIDE CORNER RECEIVER STILE
CF	CORNER BASE STILE W/OUTSIDE CORNER RECEIVER STILE		FIXED LOCKSTILE

LM	L.H. INTERLOCK		ASTRAGAL BASE W/MALE ADD-ON
LM	ASTRAGAL BASE W/MALE ADD-ON		R.H. INTERLOCK
RP	FIXED LOCKSTILE		R.H. INTERLOCK
PR	L.H. INTERLOCK		FIXED LOCKSTILE
I	DOUBLE INTERLOCK		DOUBLE INTERLOCK
J	OPERABLE LOCKSTILE		ASTRAGAL BASE
U	ASTRAGAL BASE W/FEMALE ADD-ON		OPERABLE LOCKSTILE
T	ASTRAGAL BASE W/FEMALE ADD-ON		FIXED LOCKSTILE
DC	DOUBLE INTERLOCK		CORNER BASE STILE W/OUTSIDE CORNER RECEIVER STILE
CD	CORNER BASE STILE W/OUTSIDE CORNER RECEIVER STILE		DOUBLE INTERLOCK
DA	DOUBLE INTERLOCK		CORNER BASE STILE W/INSIDE CORNER RECEIVER STILE
AD	CORNER BASE STILE W/INSIDE CORNER RECEIVER STILE		DOUBLE INTERLOCK
DQ	DOUBLE INTERLOCK		CORNER BASE STILE W/CORNER LOCK STILE
QD	CORNER BASE STILE W/CORNER LOCK STILE		DOUBLE INTERLOCK
AC	FIXED LOCKSTILE		CORNER BASE STILE W/INSIDE CORNER RECEIVER STILE
CA	CORNER BASE STILE W/INSIDE CORNER RECEIVER STILE		FIXED LOCKSTILE

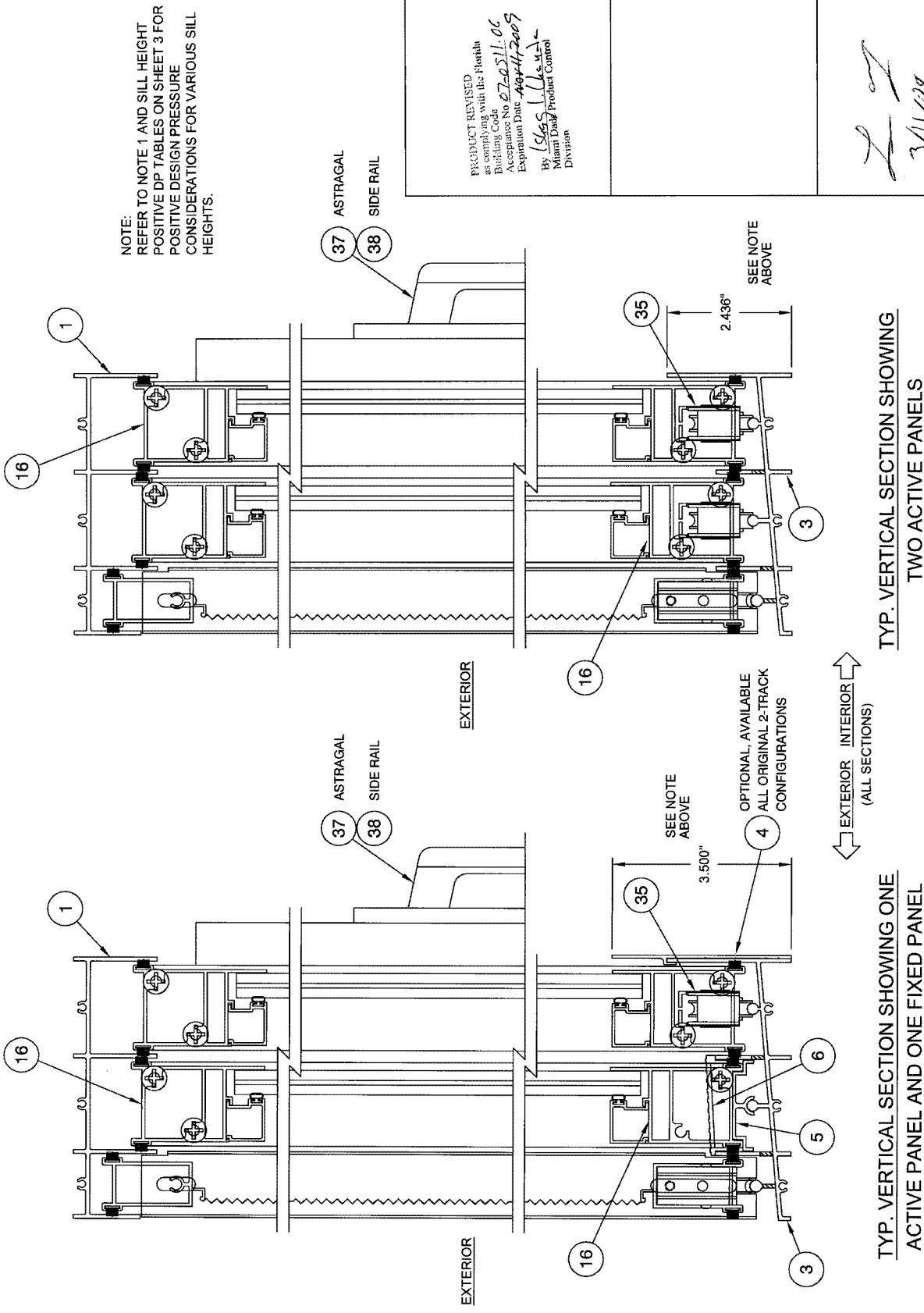
INTERIOR
 (ALL CONFIGURATIONS)
 EXTERIOR

PRODUCT REVISED
 as complying with the Florida
 Building Code
 Acceptance No 22-2511-06
 Expiration Date 12/11/2009
 By: *Lucas A. Turner*
 Miami Door Product Control
 Division

2-2
3/1/08

Lucas A. Turner, P.E.
 PE #92801
 Mechanical

PGI Visible Better	Description: PANEL TYPES Title: ALUM. SLIDING GLASS DOOR, IMPACT Series/Model: SGT730	Scale: NTS Sheet: 5 of 19 Drawing No. 4406-1	Rev: I
1070 TECHNOLOGY DRIVE NOKOMIS, FL 34275 P.O. BOX 1629 NOKOMIS, FL 34274	Revisions: G NO CHANGE THIS SHEET H NO CHANGE THIS SHEET I NO CHANGE THIS SHEET	Checked By: <i>J.J.</i> Date: 4/16/04	Drawn By: <i>J.J.</i> Date: 8/18/04



NOTE:
REFER TO NOTE 1 AND SILL HEIGHT
POSITIVE DP TABLES ON SHEET 3 FOR
POSITIVE DESIGN PRESSURE
CONSIDERATIONS FOR VARIOUS SILL
HEIGHTS.

PRODUCT REVISED
as required with the Florida
Building Code
Acceptance No. 27-0511-06
Expiration Date: 04/24/2009
By: S.G.S. I.L.L. & L.L.
Miami Dade Product Control
Division

[Handwritten signature]
3/1/09

Lucas A. Turner, P.E.
PE #65201
Mechanical

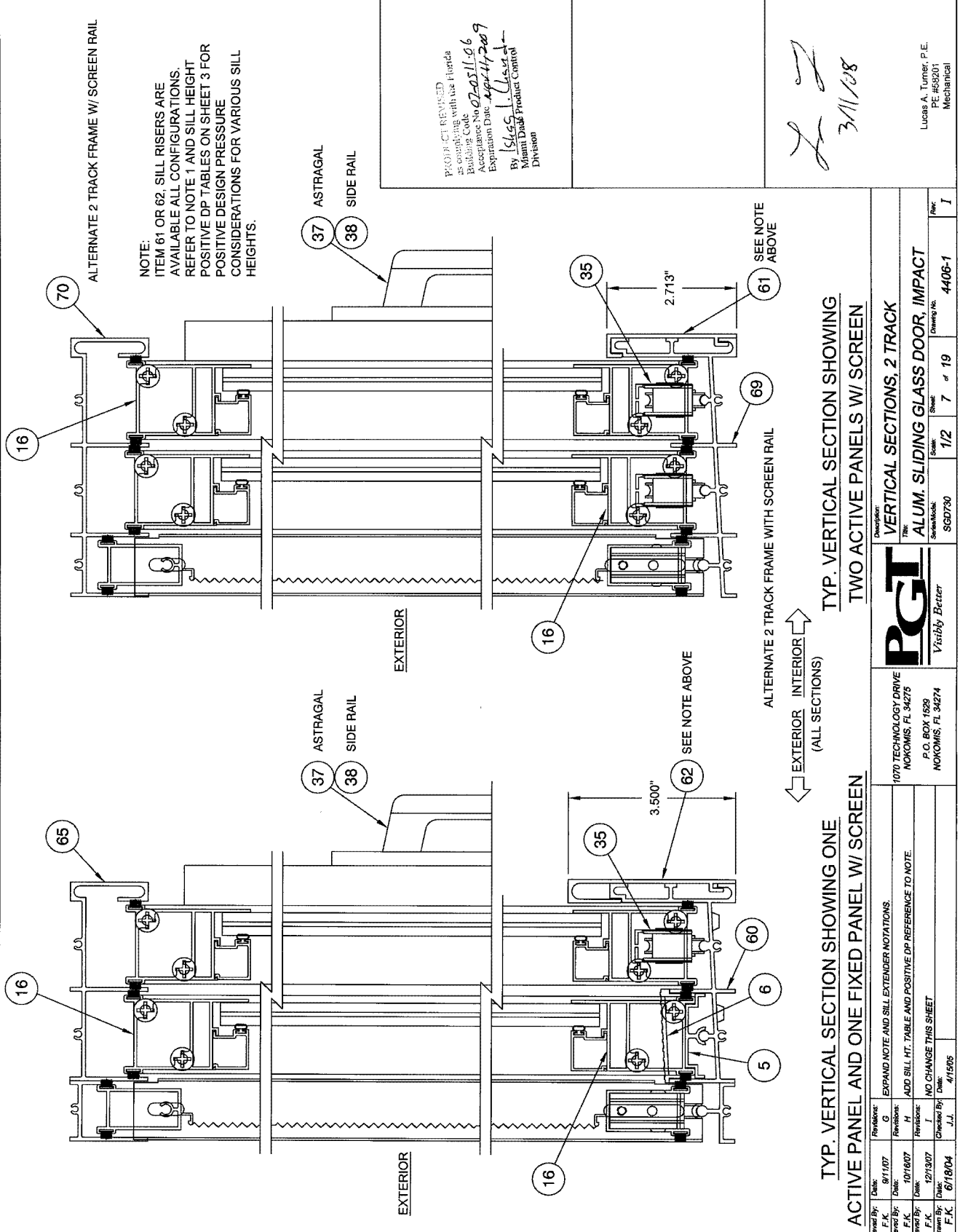
TYP. VERTICAL SECTION SHOWING
TWO ACTIVE PANELS

TYP. VERTICAL SECTION SHOWING ONE
ACTIVE PANEL AND ONE FIXED PANEL

EXTERIOR INTERIOR (ALL SECTIONS)

Revised By: F.K.	Date: 8/11/07	Revision: C	ADD NOTE RE NO SILL EXTENDER POS. PRESSURE
Revised By: F.K.	Date: 10/18/07	Revision: H	ADD SILL HT. TABLE AND POSITIVE DP REFERENCE TO NOTE.
Revised By: F.K.	Date: 12/13/07	Revision: J	NO CHANGE THIS SHEET
Drawn By: F.K.	Date: 6/18/04	Checked By: J.J.	Date: 4/15/05

Manufacturer: PGT	1070 TECHNOLOGY DRIVE NOKOMIS, FL 34278			
The: ALUM. SLIDING GLASS DOOR, IMPACT	P.O. BOX 1828 NOKOMIS, FL 34274			
Series: SGD730	Style: 1/2	Color: 6	Finish: 19	Drawing No.: 4406-1



NOTE:
 ITEM 61 OR 62, SILL RISERS ARE AVAILABLE ALL CONFIGURATIONS. REFER TO NOTE 1 AND SILL HEIGHT POSITIVE DP TABLES ON SHEET 3 FOR POSITIVE DESIGN PRESSURE CONSIDERATIONS FOR VARIOUS SILL HEIGHTS.

PROJECT REVIEWED
 as complying with the Florida Building Code
 Acceptance No. 07-0511-06
 Expiration Date: 4/21/2009
 By: *L. Lucas*
 Miami Dade Product Control Division

L. Lucas
 3/11/08

Lucas A. Turner, P.E.
 PE #69201
 Mechanical

TYP. VERTICAL SECTION SHOWING ONE ACTIVE PANEL AND ONE FIXED PANEL W/ SCREEN

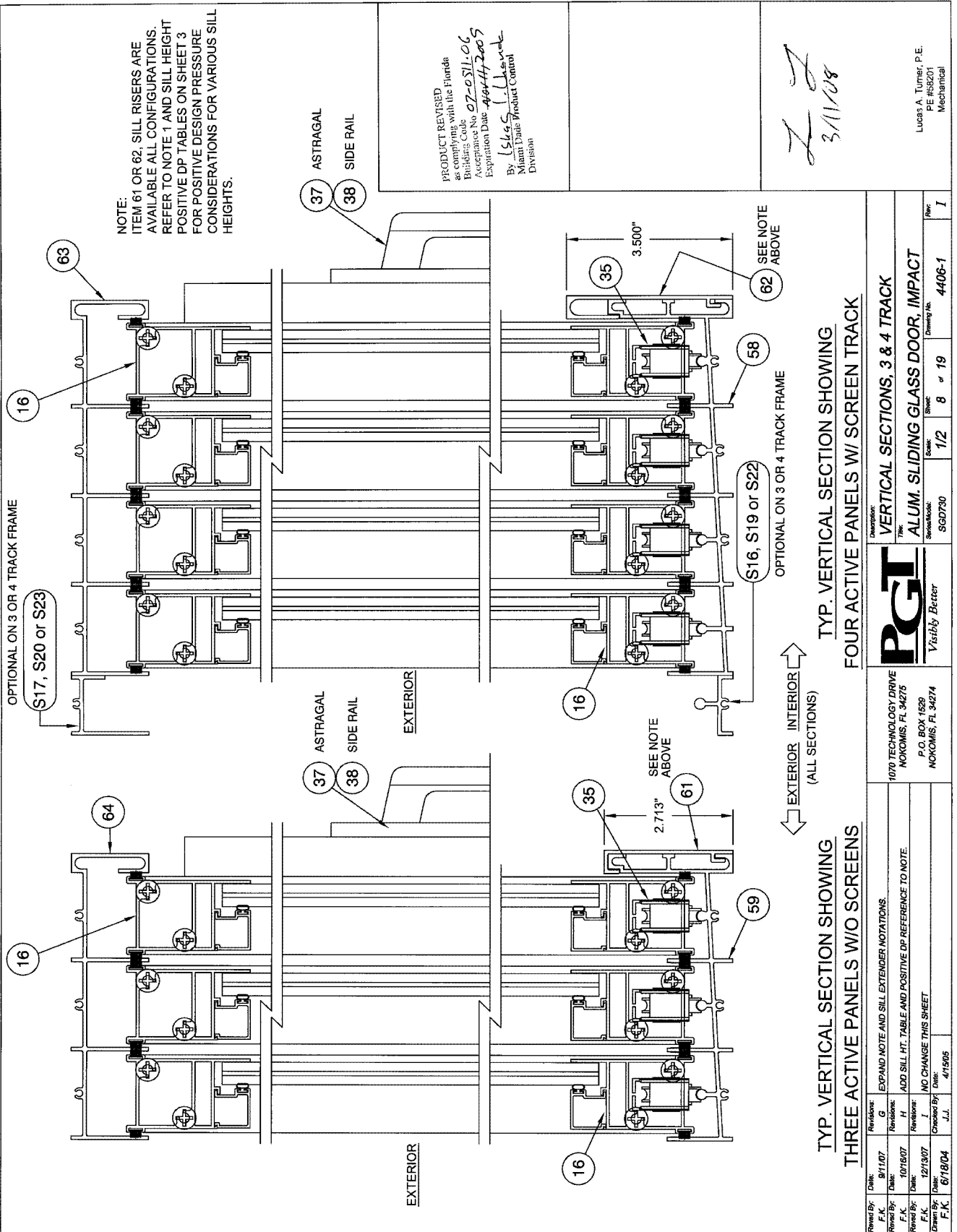
TYP. VERTICAL SECTION SHOWING TWO ACTIVE PANELS W/ SCREEN

EXTERIOR INTERIOR (ALL SECTIONS)

TYP. VERTICAL SECTION SHOWING ONE ACTIVE PANEL AND ONE FIXED PANEL W/ SCREEN

TYP. VERTICAL SECTION SHOWING TWO ACTIVE PANELS W/ SCREEN

Revised By: F.K.	Date: 8/11/07	Revisions: G	EXPAND NOTE AND SILL EXTENDER NOTATIONS.
Revised By: F.K.	Date: 10/16/07	Revisions: H	ADD SILL HT. TABLE AND POSITIVE DP REFERENCE TO NOTE.
Revised By: F.K.	Date: 12/7/07	Revisions: I	NO CHANGE THIS SHEET
Drawn By: F.K.	Date: 6/18/04	Checked By: J.L.	Date: 4/15/05
Description:		VERTICAL SECTIONS, 2 TRACK	
Title:		ALUM. SLIDING GLASS DOOR, IMPACT	
Scale:	1/2	Sheet:	7 of 19
Drawing No.:	SGD730	Sheet:	4405-1
Supplier:		PGI Visibly Better	
Address:		1070 TECHNOLOGY DRIVE NOKOMIS, FL 34275 P.O. BOX 1690 NOKOMIS, FL 34274	



NOTE:
 ITEM 61 OR 62, SILL RISERS ARE
 AVAILABLE ALL CONFIGURATIONS.
 REFER TO NOTE 1 AND SILL HEIGHT
 POSITIVE DP TABLES ON SHEET 3
 FOR POSITIVE DESIGN PRESSURE
 CONSIDERATIONS FOR VARIOUS SILL
 HEIGHTS.

PRODUCT REVISED
 as complying with the Florida
 Acceptance Code
 Acceptance No. 07-0511-06
 Expiration Date: 4/4/17/2009
 By: L.S.G.S. (L.L.)
 Miami Dade Product Control
 Division

Handwritten initials and date:
 ZJ
 3/11/08

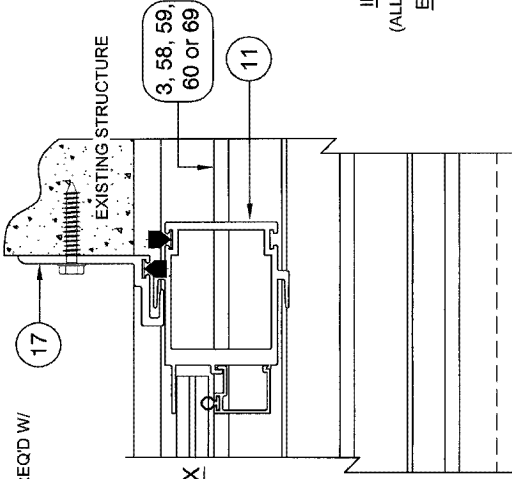
Lucas A. Turner, P.E.
 PE #8201
 Mechanical

TYP. VERTICAL SECTION SHOWING
 THREE ACTIVE PANELS W/O SCREENS

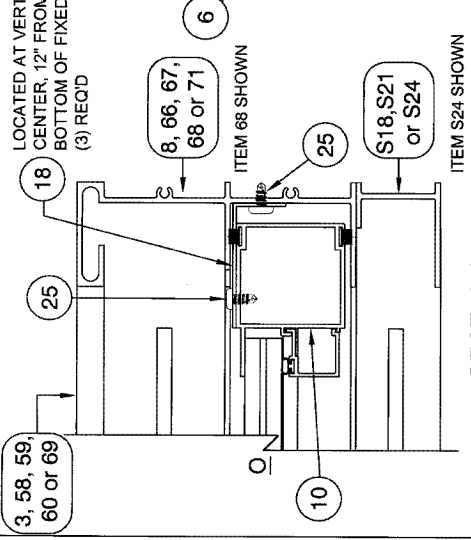
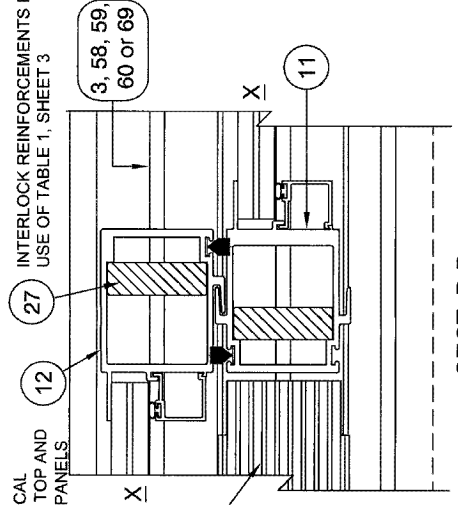
TYP. VERTICAL SECTION SHOWING
 FOUR ACTIVE PANELS W/ SCREEN TRACK

EXTERIOR INTERIOR
 (ALL SECTIONS)

Revised By:	F.K.	Date:	8/1/07	Revision:	G	EXPAND NOTE AND SILL EXTENDER NOTATIONS.	
Revised By:	F.K.	Date:	10/18/07	Revision:	H	ADD SILL HT. TABLE AND POSITIVE DP REFERENCE TO NOTE.	
Revised By:	F.K.	Date:	12/13/07	Revision:	I	NO CHANGE THIS SHEET	
Drawn By:	F.K.	Date:	6/18/04	Checked By:	J.L.	Date:	4/15/05
Description:		VERTICAL SECTIONS, 3 & 4 TRACK					
Title:		ALUM. SLIDING GLASS DOOR, IMPACT					
Scale:	1/2	Sheet:	8	of	19	Drawng No.	4406-1
Series:	SGD730						
Supplier:		PGI 1070 TECHNOLOGY DRIVE MOKOMIS, FL 34275 P.O. BOX 1629 MOKOMIS, FL 34274					
Manufacturer:		Visibly Better					



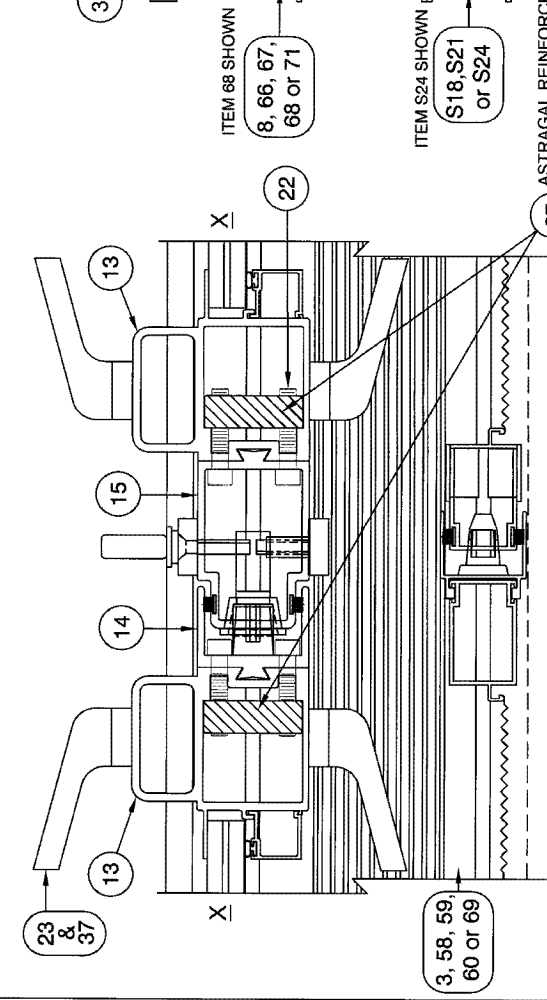
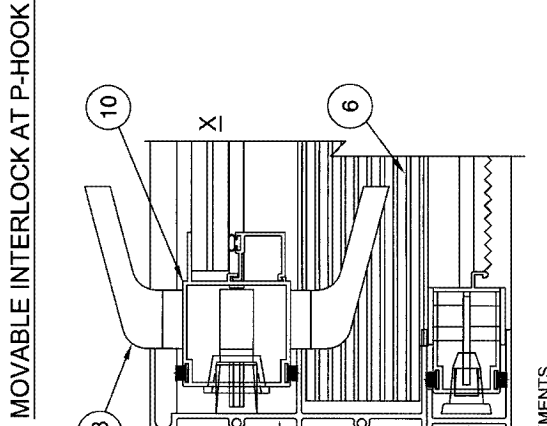
↑ INTERIOR
(ALL SECTIONS)
↓ EXTERIOR



SECT. D-D
MOVABLE INTERLOCK AT P-HOOK

SECT. B-B
DOUBLE & SINGLE INTERLOCK

SECT. A-A
FIXED STILE AT JAMB (OUTSIDE)



SECT. E-E
MOVABLE STILE AT JAMB (INSIDE)

SECT. C-C
MOVABLE TO MOVABLE ASTRAGAL (INSIDE SHOWN)

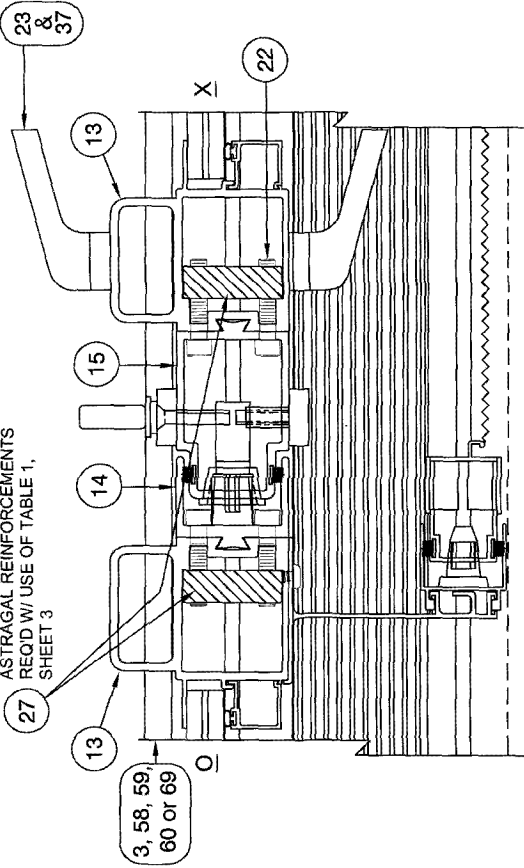
PRODUCT REVISED
as complying with the Florida
Building Code
Acceptance No. 02-1571-069
Expiration Date April 2009
By: Lucas A. Turner, P.E.
Miami Dade Product Control
Division

Handwritten signature and date: 3/1/08

Lucas A. Turner, P.E.
PE #9201
Mechanical

Revised By: F.K.	Date: 8/1/07	Revision: G	NO CHANGE THIS SHEET
Revised By: F.K.	Date: 10/18/07	Revision: H	CLARIFY DP TABLE REFERENCE FOR SECTIONS B-B AND C-C
Revised By: F.K.	Date: 12/15/07	Revision: I	NO CHANGE THIS SHEET
Drawn By: F.K.	Date: 6/18/04	Checked By: J.J.	Date: 4/15/05
Description:			Horizontal Sections
The:			ALUM. SLIDING GLASS DOOR, IMPACT
Series/Model:			SGD730
Scale:	1/2	Sheet:	9 of 19
Drawings No:	4406-1	Rev:	I
1070 TECHNOLOGY DRIVE NOKOMIS, FL 34275 P.O. BOX 1520 NOKOMIS, FL 34274			PGI Visibly Better

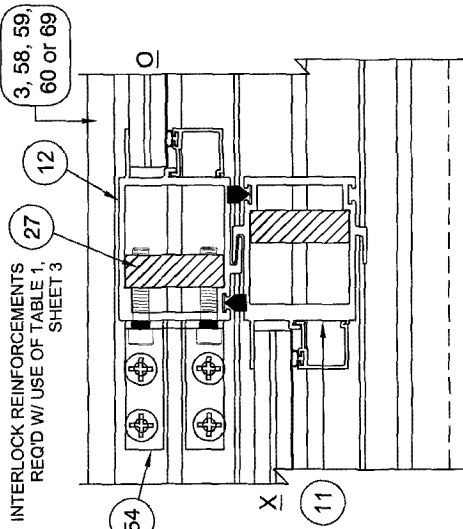
ASTRAGAL REINFORCEMENTS
REQD W/ USE OF TABLE 1,
SHEET 3



SECT. F-F

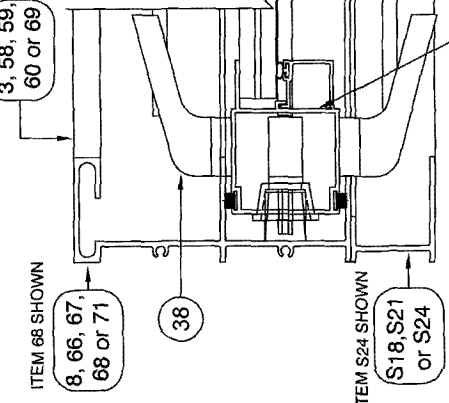
MOVABLE TO FIXED ASTRAGAL (INSIDE)

LOCATED AT VERTICAL
CENTER, 12" FROM TOP AND
BOTTOM OF FIXED PANELS
(3) REQD



SECT. H-H

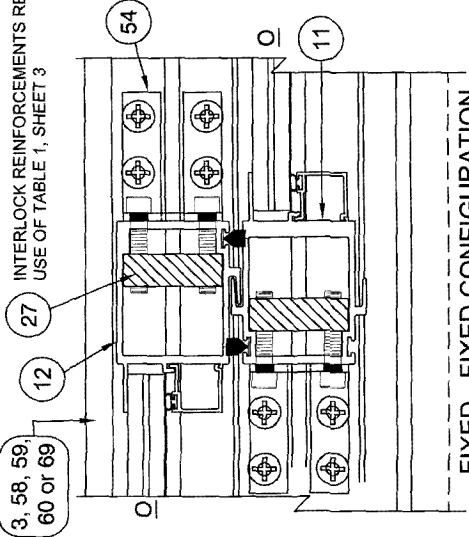
DOUBLE & SINGLE INTERLOCK (OX)



SECT. G-G

FIXED STILE AT JAMB (INSIDE)

INTERLOCK REINFORCEMENTS REQD W/
USE OF TABLE 1, SHEET 3



FIXED - FIXED CONFIGURATION
DOUBLE & SINGLE INTERLOCK
(NOT SHOWN IN SHEET 4 ELEVATIONS)

ITEM 68 SHOWN
8, 66, 67,
68 OR 71

ITEM S24 SHOWN
S18, S21
OR S24

SECT. I-I

MOVABLE STILE AT JAMB (OUTSIDE)

↑ INTERIOR
(ALL SECTIONS)
↓ EXTERIOR

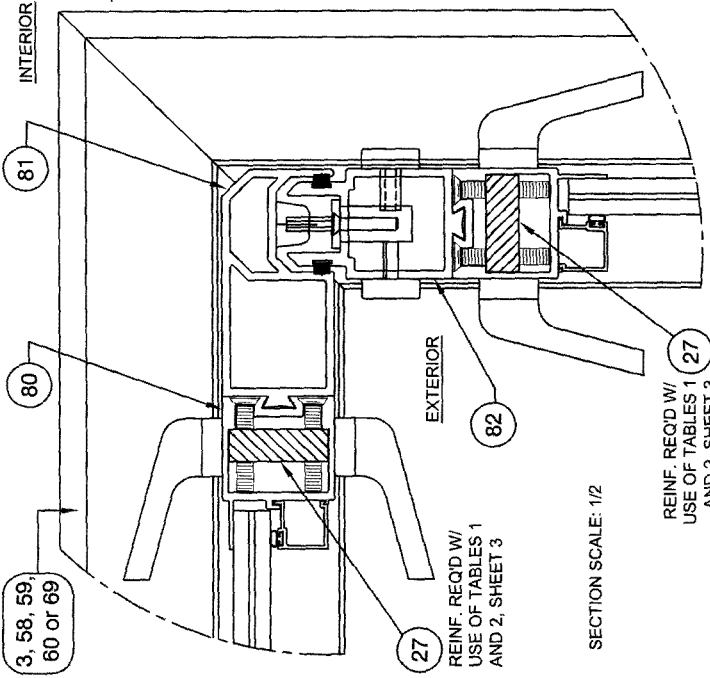
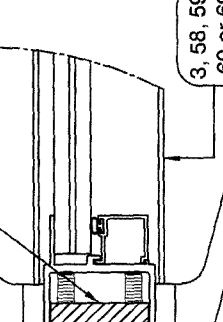
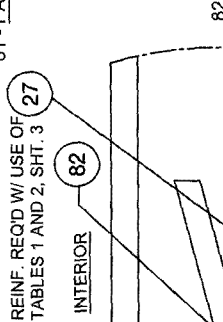
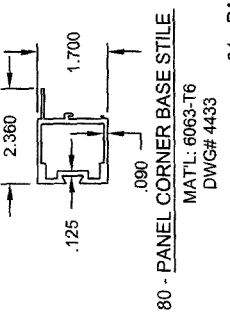
PRODUCT REVISED
as complying with the Florida
Building Code
Acceptance No. 02-251.06
Expiration Date: 12/14/2009
By: L.S. 5. (1.1.54)
Miami District Product Control
Division

2 J
3/1/08

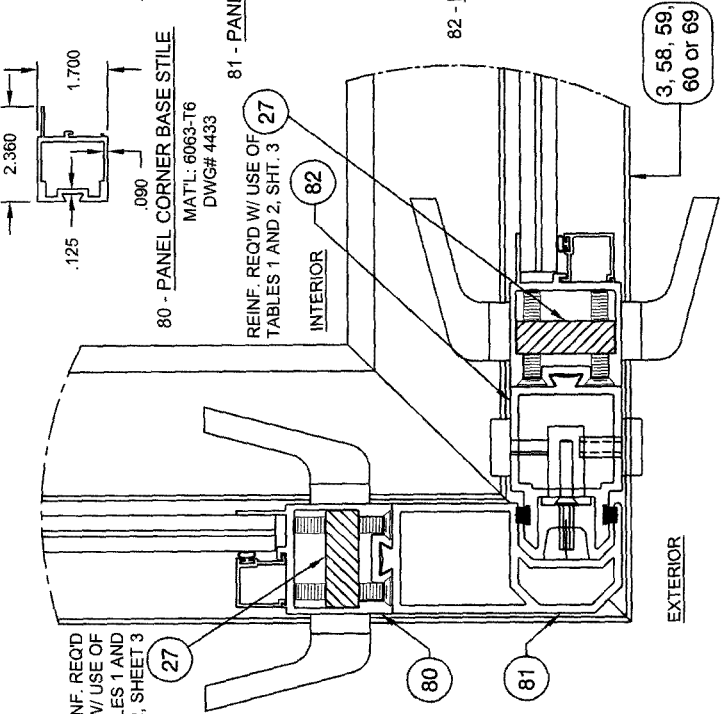
LUGER A. TURNER, P.E.
PE #58201
Mechanical

Revised By: F.K. 01/18/07	Revised: G	NO CHANGE THIS SHEET
Revised By: F.K. 10/18/07	Revised: H	CLARIFY DP TABLE REFERENCE FOR SECTIONS F-F, H-H & FIXED INTERLOCK
Revised By: F.K. 12/13/07	Revised: I	NO CHANGE THIS SHEET
Drawn By: F.K. 07/18/04	Checked By: J.J.	4/15/05
<p>1070 TECHNOLOGY DRIVE MCKINNIS, FL 34275 P.O. BOX 1629 MCKINNIS, FL 34274</p>		
<p>PGT Visibly Better</p>		
Designation: HORIZONTAL SECTIONS CONTINUED	Scale: 1/2	Sheet: 10 of 19
Title: ALUM. SLIDING GLASS DOOR, IMPACT	Drawing No. 4406-1	Rev: I

EXTRUSION SCALE: 1/4

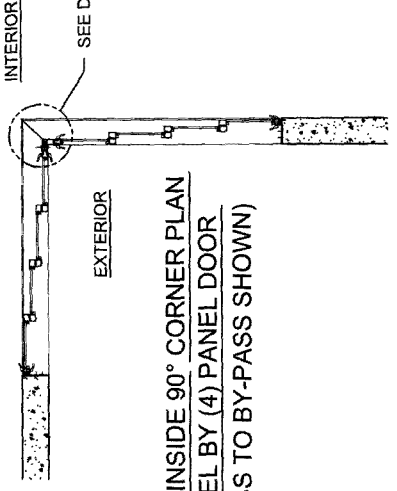


DETAIL J - TYPICAL INSIDE 90° CORNER SECTION

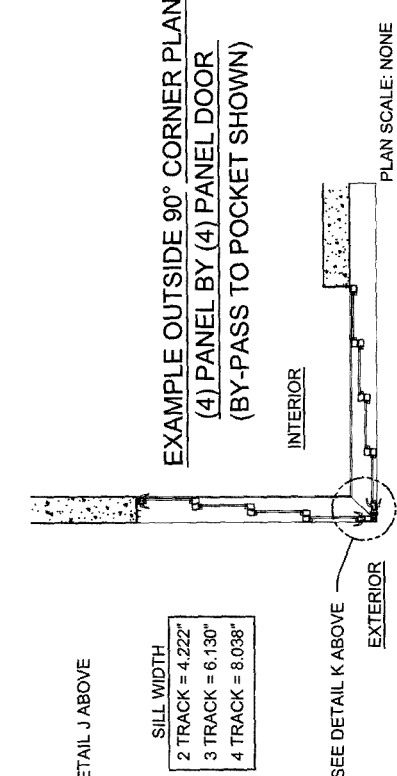


DETAIL K - TYPICAL OUTSIDE 90° CORNER SECTION

PRODUCT REVISED as conforming with the Florida Building Code. Expiration Date 02-03/11-06 By: [Signature] Miami Dade Building Control



EXAMPLE INSIDE 90° CORNER PLAN (4) PANEL BY (4) PANEL DOOR (BY-PASS TO BY-PASS SHOWN)



EXAMPLE OUTSIDE 90° CORNER PLAN (4) PANEL BY (4) PANEL DOOR (BY-PASS TO POCKET SHOWN)

Revised By: F.K.	Date: 9/1/07	Reviewed By: G.	Approved: 4/15/05
Revised By: F.K.	Date: 10/16/07	Reviewed By: H.	Checked By: J.J.
Revised By: F.K.	Date: 12/13/07	Reviewed By: I.	Drawn By: F.K.
Drawn By: F.K.	Date: 8/18/04	Checked By: J.J.	Date: 4/15/05

CORRECT CORNER PARTS ITEM NUMBERS & SHOW STILE REINFORCEMENT			
ADD 90° CORNER REINFORCEMENT NOTE			
NO CHANGE THIS SHEET			

1070 TECHNOLOGY DRIVE MORCOMBS, FL 34275			
P.O. BOX 1659 MORCOMBS, FL 34274			
Visibly Better			

Product: CORNER DOOR, SECTIONS AND EXTRUSIONS	Revision: I
The: ALUM. SLIDING GLASS DOOR, IMPACT	Scale: 1/2
Manufacturer: SGT730	Sheet: 11 of 19
Drawn No: 4406-1	Date: 4/15/05

[Handwritten signature]

3/11/08

Lucas A. Turner, P.E.
PE #8201
Mechanical

PRODUCT REVISED as per drawings with the Florida Building Code Acceptance No. **07-0511-06** Expiration Date **08-17-2007**
 By: **Lucas A. Turner**
 Miami District Product Control Division

3/11/08

Lucas A. Turner, P.E.
PE #58201
Mechanical

ITEM DWG#	PGT #	DESCRIPTION
41	D	7/16 LAMINATED GLASS - 3/16HS EXT + 090 DUPONT BUTACITE OR SAFLEXKEEPSAFE MAXIMUM INTERLAYER+3/16HS INT.
42	E	1 1/16 LAMI I.G. GLASS, 3/16 TEMP. - 7/16 AIR SPACE - 3/16A EXT. + 090 DUPONT BUTACITE OR SAFLEXKEEPSAFE MAXIMUM INTERLAYER+3/16HS INT.
43	F	1 1/16 LAMI I.G. GLASS, 3/16 TEMP. - 7/16 AIR SPACE - 3/16HS EXT. + 090 DUPONT BUTACITE OR SAFLEXKEEPSAFE MAXIMUM INTERLAYER+3/16HS INT.
44		DOW CORNING 889, 995 GLAZING SILICONE OR EQUIV.
46	1224	61P247 VINYL BULB WEATHERSTRIP (THICK)
47	1225	61P248 VINYL BULB WEATHERSTRIP (THIN)
49	4324	6534601 7/16" LAMI GLAZING BEAD
51	4395	64395 1 1/16" LAMI I.G. GLAZING BEAD
52	1267	71267N SETTING BLOCKS 1" X 1/2" X 1/8" THICK
53	749	7BRKT25 REINFORCEMENT SPRING CLIP
54	4356	74356A FIXED PANEL ANGLE BRACKET
55	A	7/16 LAMINATED GLASS - 3/16A EXT. + 090 DUPONT SENTRYGLAS PLUS INTERLAYER+3/16HS INT.
56	G	9/16 LAMINATED GLASS - 1/4HS EXT. + 090 DUPONT SENTRYGLAS PLUS INTERLAYER+1/4HS INT.
57	4375	64375 9/16" LAMI GLAZING BEAD
58	4407	64407 FRAME, 4 TRACK SILL
59	4408	64408 FRAME, 3 TRACK SILL
60	4409	64409 FRAME, 2 TRACK SILL
61	4410	64410 FRAME, 2 7/13 STANDARD SILL ADAPTER
62	4411	64411 FRAME, 3 500 SILL ADAPTER
63	4412	64412 FRAME, 4 TRACK HEAD
64	4413	64413 FRAME, 3 TRACK HEAD
65	4414	64414 FRAME, 2 TRACK HEAD
66	4415	64415 FRAME, 4 TRACK JAMB
67	4416	64416 FRAME, 3 TRACK JAMB
68	4417	64417 FRAME, 2 TRACK JAMB
69	4442	64442 FRAME, 2 TRACK SILL W/ SCREEN RAIL
70	4441	64441 FRAME, 2 TRACK HEAD W/ SCREEN RAIL
71	4443	64443 FRAME, 2 TRACK JAMB W/ SCREEN RAIL
81	4434	64434 PANEL CORNER, BASE STYLE
82	4435	64435 PANEL CORNER, LOCK STYLE (MALE)
S4	4318	612257 SCREEN, BOTTOM RAIL
S7	4319	612258 SCREEN, SIDE RAIL
S11	4320	612259 SCREEN, MEETING RAIL
S13	4428	64428 SCREEN, DOUBLE INTERLOCK
S14	4344	64344 SCREEN, ASTRAGAL
S15	4384	64384 SCREEN, ASTRAGAL ADAPTER
S16	4418	64418 SCREEN, 3 TRACK SILL
S17	4419	64419 SCREEN, 3 TRACK HEAD
S18	4420	64420 SCREEN, 3 TRACK JAMB
S19	4421	64421 SCREEN, 2 TRACK SILL
S20	4422	64422 SCREEN, 2 TRACK HEAD
S21	4423	64423 SCREEN, 2 TRACK JAMB
S22	4424	64424 SCREEN, 1 TRACK SILL
S23	4425	64425 SCREEN, 1 TRACK HEAD
S24	4426	64426 SCREEN, 1 TRACK JAMB

ITEM DWG#	PGT #	DESCRIPTION
1	4302	612245 ORIGINAL FRAME, HEAD
2	4386	7P4386 SILL/HEAD WEATHER STRIPPING PAD
3	4303	64303 ORIGINAL FRAME, SILL
4	4361	64361 ORIGINAL FRAME, 3.500 SILL ADD ON
5	4314	612254 ADAPTER, FIXED PANEL
6	4315	64315 THRESHOLD COVER
7	4385	71164 HEAVY DUTY 4 HOLE BUMP STOP
8	4304	612247 ORIGINAL FRAME, JAMB
9	1155-1	761POA #6 X 1" LG. S. STL. QUAD/PHIL. PAN HEAD
10	4306	612249 PANEL SIDE RAIL
11	4383	64383 DOUBLE INTERLOCK
12	4399	64399 ASTRAGAL
13	4388	64388 ASTRAGAL BASE
14	4380	64380 FEMALE ADD-ON
15	4381	64381 MALE ADD-ON
16	4305A	64305 TOP & BOTTOM RAIL
17	4403A	64403A P-HOOK FOR POCKET DOORS
18	4362	64362 FIXED PANEL CLIP
19	1235	67S16G WSTP, .170 X .270 BACK, FIN SEAL
20	4393	67393G WSTP, .400 X .270 BACK, FIN SEAL
21	720X112X	1/4-20 X 1.50 PH. PAN HEAD S. STL. TYPE F
22	71420X114SHCSF	1/4-20 X 1.25 LG. SHCS S. STL.
23	71032X1FFPX	#10-32 X 1" LG. PHILLIPS FLAT HEAD 18-8 S. STL.
24	70834X	RECESS ADAPTER MOUNTING SCREW & HANDLES #8 X 3/4" LG. PHILLIPS PAN HEAD 18-8 S. STL. KEEPER MOUNTING SCREW
25	76X98PPT	#8 X 3/8 LONG PHILLIPS PAN HEAD TEK
26	71032XINSRT	10-32 ALUMINUM THREADED INSERT
27	4357	64357M ALUM. REINFORCEMENT .500 X 1.500
28	4388	64388 MOVING/FIXED INTERLOCK END PLUG
29	4387	44387 ASTRAGAL BASE END PLUG
30	4389	44389 LOCKSTILE END PLUG
31	4392	7XX1MD(BSW) TOP RIGHT STICKER COVER
32	4392	7XX4MD(BSW) BOTTOM RIGHT STICKER COVER
33	4392	7XX3MD(BSW) TOP LEFT STICKER COVER
34	4392	7XX2MD(BSW) BOTTOM LEFT STICKER COVER
35	1049	71049 TANDEM ROLLER
36	1636	72048 W.K.S 3/4" HOLE PLUG
37		75GD4050 (1) TRUTH INTERIOR PULL HANDLE & BASE (1) TRUTH EXTERIOR PULL HANDLE & BASE (1) TRUTH EXTERIOR PULL HANDLE & BASE (1) #8-32 X 1 3/4" COLOR MATCHED HANDLE BASE SCREWS
38		75GD2889 (1) TRUTH INTERIOR PULL HANDLE & BASE (1) TRUTH EXTERIOR PULL HANDLE & BASE (1) #8-32 X 1 3/4" COLOR MATCHED HANDLE BASE SCREWS (1) MORTISE LOCK LATCH & KEEPER (1) STAINLESS MORTISE LOCK (1) ZINC DICHROMATE RECESS ADAPTER (1) ZINC DICHROMATE RECESS ADAPTER
39	B	7/16 LAMINATED GLASS - 3/16HS EXT. + 090 DUPONT SENTRYGLAS PLUS INTERLAYER+3/16HS INT.
40	C	7/16 LAMINATED GLASS - 3/16A EXT. + 090 DUPONT BUTACITE OR SAFLEXKEEPSAFE MAXIMUM INTERLAYER+3/16HS INT.

Approved By: **8/11/07** Date: **8/11/07** Revision: **G** Description: **REVERSE ANGLE D / LEG A STRENGTHENED ORDER, ITEMS 40 AND 56. CHANGE ITEM 10 TO REV. A.**

Approved By: **10/16/07** Date: **10/16/07** Revision: **H** Description: **CLARIFY EXT. INT. GLASS RECIPIES ITEMS 39, 40, 41, 42, 43, 45, AND 56**

Approved By: **12/13/07** Date: **12/13/07** Revision: **I** Description: **NO CHANGE THIS SHEET**

Drawn By: **8/19/04** Date: **8/19/04** Checked By: **J.J.** Date: **4/19/05**

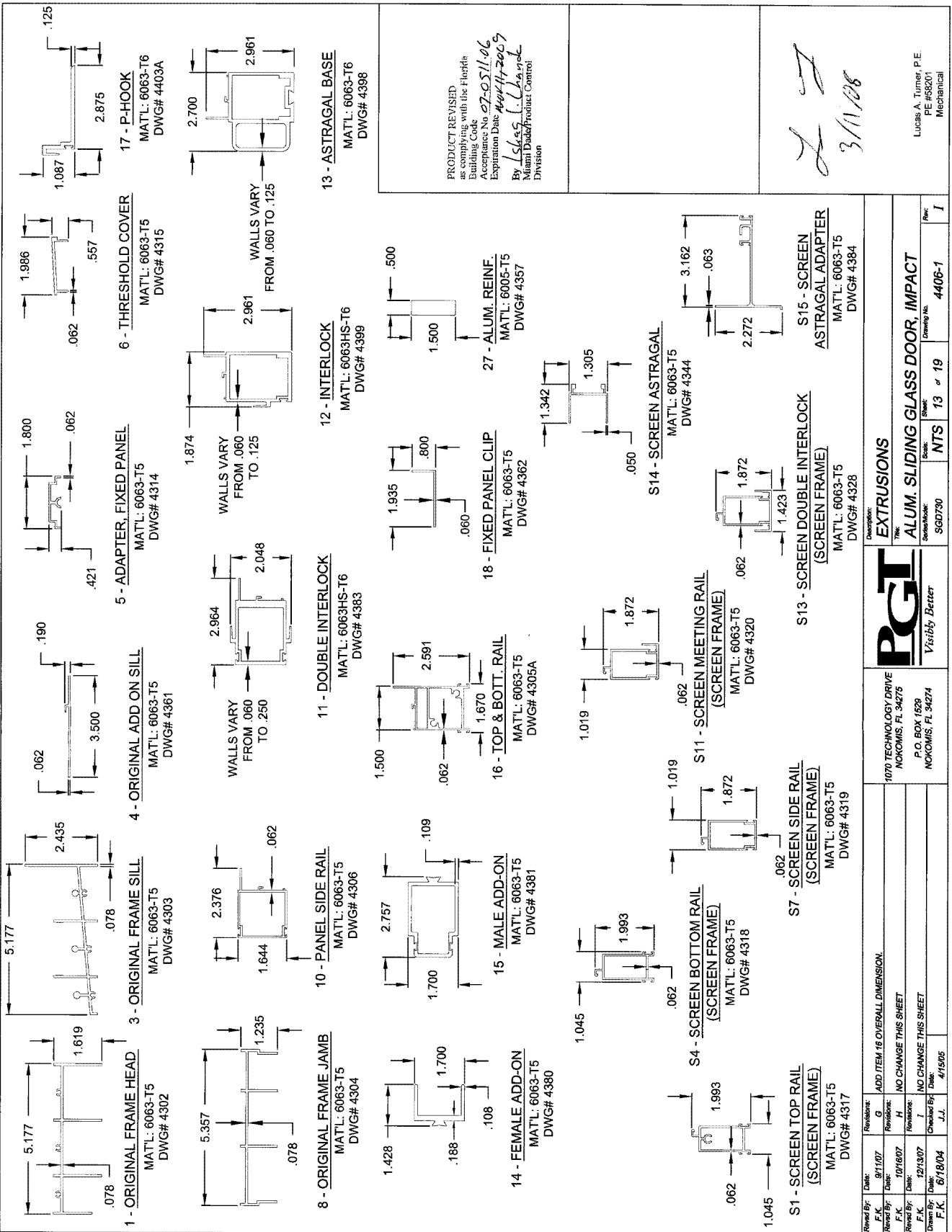
1070 TECHNOLOGY DRIVE
NOKOMIS, FL 34275
P.O. BOX 1659
NOKOMIS, FL 34274

PGI
Visibly Better

Drawing No. **4406-1**

Scale: **NTS** Sheet **12** of **19**

Revised: **1**



1 - ORIGINAL FRAME HEAD
MATL: 6063-T5
DWG# 4302

2 - ORIGINAL FRAME SILL
MATL: 6063-T5
DWG# 4303

3 - ADAPTER, FIXED PANEL
MATL: 6063-T5
DWG# 4314

4 - ORIGINAL ADD ON SILL
MATL: 6063-T5
DWG# 4361

5 - THRESHOLD COVER
MATL: 6063-T5
DWG# 4315

6 - P-HOOK
MATL: 6063-T6
DWG# 4403A

7 - ORIGINAL FRAME JAMB
MATL: 6063-T5
DWG# 4304

8 - PANEL SIDE RAIL
MATL: 6063-T5
DWG# 4306

9 - DOUBLE INTERLOCK
MATL: 6063HS-T6
DWG# 4383

10 - INTERLOCK
MATL: 6063HS-T6
DWG# 4399

11 - MALE ADD-ON
MATL: 6063-T5
DWG# 4381

12 - FEMALE ADD-ON
MATL: 6063-T5
DWG# 4380

13 - TOP & BOT. RAIL
MATL: 6063-T5
DWG# 4305A

14 - FIXED PANEL CLIP
MATL: 6063-T5
DWG# 4362

15 - ALUM. REINF.
MATL: 6005-T5
DWG# 4357

16 - SCREEN MEETING RAIL
(SCREEN FRAME)
MATL: 6063-T5
DWG# 4320

17 - SCREEN BOTTOM RAIL
(SCREEN FRAME)
MATL: 6063-T5
DWG# 4318

18 - SCREEN SIDE RAIL
(SCREEN FRAME)
MATL: 6063-T5
DWG# 4319

19 - SCREEN TOP RAIL
(SCREEN FRAME)
MATL: 6063-T5
DWG# 4317

20 - SCREEN ASTRAGAL
MATL: 6063-T5
DWG# 4344

21 - SCREEN DOUBLE INTERLOCK
(SCREEN FRAME)
MATL: 6063-T5
DWG# 4328

22 - SCREEN ADAPTER
MATL: 6063-T5
DWG# 4384

23 - ASTRAGAL BASE
MATL: 6063-T6
DWG# 4398

PRODUCT REVISED
as complying with the Firehike
Building Code
Acceptance No. 07-0511.06
Expiration Date: 10/17/2009
By: L. S. King, L.L. Hancock
Miami Dade/Product Control
Division

[Handwritten Signature]
3/11/08

Lucas A. Turner, P.E.
PE #5201
Mechanical

Revised By: F.K.	Date: 8/1/07	Revision: G	ADD ITEM 16 OVERALL DIMENSION.
Revised By: F.K.	Date: 10/18/07	Revision: H	NO CHANGE THIS SHEET
Revised By: F.K.	Date: 12/13/07	Revision: I	NO CHANGE THIS SHEET
Drawn By: F.K.	Date: 6/18/04	Checked By: J.J.	Date: 4/15/05

Scale:	NTS	Sheet:	13 of 19	Drawing No.:	4406-1
Stock No.:	SGD730	Part No.:		Rev.:	1

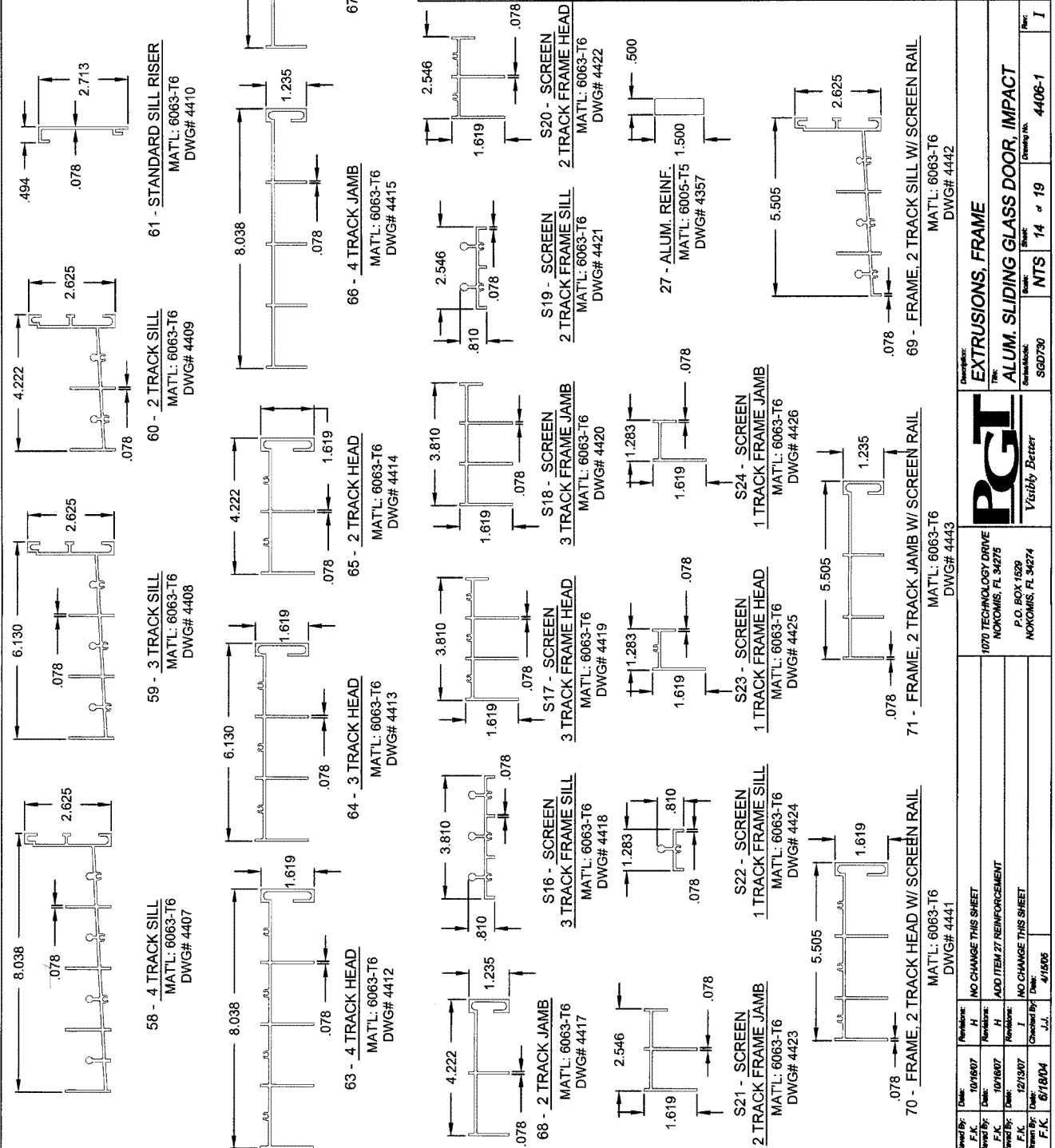
Manufacturer:	EXTRUSIONS
Trade Name:	ALUM. SLIDING GLASS DOOR, IMPACT
Address:	1070 TECHNOLOGY DRIVE NOKOMIS, FL 34275
Address:	P.O. BOX 1529 NOKOMIS, FL 34274

PRODUCT REVISED as complying with the Florida Building Code Acceptance No. 27 Expiration Date: _____

By: _____ Miami Dade Product Control Division

Lucas A. Turner, P.E.
PE #66201
Mechanical

2011/08

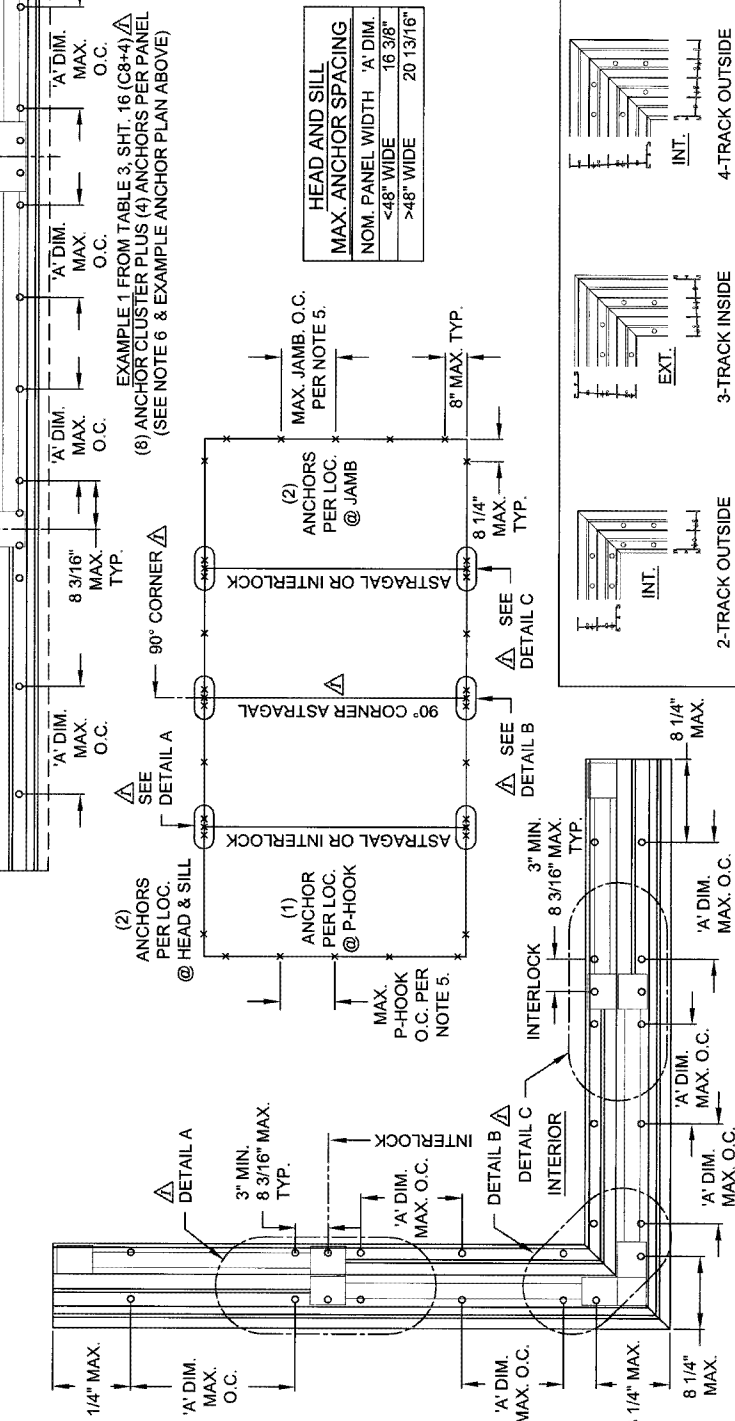


Revised By:	Date:	Revised By:	Date:	Revised By:	Date:	Revised By:	Date:	Revised By:	Date:
F.K.	10/18/07	F.K.	10/18/07	F.K.	12/13/07	F.K.	8/18/04	J.J.	4/15/05
NO CHANGE THIS SHEET									
ADD ITEM 27 REINFORCEMENT									
NO CHANGE THIS SHEET									
Drawn By:	F.K.	Checked By:	J.J.	Scale:	NTS	Sheet No.:	14 of 19	Drawn No.:	4406-1
PGI 1970 TECHNOLOGY DRIVE NOKOMIS, FL 34275 P.O. BOX 1529 NOKOMIS, FL 34274 Visibly Better									
EXTRUSIONS, FRAME ALUM. SLIDING GLASS DOOR, IMPACT									

NOTES - HVHZ ANCHORAGE REQUIREMENTS:

- APPROVED ANCHOR TYPES: 1, 1/4" ELCO TAPCON 3, #12 STEEL SCREW (G5) SEE SHEET 17 THROUGH 19 FOR ANCHOR INSTALLATION DETAILS.
- (2) ANCHORS REQUIRED AT EACH HEAD, SILL AND JAMB LOCATION. (1) ANCHOR REQUIRED AT EACH P-HOOK LOCATION. P-HOOK ANCHOR LOCATIONS TO BE STAGGERED 1" MIN. (BOTTOM ANCHOR TO BE 2" MIN. EDGE DISTANCE) AS SHOWN IN POCKET P-HOOK INSTALLATION DETAILS, SHEET 19.
- MAX. 96" HIGH DOORS W/ PANELS UP TO 48" WIDE (TABLES 1 AND 2, SHEET 3) AND 120" HIGH DOORS W/ PANELS UP TO 48" WIDE (TABLE 1, SHEET 3). HEAD & SILL... 8 1/4" MAX. FROM FRAME CORNERS AND 16 3/8" MAX. O.C. WITH APPLICABLE CLUSTER AT INTERLOCKS AND STRAIGHT AND CORNER ASTRAGALS PLUS ADDITIONAL ANCHORS PER PANEL FROM TABLE 3, SHEET 16.
- MAX. 96" HIGH DOORS W/ PANELS UP TO 60" WIDE (TABLE 1, SHEET 3). HEAD & SILL... 8 1/4" MAX. FROM FRAME CORNERS AND 22 13/16" MAX. O.C. WITH APPLICABLE CLUSTER AT INTERLOCKS AND STRAIGHT AND CORNER ASTRAGALS PLUS ADDITIONAL ANCHORS PER PANEL FROM TABLE 3, SHEET 16.
- JAMBS AND P-HOOKS ANCHORAGE ALL DOORS. 8" MAX FROM BOTTOM AND 26" MAX. O.C. AT THE ANCHOR QUANTITIES FROM TABLE 3, SHEET 16.
- "ANCHORS PER PANEL" ARE ANCHORS ON THE HEAD AND SILL BETWEEN CLUSTERS, OR BETWEEN A CLUSTER AND A FRAME JAMB / P-HOOK.

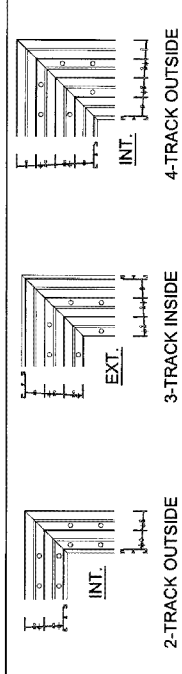
EXAMPLES OF HEAD AND SILL ANCHORAGE, STRAIGHT AND 90° CORNER DOOR



EXAMPLE 2 FROM TABLE 3, SHT. 16 (C6+2) ANCHOR CLUSTER PLUS (2) ANCHORS PER PANEL (SEE NOTE 6)

EXAMPLE 1 FROM TABLE 3, SHT. 16 (C8+4) ANCHOR CLUSTER PLUS (4) ANCHORS PER PANEL (SEE NOTE 6 & EXAMPLE ANCHOR PLAN ABOVE)

HEAD AND SILL ANCHOR SPACING	
NOM. PANEL WIDTH	'A' DIM. <48" WIDE
>48" WIDE	20 13/16"



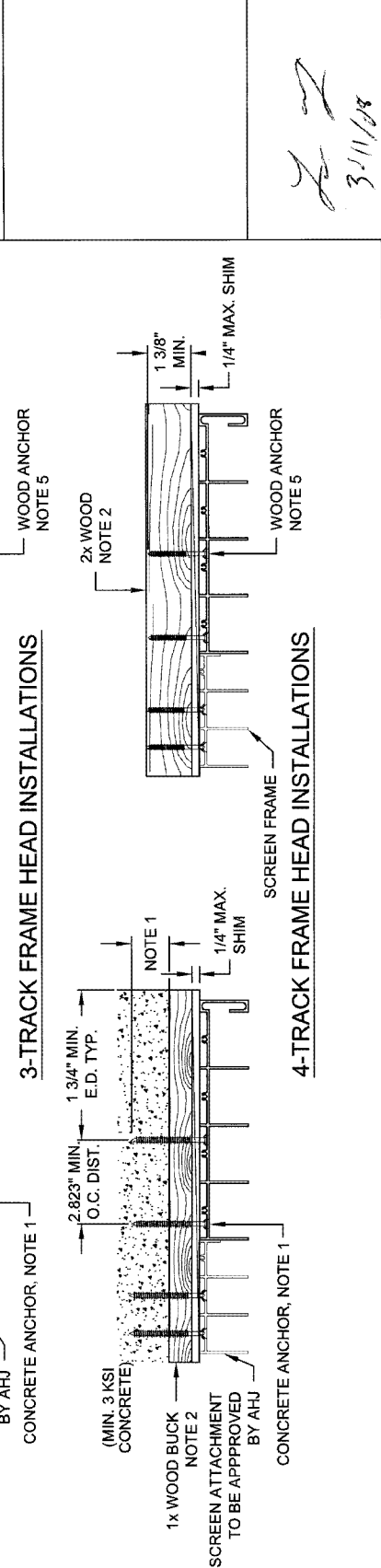
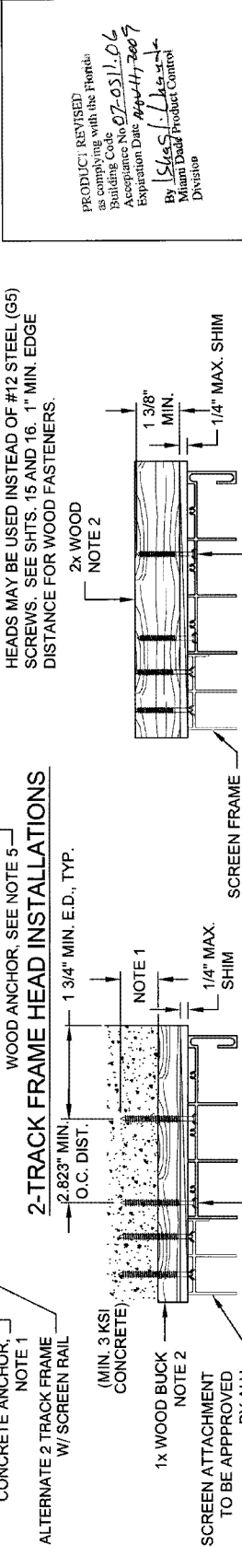
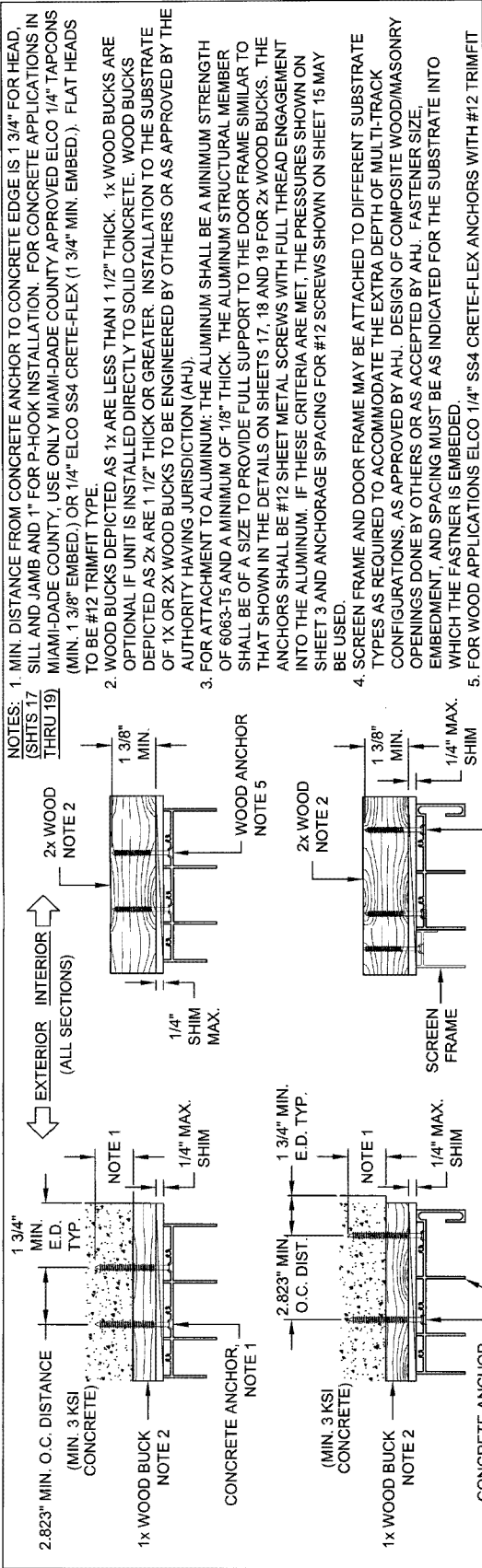
EXAMPLE CORNER CLUSTERS ANCHORAGE, SPACING

Revised By: F.K. 9/11/07	Revision: G	<p>1070 TECHNOLOGY DRIVE NOKOMIS, FL 34275 P.O. BOX 1629 NOKOMIS, FL 34274</p> <p>PGI Visibly Better</p>	<p>ALUM. SLIDING GLASS DOOR, IMPACT</p>
Revised By: F.K. 10/16/07	Revision: H		
Revised By: F.K. 12/13/07	Revision: J		
Checked By: J.L. 6/18/04	Drawn: J.L.		
Date: 6/18/04	Scale: 1/8" = 1'-0"		
Description: ANCHORAGE, SPACING		Sheet: 15 of 19	Drawing No: 4406-1
Title: ALUM. SLIDING GLASS DOOR, IMPACT		Scale: 1/8" = 1'-0"	Drawing No: 4406-1
Revision: J		Scale: 1/8" = 1'-0"	Drawing No: 4406-1
Revision: K		Scale: 1/8" = 1'-0"	Drawing No: 4406-1

PRODUCT REVISED
in compliance with the Florida
Building Code
Acceptance No. 07-03/1-06
Expiration Date 08/24/2009
By: Lucas A. Turner, P.E.
Miami Data Product Control
Division

Handwritten initials and date: 3/11/08

Lucas A. Turner, P.E.
PE #69201
Mechanical



NOTES:

1. MIN. DISTANCE FROM CONCRETE ANCHOR TO CONCRETE EDGE IS 1 3/4" FOR HEAD, SILL AND JAMB AND 1" FOR P-HOOK INSTALLATION. FOR CONCRETE APPLICATIONS IN MIAMI-DADE COUNTY, USE ONLY MIAMI-DADE COUNTY APPROVED ELCO 1/4" TAPCONS (MIN. 1 3/8" EMBED.) OR 1/4" ELCO SS4 CRETE-FLEX (1 3/4" MIN. EMBED.). FLAT HEADS TO BE #12 TRIMFIT TYPE.
2. WOOD BUCKS DEPICTED AS 1x ARE LESS THAN 1 1/2" THICK. 1x WOOD BUCKS ARE OPTIONAL IF UNIT IS INSTALLED DIRECTLY TO SOLID CONCRETE. WOOD BUCKS DEPICTED AS 2x ARE 1 1/2" THICK OR GREATER. INSTALLATION TO THE SUBSTRATE OF 1x OR 2x WOOD BUCKS TO BE ENGINEERED BY OTHERS OR AS APPROVED BY THE AUTHORITY HAVING JURISDICTION (AHJ).
3. FOR ATTACHMENT TO ALUMINUM: THE ALUMINUM SHALL BE A MINIMUM STRENGTH OF 6063-T5 AND A MINIMUM OF 1/8" THICK. THE ALUMINUM STRUCTURAL MEMBER SHALL BE OF A SIZE TO PROVIDE FULL SUPPORT TO THE DOOR FRAME SIMILAR TO THAT SHOWN IN THE DETAILS ON SHEETS 17, 18 AND 19 FOR 2x WOOD BUCKS. THE ANCHORS SHALL BE #12 SHEET METAL SCREWS WITH FULL THREAD ENGAGEMENT INTO THE ALUMINUM. IF THESE CRITERIA ARE MET, THE PRESSURES SHOWN ON SHEET 3 AND ANCHORAGE SPACING FOR #12 SCREWS SHOWN ON SHEET 15 MAY BE USED.
4. SCREEN FRAME AND DOOR FRAME MAY BE ATTACHED TO DIFFERENT SUBSTRATE TYPES AS REQUIRED TO ACCOMMODATE THE EXTRA DEPTH OF MULTI-TRACK CONFIGURATIONS, AS APPROVED BY AHJ. DESIGN OF COMPOSITE WOOD/MASONRY OPENINGS DONE BY OTHERS OR AS ACCEPTED BY AHJ. FASTENER SIZE, EMBEDMENT, AND SPACING MUST BE AS INDICATED FOR THE SUBSTRATE INTO WHICH THE FASTENER IS EMBEDDED.
5. FOR WOOD APPLICATIONS ELCO 1/4" SS4 CRETE-FLEX ANCHORS WITH #12 TRIMFIT HEADS MAY BE USED INSTEAD OF #12 STEEL (G5) SCREWS. SEE SHTS. 15 AND 16. 1" MIN. EDGE DISTANCE FOR WOOD FASTENERS.

PRODUCT: REVISED
 as complying with the Florida Building Code
 Reference No. 07-0511-06
 Expiration Date 04/17/2009
 By: [Signature]
 Miami Dade Product Control Division

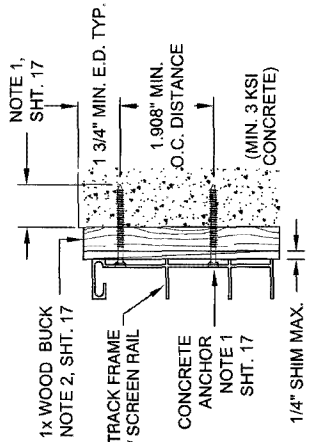
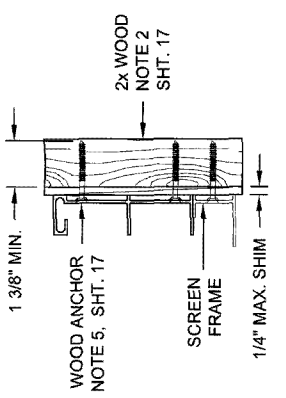
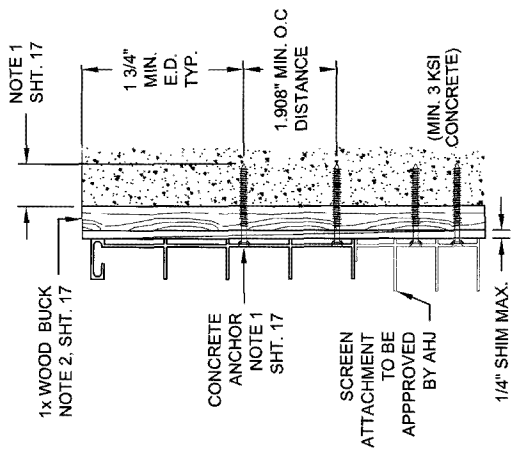
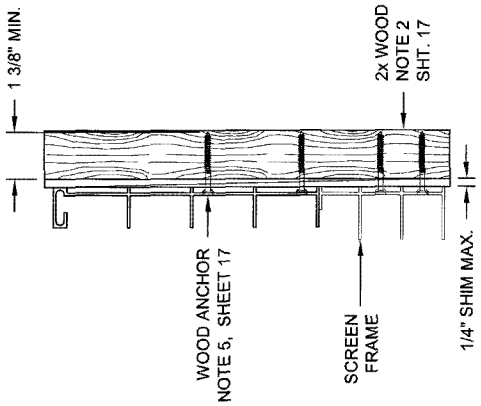
Lucas A. Turner, P.E.
 PE 166201
 Mechanical

Revised By: F.K.	Date: 8/1/07	Revision: G	ADD E.D. DIM. AND SCREEN ATTACHMENT NOTATION
Revised By: F.K.	Date: 10/16/07	Revision: H	CLARIFY NOTE 2 AND AHJ NOTATIONS
Revised By: F.K.	Date: 12/13/07	Revision: I	NO CHANGE THIS SHEET
Drawn By: F.K.	Date: 6/18/04	Checked By: J.J.	Date: 4/15/05
Description:			ANCHORAGE DETAILS, HEAD
Title:			ALUM. SLIDING GLASS DOOR, IMPACT
Scale:	Sheet:	Drawing No.:	4406-1
1/4	17 of 19		

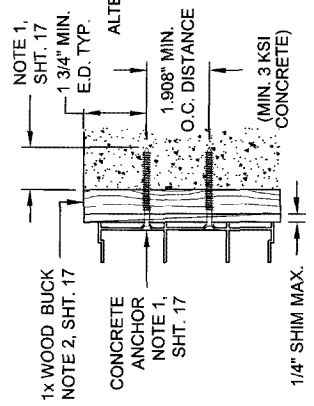
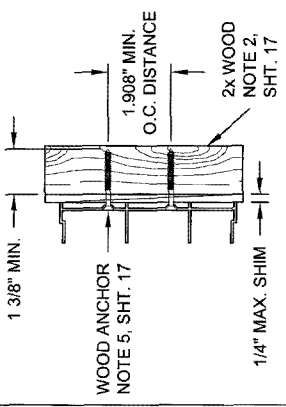
↑ INTERIOR
 (ALL SECTIONS)
 EXTERIOR ↓

Lucas A. Turner, P.E.
 PE #5201
 Mechanical
 3/1/08

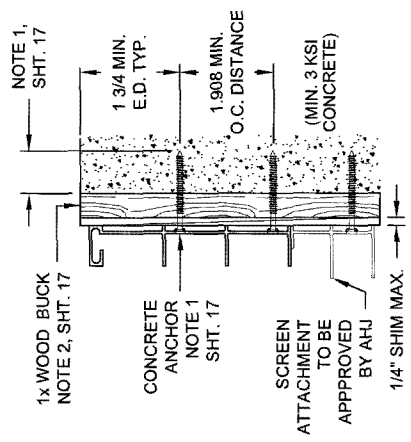
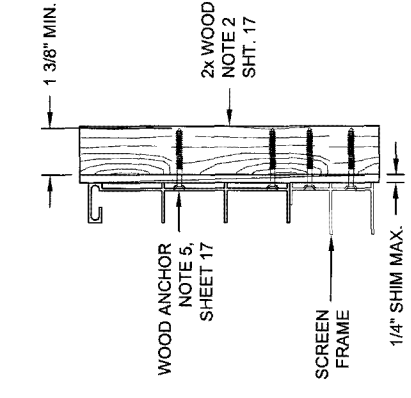
PRODUCT REVISED
 as complying with the Florida
 Building Code
 Acceptance No. 07-0511.06
 Expiration Date: 04/14/2007
 By: *J. Clark*
 Miami District Product Control
 Division



**2-TRACK FRAME
JAMB INSTALLATIONS**



**ORIGINAL 2-TRACK FRAME
JAMB INSTALLATIONS**



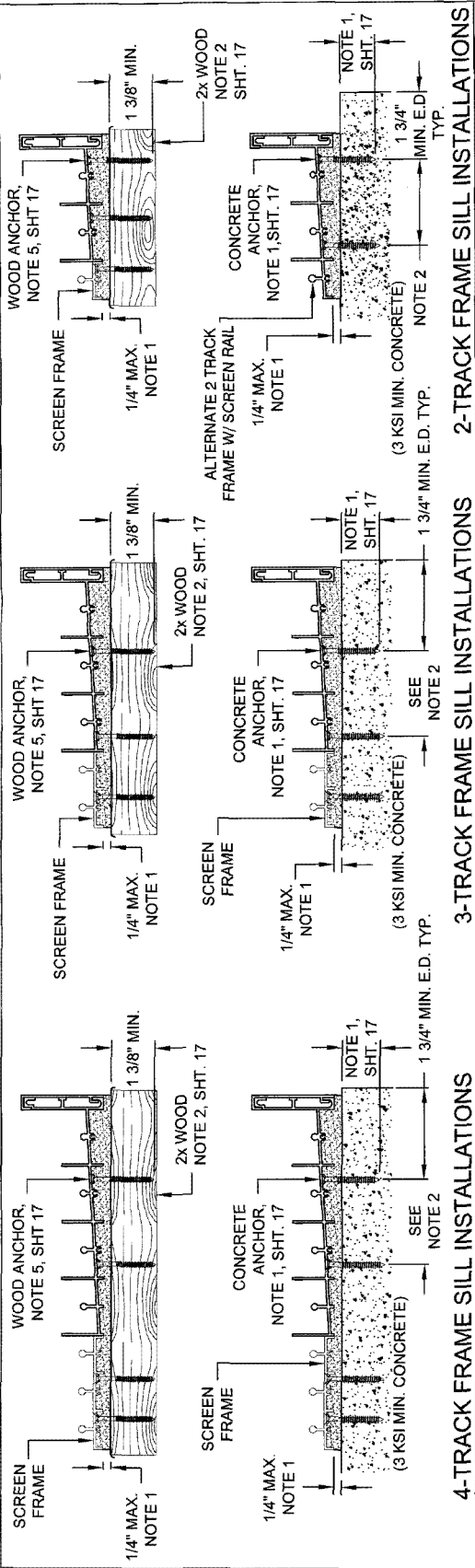
3-TRACK FRAME JAMB INSTALLATIONS

**4-TRACK FRAME
JAMB INSTALLATIONS**

Revised By: F.K. Date: 9/1/07	Revision: G	ADD MIN. E.D. TO CONC. ANCHORAGE DETAILS & SCREEN ATTACHMENT NOTE	
Revised By: F.K. Date: 10/18/07	Revision: H	CLARIFY AHJ NOTATIONS	
Revised By: F.K. Date: 12/13/07	Revision: I	NO CHANGE THIS SHEET	
Drawn By: F.K. Date: 8/18/04	Checked By: J.J. Date: 4/15/05		
Description: ANCHORAGE DETAILS, JAMB Title: ALUM. SLIDING GLASS DOOR, IMPACT		Scale: 1/4" = 1'-0"	Drawing No.: 4406-1
System/Model: SGD730		Sheet: 18 of 19	Rev: 1



1070 TECHNOLOGY DRIVE
 NOKOMIS, FL 34275
 P.O. BOX 1639
 NOKOMIS, FL 34274



4-TRACK FRAME SILL INSTALLATIONS **3-TRACK FRAME SILL INSTALLATIONS** **2-TRACK FRAME SILL INSTALLATIONS**

EXTERIOR INTERIOR
(ALL SILL SECTIONS)

NOTE: ANCHORS ARE STAGGERED 1" MIN. AT P-HOOK ANCHOR EMBEDMENT AT P-HOOK: 1/4" TAPCON - 1 3/8" MIN. 3 KSI MIN. CONCRETE

1x WOOD BUCK NOTE 2, SHT. 17

NOTE ABOVE 3/8" MIN. NOTE ABOVE 3/8" MIN. NOTE ABOVE 1" E.D.

WOOD ANCHOR, NOTE 5, SHT. 17

CONCRETE ANCHOR, NOTE 1, SHT. 17

1" E.D.

(SILL)

WOOD ANCHOR, NOTE 5, SHT. 17

CONCRETE ANCHOR, NOTE 1, SHT. 17

1" E.D.

(SILL)

WOOD ANCHOR, NOTE 5, SHT. 17

CONCRETE ANCHOR, NOTE 1, SHT. 17

1" E.D.

(SILL)

WOOD ANCHOR, NOTE 5, SHT. 17

CONCRETE ANCHOR, NOTE 1, SHT. 17

1" E.D.

(SILL)

WOOD ANCHOR, NOTE 5, SHT. 17

CONCRETE ANCHOR, NOTE 1, SHT. 17

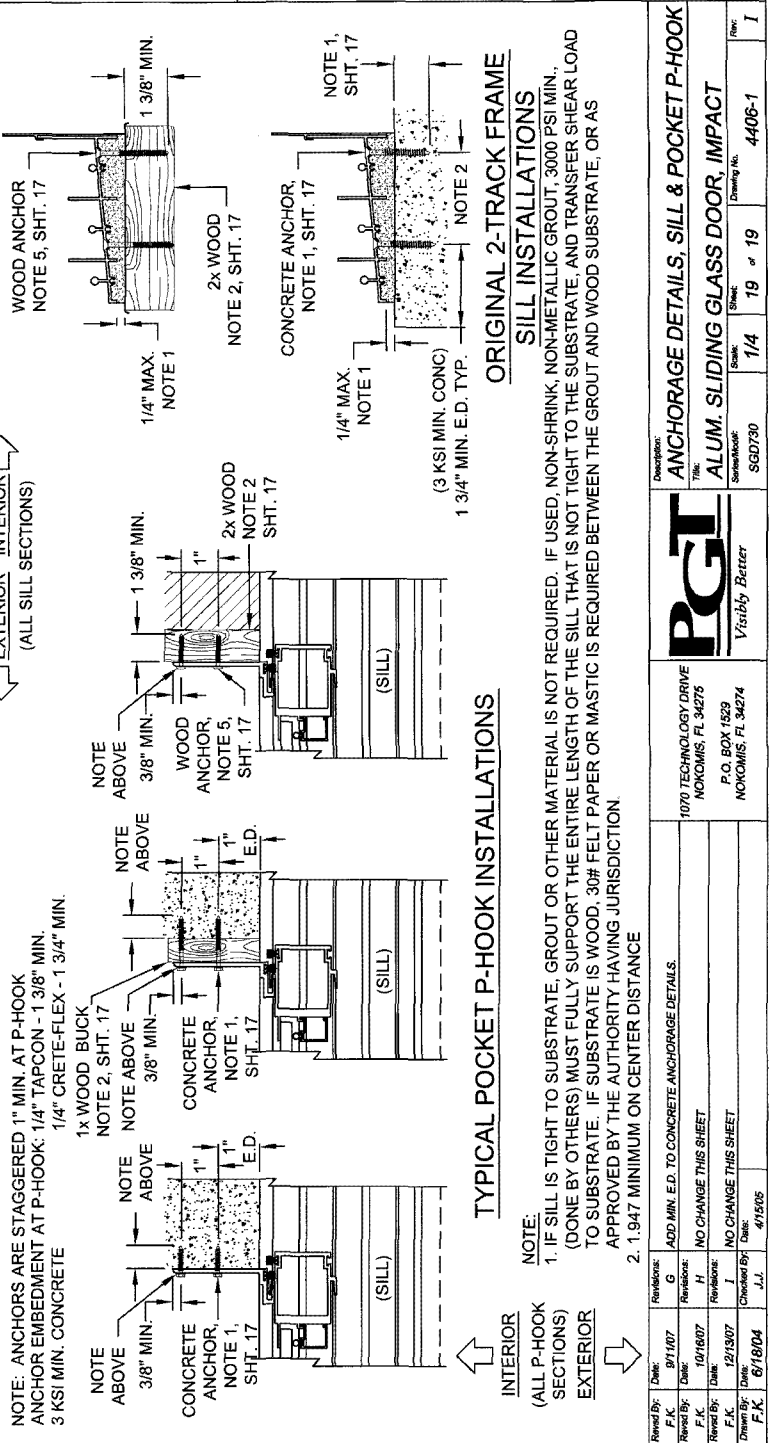
1" E.D.

(SILL)

PRODUCT REVISED as complying with the Florida Building Code Acceptance No. 02-0311-06 Expiration Date 08/17/2009 By: [Signature] L. L. [Signature] Miami Dade Product Control Division

[Signature] 3/11/09

Lucas A. Turner, P.E. PE #56201 Mechanical



TYPICAL POCKET P-HOOK INSTALLATIONS

ORIGINAL 2-TRACK FRAME SILL INSTALLATIONS

NOTE: 1. IF SILL IS TIGHT TO SUBSTRATE, GROUT OR OTHER MATERIAL IS NOT REQUIRED. IF USED, NON-SHRINK, NON-METALLIC GROUT, 3000 PSI MIN. (DONE BY OTHERS) MUST FULLY SUPPORT THE ENTIRE LENGTH OF THE SILL THAT IS NOT TIGHT TO THE SUBSTRATE, AND TRANSFER SHEAR LOAD TO SUBSTRATE. IF SUBSTRATE IS WOOD, 30# FELT PAPER OR MASTIC IS REQUIRED BETWEEN THE GROUT AND WOOD SUBSTRATE, OR AS APPROVED BY THE AUTHORITY HAVING JURISDICTION.

2. 1.947 MINIMUM ON CENTER DISTANCE

Revised By:	Date:	Revisions:	Description:
F.K.	07/11/07	G	ANCHORAGE DETAILS, SILL & POCKET P-HOOK
F.K.	10/16/07	H	ALUM. SLIDING GLASS DOOR, IMPACT
F.K.	12/19/07	J	
F.K.	6/18/04	J.J.	
ADD MIN. E.D. TO CONCRETE ANCHORAGE DETAILS.			
NO CHANGE THIS SHEET			
NO CHANGE THIS SHEET			
1070 TECHNOLOGY DRIVE			
NOKOMIS, FL 34275			
P.O. BOX 1829			
NOKOMIS, FL 34274			
SGD730	1/4	19 of 19	4406-1
Sheet			
Drawng No.			
Rev:			1

