



BUILDING CODE COMPLIANCE OFFICE (BCCO)
PRODUCT CONTROL DIVISION

MIAMI-DADE COUNTY, FLORIDA
METRO-DADE FLAGLER BUILDING
140 WEST FLAGLER STREET, SUITE 1603
MIAMI, FLORIDA 33130-1563
(305) 375-2901 FAX (305) 375-2908
www.buildingcodeonline.com

NOTICE OF ACCEPTANCE (NOA)

PGT Industries
1070 Technology Drive,
Nokomis, Fl. 34275

SCOPE:

This NOA is being issued under the applicable rules and regulations governing the use of construction materials. The documentation submitted has been reviewed by Miami-Dade County Product Control Division and accepted by the Board of Rules and Appeals (BORA) to be used in Miami Dade County and other areas where allowed by the Authority Having Jurisdiction (AHJ).

This NOA shall not be valid after the expiration date stated below. The Miami-Dade County Product Control Division (In Miami Dade County) and/or the AHJ (in areas other than Miami Dade County) reserve the right to have this product or material tested for quality assurance purposes. If this product or material fails to perform in the accepted manner, the manufacturer will incur the expense of such testing and the AHJ may immediately revoke, modify, or suspend the use of such product or material within their jurisdiction. BORA reserves the right to revoke this acceptance, if it is determined by Miami-Dade County Product Control Division that this product or material fails to meet the requirements of the applicable building code.

This product is approved as described herein, and has been designed to comply with the Florida Building Code, including the High Velocity Hurricane Zone.

DESCRIPTION: Series "FD-101" Outswing Aluminum French Door w/ Sidelites

APPROVAL DOCUMENT: Drawing No.11005-1, titled "Aluminum French door & Sidelite-Impact", sheets 1through 10 of 10, prepared by manufacturer, dated 02-22-07 and last revised on 09/25/07, signed and sealed by Robert L. Clark, P.E., bearing the Miami-Dade County Product Control Approval stamp with the Notice of Acceptance number and approval date by the Miami-Dade County Product Control Division.

MISSILE IMPACT RATING: Large and Small Missile Impact Resistant

Limitation:

1. Use of Table 1, require full length reinforcements for OX, XO, XXO, OXX, OXO and OXXO. The lower design pressure from X, XX doors or O (sidelite) shall control.
2. Egress operable doors must comply with min clear width per FBC, as applicable.

LABELING: Each unit shall bear a permanent label with the manufacturer's name or logo, city, state and following statement: "Miami-Dade County Product Control Approved", unless otherwise noted herein.

RENEWAL of this NOA shall be considered after a renewal application has been filed and there has been no change in the applicable building code negatively affecting the performance of this product.

TERMINATION of this NOA will occur after the expiration date or if there has been a revision or change in the materials, use, and/or manufacture of the product or process. Misuse of this NOA as an endorsement of any product, for sales, advertising or any other purposes shall automatically terminate this NOA. Failure to comply with any section of this NOA shall be cause for termination and removal of NOA.

ADVERTISEMENT: The NOA number preceded by the words Miami-Dade County, Florida, and followed by the expiration date may be displayed in advertising literature. If any portion of the NOA is displayed, then it shall be done in its entirety.

INSPECTION: A copy of this entire NOA shall be provided to the user by the manufacturer or its distributors and shall be available for inspection at the job site at the request of the Building Official.

This NOA consists of this page 1 as well as evidence sheet E-1 and approval document mentioned above.

The submitted documentation was reviewed by **Ishaq I. Chanda, P. E.**

NOA No. 07-0629.10

Expiration Date: October 18, 2012

Approval Date: October 18, 2007

Page 1



9/27/17

NOTICE OF ACCEPTANCE: EVIDENCE SUBMITTED

A. DRAWINGS

1. Manufacturer's die drawings and sections.
2. Drawing No. **11005-1**, titled "Aluminum French door & Sidelite-Impact", sheets 1 through 10 of 10, prepared by manufacturer, dated 02-22-07 and last revised on 09/25/07, signed and sealed by Robert L. Clark, P.E.

B. TESTS

- Test report on
- 1) Air Infiltration Test, per FBC, TAS 202-94
 - 2) Uniform Static Air Pressure Test, per FBC, TAS 202-94
 - 3) Water Resistance Test, per FBC, TAS 202-94.
 - 4) Large Missile Impact Test per FBC, TAS 201-94
 - 5) Cyclic Wind Pressure Loading per FBC, TAS 203-94
 - 6) Forced Entry Test, per FBC 2411.3.2.1 (b) and TAS 202-94

Along with marked-up drawings and installation diagram of aluminum out swinging French door w/ sidelites, prepared by Fenestration Testing Laboratory, Inc., Test Report No **FTL-5212**, dated May 05, 2007, signed and sealed by Carlos S. Rionda, P.E.

C. CALCULATIONS

1. Anchor verification and comparative analysis dated 06-21-07 and last revised on 09/25/07, prepared by PGT, signed and sealed by Robert L. Clark, P.E.
2. Glazing complies with ASTM E-1300-02

D. QUALITY ASSURANCE

1. Miami Dade Building Code Compliance Office (BCCO).

E. MATERIAL CERTIFICATIONS

1. Notice of Acceptance No. **05-1208.02** issued to "E.I. DuPont Denemours" for "DuPont Butacite ® PVB" dated 02/15/01, expiring on 12/11/10.
2. Notice of Acceptance No. **03-0827.08** issued to Solutia Inc, for "Solutia Interlayer for laminated glass", expiring on 03/04/09.

F. STATEMENTS

1. Statement letter of conformance and no financial interest, dated 06-21-07, signed by Robert L. Clark, P.E.
2. Letter of lab compliance, part of the above test reports.

G. OTHER

1. Test proposal dated Jan. 18, 2007 approved by BCCO.

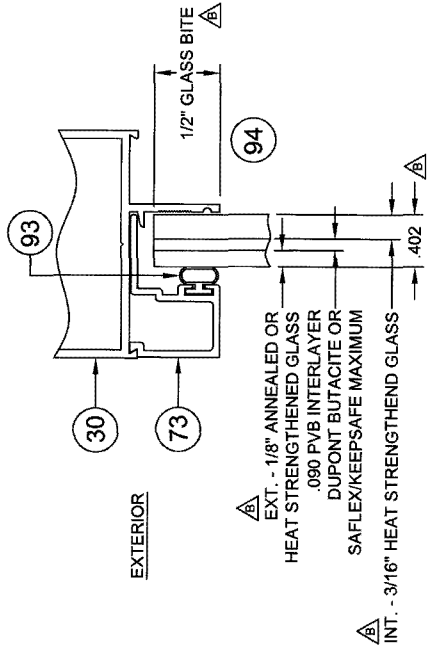
Ishaq I. Chanda

Ishaq I. Chanda, P.E.
Product Control Examiner
NOA No. 07-0629.10

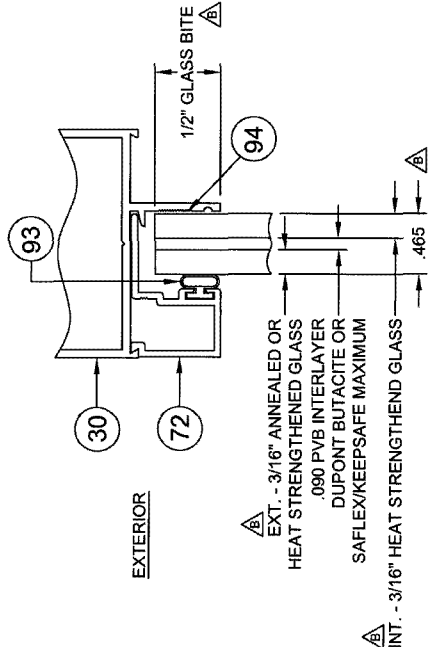
Expiration Date: October 18, 2012
Approval Date: October 18, 2007

NOTES: OUTSWING IMPACT FRENCH DOOR(S) AND SIDE LITE(S)

1. GLAZING OPTIONS:
 - A. 3/8" LAMI NOM. (.402") CONSISTING OF (1) LITE OF 1/8" ANNEALED GLASS PLUS AN .090 PVB INTERLAYER OF DUPONT BUTACITE OR SAFLEX/KEEPSAFE MAXIMUM PLUS (1) LITE OF 3/16" HEAT STRENGTHENED GLASS.
 - B. 3/8" LAMI NOM. (.402") CONSISTING OF (1) LITE OF 1/8" HEAT STRENGTHENED GLASS PLUS AN .090 PVB INTERLAYER OF DUPONT BUTACITE OR SAFLEX/KEEPSAFE MAXIMUM PLUS (1) LITE OF 3/16" HEAT STRENGTHENED GLASS.
 - C. 7/16" LAMI NOM. (.465") CONSISTING OF (1) LITE OF 3/16" ANNEALED GLASS PLUS AN .090 PVB INTERLAYER OF DUPONT BUTACITE OR SAFLEX/KEEPSAFE MAXIMUM PLUS (1) LITE OF 3/16" HEAT STRENGTHENED GLASS.
 - D. 7/16" LAMI NOM. (.465") CONSISTING OF (1) LITE OF 3/16" HEAT STRENGTHENED GLASS PLUS AN .090 PVB INTERLAYER OF DUPONT BUTACITE OR SAFLEX/KEEPSAFE MAXIMUM PLUS (1) LITE OF 3/16" HEAT STRENGTHENED GLASS.
2. DESIGN PRESSURES: SEE TABLES 1 AND 2 ON SHEET 2.
 - A. NEGATIVE DESIGN LOADS BASED ON TESTED PRESSURE AND GLASS TABLES ASTM E 1300-02.
 - B. POSITIVE DESIGN LOADS BASED ON WATER TEST PRESSURE AND GLASS TABLES ASTM E 1300-02.
3. CONFIGURATIONS: X, O, XX, XO, OX, OXX, OXO, AND OXXO.
4. ANCHORAGE: THE 33 1/3% STRESS INCREASE HAS NOT BEEN USED IN THE DESIGN OF THIS PRODUCT. MATERIALS, INCLUDING BUT NOT LIMITED TO STEEL SCREWS, THAT COME INTO CONTACT WITH OTHER DISSIMILAR MATERIALS, SHALL MEET THE REQUIREMENTS OF THE FBC, CURRENT EDITION. FOR ANCHORAGE REQUIREMENTS SEE SHEETS 8 THROUGH 10.
5. SHUTTERS ARE NOT REQUIRED.
6. SEALANT: INSTALLATION SCREWS, FRAME AND PANEL CORNERS SEALED WITH CLEAR COLORED SEALANT.
7. REFERENCES:
 - TEST REPORT FTL-5212, ELCO TEXTRON NOA. 04-0721.01, 03-0225.05, ANSII/AF&PA NDS-2005 FOR WOOD CONSTRUCTION AND ADM-2005 ALUMINUM DESIGN MANUAL.
 - THIS PRODUCT HAS BEEN DESIGNED & TESTED TO COMPLY WITH THE REQUIREMENTS OF THE FLORIDA BUILDING CODE, CURRENT EDITION INCLUDING THE HIGH VELOCITY HURRICANE ZONE (HVHZ).
9. CONFIGURATIONS WHICH CONTAIN A SIDE LITE TO DOOR CONNECTION:
 - A. THE LOWER DESIGN PRESSURE FROM TABLE 1, OR 2, PREVAILS.
 - B. FULL LENGTH REINFORCEMENT (ITEM 22 SHOWN IN SECTION E-E, SHEET 5), IS REQUIRED ONLY AT ALL DOOR TO SIDE LITE CONNECTIONS FROM TABLE 1., SHT. 2. REFER TO TABLE 2, SHT. 2 FOR DOOR TO SIDE LITE CONNECTIONS WHICH DO NOT REQUIRE ITEM 22 REINFORCEMENT.



3/8" LAMI NOM.
GLAZING OPTION A OR B, NOTE 1



7/16" LAMI NOM.
GLAZING OPTION C OR D, NOTE 1

NOA DRAWING MAP

TOPIC	SHEET
GENERAL NOTES.....	1
CONFIGURATIONS.....	1
GLAZING DETAILS.....	1
DESIGN PRESSURES.....	2
ELEVATIONS.....	3
VERT. SECTIONS.....	4
HORIZ. SECTIONS.....	5
PARTS LIST.....	6
EXTRUSIONS.....	6, 7
ANCHORAGE.....	8-10

Approved as complying with the Florida Building Code
 Date: 02/25/07
 NOA#: 07-062277D
 Division: Miami Dade Product Control
 By: L. Kasig

Handwritten signature and date:
 2/25/07

Robert L. Clark, P.E.
 PE #39712
 Structural

Revised By: <u>DKK</u>	Revised: <u>B</u>	Date: <u>9/18/07</u>	Revision: <u>B</u>	Clarify Ext. of Glass, Overall Thickness and Glass Bite
Revised By: <u>F.K.</u>	Revised: <u>A</u>	Date: <u>8/14/07</u>	Revision: <u>A</u>	Add Glass Bite Dim. to Glazing Details, Add Glass Rec. Thk., Revise Note 1, Glass Descrip. & Add Note 9.
Drawn By: <u>F.K.</u>	Checked By: <u>J.J.</u>	Date: <u>2/22/07</u>	Scale: <u>1X</u>	Sheet: <u>1</u> of <u>10</u>
<p>1070 TECHNOLOGY DRIVE NOKOMIS, FL 34275 P.O. BOX 1629 NOKOMIS, FL 34274</p> <p>PGI Visibly Better</p>				Description: <u>NOTES AND GLAZING DETAILS</u> Title: <u>ALUM. FRENCH DOOR & SIDE LITES, IMPACT</u> Drawing No.: <u>11005-1</u> Rev: <u>B</u>

TABLE 1. DESIGN PRESSURES FOR ALL CONFIGURATIONS

APPROVED CONFIGURATIONS: X, XX, O, OX, XO, OXX, OXO, OXX, OXX & OXOX
 (FOR DOORS W/ SIDE LITES THE LOWER DP FOR THE DOOR OR SIDE LITE PREVAILS)
REINFORCEMENT IS REQUIRED AT DOOR & SIDE LITE CONNECTIONS

X WIDTH	XX WIDTH	HEIGHT									
		6" - 79 3/4"	7'0" - 83 3/4"	87 3/4"	91 3/4"						
3'0	37 1/2"	6'0	71 3/4"	75.0	-75.0	75.0	-75.0	8'0	95 3/4"	75.0	-75.0
DOORS WITH GLASS TYPES A, B, C OR D											
SINGLE SIDE LITES WITH GLASS TYPE A											
	27 3/4"	+75.0	-75.0	+75.0	-75.0	+75.0	-75.0	+75.0	-75.0	+75.0	-75.0
	36 1/8"	+75.0	-75.0	+75.0	-75.0	+71.4	-71.4	+67.6	-67.6	+64.2	-64.2
	36 3/4"	+75.0	-75.0	+74.9	-74.9	+70.4	-70.4	+66.6	-66.6	+63.1	-63.1
SINGLE SIDE LITES WITH GLASS TYPES B, C OR D											
	36 3/4"	+75.0	-75.0	+75.0	-75.0	+75.0	-75.0	+75.0	-75.0	+75.0	-75.0

TABLE 2. DESIGN PRESSURES FOR COMBINED DOOR / SIDE LITES ONLY

APPROVED CONFIGURATIONS: OX, XO, OXO, OXX, OXX & OXOX
 (THE LOWER DP FOR THE DOOR OR SIDE LITE PREVAILS)
REINFORCEMENT IS NOT REQUIRED AT DOOR & SIDE LITE CONNECTION

X WIDTH	XX WIDTH	HEIGHT									
		6" - 79 3/4"	7'0" - 83 3/4"	87 3/4"	91 3/4"						
2'0	25 1/2"	+58.6	-58.6	+55.4	-55.4	+52.4	-52.4	+49.8	-49.8	+47.4	-47.4
	27 1/2"	+54.9	-54.9	+51.8	-51.8	+49.0	-49.0	+46.5	-46.5	+44.3	-44.3
	29 1/2"	+51.7	-51.7	+48.8	-48.8	+46.1	-46.1	+43.8	-43.8	+41.6	-41.6
2'6	31 1/2"	+49.0	-49.0	+46.2	-46.2	+43.6	-43.6	+41.4	-41.4	+39.3	-39.3
	33 1/2"	+43.1	-43.1	+43.1	-43.1	+41.5	-41.5	+39.3	-39.3	+37.3	-37.3
	35 1/2"	+38.1	-38.1	+38.1	-38.1	+38.1	-38.1	+37.5	-37.5	+35.6	-35.6
3'0	37 1/2"	+34.0	-34.0	+34.0	-34.0	+34.0	-34.0	+34.0	-34.0	+34.0	-34.0
SINGLE O WIDTH											
GLASS TYPES A, B, C OR D											
SIDE LITE	10 3/4"	+75.0	-75.0	+75.0	-75.0	+75.0	-75.0	+75.0	-75.0	+75.0	-75.0
	12 3/4"	+75.0	-75.0	+75.0	-75.0	+75.0	-75.0	+75.0	-75.0	+75.0	-75.0
	19"	+72.4	-72.4	+68.5	-68.5	+65.0	-65.0	+61.9	-61.9	+59.0	-59.0
	21 3/4"	+64.5	-64.5	+61.0	-61.0	+57.8	-57.8	+55.0	-55.0	+52.4	-52.4
	27 3/4"	+52.9	-52.9	+49.9	-49.9	+47.2	-47.2	+44.7	-44.7	+42.6	-42.6
	36 1/8"	+35.2	-35.2	+35.2	-35.2	+35.2	-35.2	+35.2	-35.2	+34.4	-34.4
	36 3/4"	+34.0	-34.0	+34.0	-34.0	+34.0	-34.0	+34.0	-34.0	+34.0	-34.0

NOTES:

- 1. GLASS TYPES:
 - A. 3/8" LAMI (1/8" A, .090 PVB, 3/16" HS)
 - B. 3/8" LAMI (1/8" HS, .090 PVB, 3/16" HS)
 - C. 7/16" LAMI (3/16" A, .090 PVB, 3/16" HS)
 - D. 7/16" LAMI (3/16" HS, .090 PVB, 3/16" HS)
- 2. COMBINED DOOR & SIDE LITE WIDTHS FOR TABLE 1 OR 2.
 - MAX. OXOX WIDTH = 73 1/2"
 - MAX. OXO WIDTH = 109 1/2"
 - MAX. XOXOXX WIDTH = 107 3/4"
 - MAX. OXOXO WIDTH = 143 3/4"
- 3. SINGLE DOORS 33 5/8" WIDE OR OVER AND THE OPERABLE PANEL OF DOUBLE DOORS 64 1/8" WIDE OR OVER FROM EITHER TABLE COMPLY WITH THE EGRESS REQUIREMENTS OF THE FBC, CURRENT EDITION. NARROWER DOORS MAY BE USED WHERE EGRESS IS NOT REQUIRED BY CODE.
- 4. DESIGN PRESSURES UNDER 40 P.S.F. ARE NOT APPLICABLE IN MIAMI-DADE COUNTY.
- 5. EXAMPLES OF COMBINED DOOR AND SIDE LITE DESIGN PRESSURES:
 - EX. A FROM TABLE 1.
 - OXO WITH GLASS TYPE A
 - 30" WIDE x 90" HIGH SINGLE DOOR WITH 29" SIDE LITES
 - DESIGN PRESSURE = +67.6 / -67.6 PSF
 - EX. B FROM TABLE 1.
 - OXOXO WITH GLASS TYPE A
 - 66" WIDE x 85" HIGH DOUBLE DOOR WITH 36 1/2" SIDE LITES
 - DESIGN PRESSURE = +70.4 / -70.4 PSF
 - EX. C FROM TABLE 2.
 - OXO WITH GLASS TYPE C
 - 30" WIDE x 87 3/4" HIGH SINGLE DOOR WITH 26" SIDE LITES
 - DESIGN PRESSURE = +43.6 / -43.6 PSF
 - EX. D FROM TABLE 2.
 - OXOXO WITH GLASS TYPE C
 - 63 3/4" WIDE x 80" HIGH DOUBLE DOOR WITH 26" SIDE LITES
 - DESIGN PRESSURE = +43.1 / -43.1 PSF
- 6. FOR COMBINED DOOR AND SIDE LITES FROM TABLE 1, WHICH REQUIRED REINFORCEMENT AT DOOR TO SIDE LITE CONNECTION SEE SECTION E-E, SHEET 5 FOR REINFORCEMENT DETAIL.

DESIGN PRESSURES

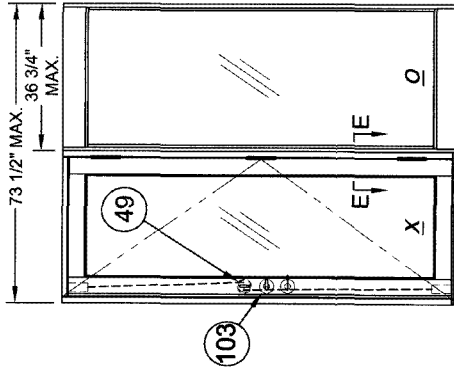
Design No.	Size	Wind Speed	Pressure
FD101	1X	2 or 10	11005-1

PGI
 Visibly Better

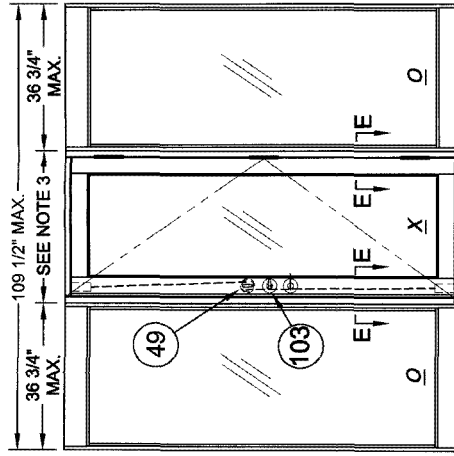
1070 TECHNOLOGY DRIVE
 NOKOMIS, FL 34275
 P.O. BOX 1529
 NOKOMIS, FL 34274

Approved as complying with the Florida Building Code
 Date: 01/15/2007
 NOA#: 07-062970
 Division: Miami Dade Product Control
 By: 15459 L. Casar

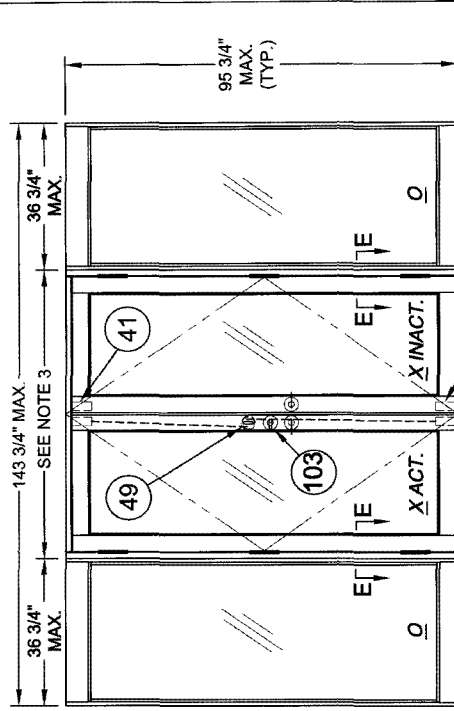
Robert L. Clark, P.E.
 PE #08712
 Structural



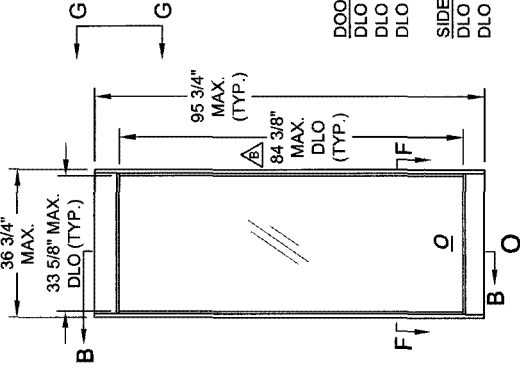
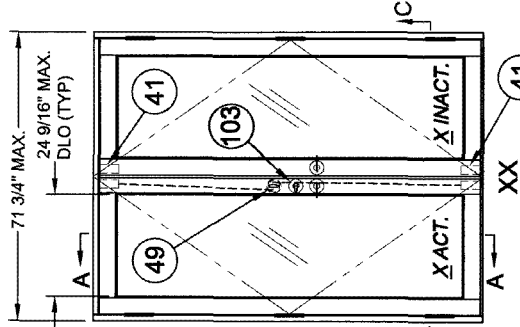
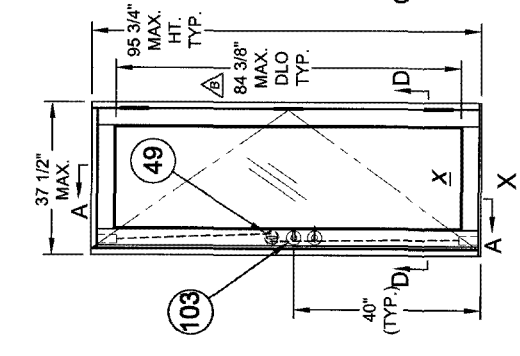
SEE NOTE 4
OX OR XO



SEE NOTE 4
OXO



SEE NOTE 4
OXXO



DOOR
DLO HEIGHT = HEIGHT -11 3/8"
DLO WIDTH 'X' = DOOR WIDTH -12 15/16"
DLO WIDTH 'XX' = DOOR WIDTH/2 -11 5/16"

SIDE LITE
DLO HEIGHT = HEIGHT -11 3/8"
DLO WIDTH = WIDTH -3 1/8"

NOTES:

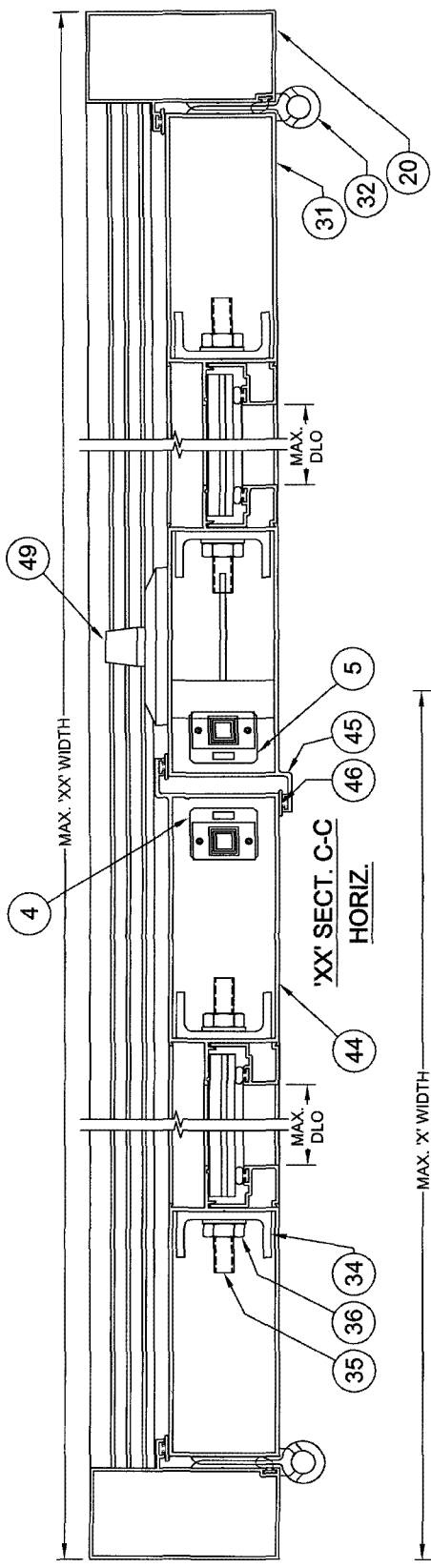
1. FOR ANCHORAGE DETAILS SEE SHEETS 8 THROUGH 10.
2. FOR HORIZONTAL AND VERTICAL SECTIONS SEE SHEETS 4 AND 5.
3. SIDE LITES OVERLAP 'X' AND 'XX' DOORS BY 3/4" WHEN ASSEMBLED TO MAKE 'XO', 'OX', 'OXO', 'XOX', 'OXX' AND 'OXXO' CONFIGURATIONS.
4. REINFORCEMENT LOCATION FOR SIDE LITE TO DOOR CONNECTIONS (SEE APPLICABILITY SHEET 2).
5. CLEAR OPENING FOR 'X' AND 'XX' DOORS AS FOLLOWS: ('X' DOORS = WIDTH - 5.646) ('XX' DOOR = DOOR WIDTH/2 - 4.079)

Approved in accordance with the Florida Building Code
DATE: **OCT 19 2007**
DRAWING NO: **07-0622-10**
PROJECT: **Orange County Prison Expansion**
DESIGNED BY: **15649 L. Clark**

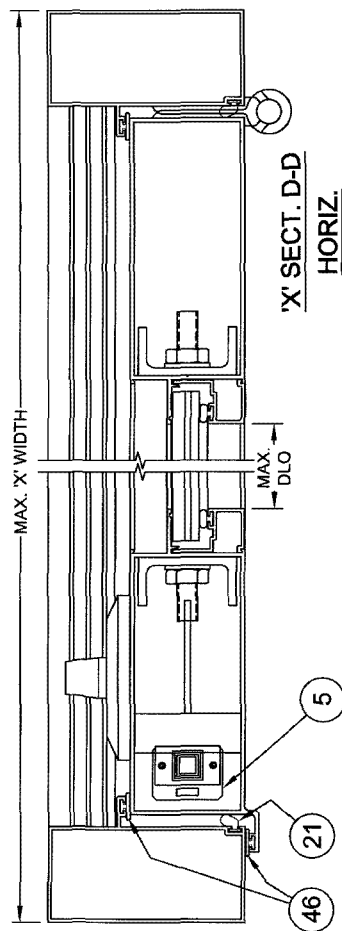
Robert L. Clark

Robert L. Clark, P.E.
PE #99712
Structural

Revised By:	Date:	Revision:	1070 TECHNOLOGY DRIVE NOKOMIS, FL 34275 P.O. BOX 1629 NOKOMIS, FL 34274
Revised By:	Date:	Revision:	<p>PGI Visibly Better</p> <p>ELEVATIONS ALUM. FRENCH DOOR & SIDE LITES, IMPACT</p>
Revised By:	Date:	Revision:	
Revised By:	Date:	Revision:	
Revised By:	Date:	Revision:	
Drawn By:	Date:	8/14/07	Sheet
F.K.	8/14/07	3	of 10
F.K.	8/14/07	NTS	Drawing No.
F.K.	8/14/07	11005-1	Project
			B



'XX' SECT. C-C
HORIZ.

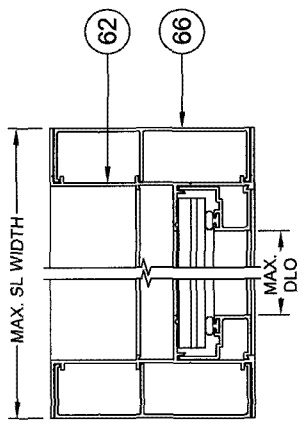


'X' SECT. D-D
HORIZ.

67) SPACING, SAME AS
JAMB ANCHOR SPACING
(SEE SHEETS 7, 8 AND 9)

SEE TABLES 1 AND 2 AND
NOTES ON SHEETS 1 & 2
FOR APPLICABILITY

INTERIOR
↕
EXTERIOR



SL SECT. F-F
HORIZ. (SINGLE SIDE LITE)

MAX. SL WIDTH

MAX. DLO

SL SECT. E-E
HORIZ. (DOOR W/ SIDE LITE)

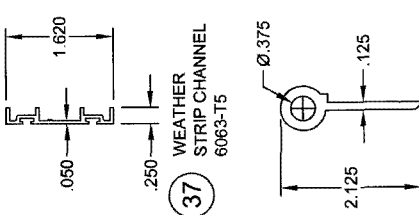
MAX. SL WIDTH

MAX. DLO

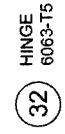
Approved as complying with the
Florida Building Code
Permit No. 07-012807
NOAH 07-012807-10
Miami Dade Product Control
Division
By Shirley I. Casarola

Robert L. Clark
Robert L. Clark, P.E.
PE #93712
Structural

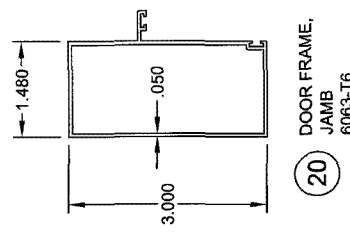
Revised By:	Date:	Revisions:	1070 TECHNOLOGY DRIVE NOKOMIS, FL 34275 P.O. BOX 1629 NOKOMIS, FL 34274	PGI Visibly Better	FD101	Scale:	Sheet:	Drawing No.:	Rev:
Revised By:	Date:	Revisions:	NO CHANGE THIS SHEET.			1/2X	5 of 10	11005-1	B
Revised By:	Date:	Revisions:	ADD 'DOOR W/ SIDE LITE' TO SECTION E-E & 'SINGLE SIDE LITE' TO SECT. F-F						
Drawn By:	Date:	Checked By:							
F.K.	8/18/07	B							
F.K.	8/14/07	A							
F.K.	2/22/07	J.J.							



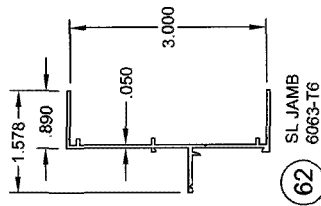
37 WEATHER STRIP CHANNEL 6063-T5



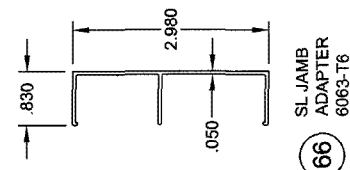
32 HINGE 6063-T5



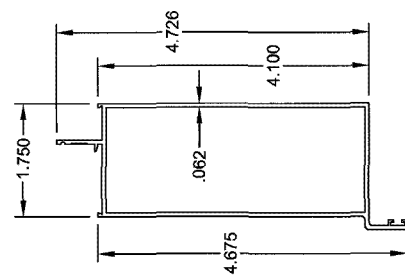
20 DOOR FRAME, JAMB 6063-T6



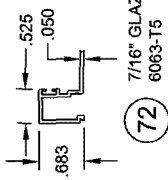
62 SL JAMB 6063-T6



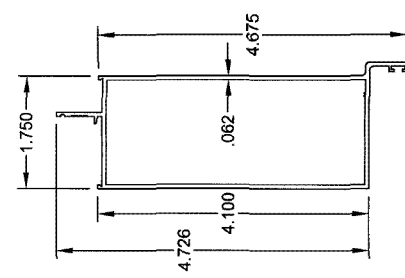
66 SL JAMB ADAPTER 6063-T6



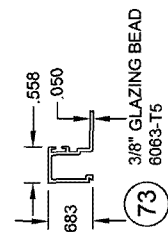
45 DOOR PANEL EXTERIOR ASTRAGAL 6063-T5



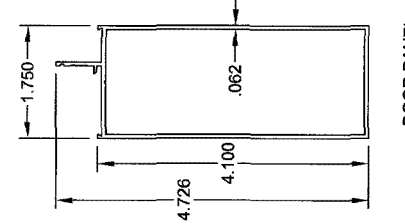
72 7/16" GLAZING BEAD 6063-T5



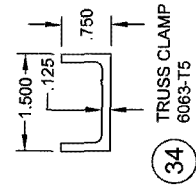
44 DOOR PANEL INTERIOR ASTRAGAL 6063-T5



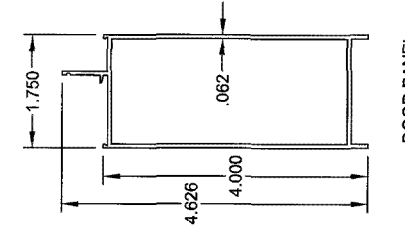
73 3/8" GLAZING BEAD 6063-T5



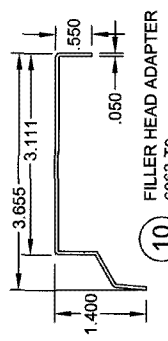
31 DOOR PANEL SIDE RAIL 6063-T5



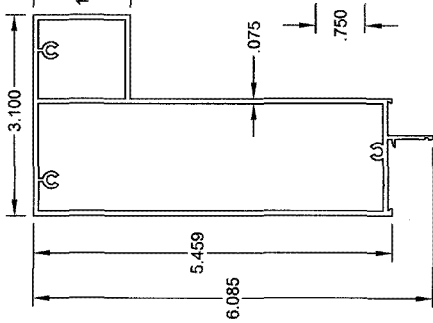
34 TRUSS CLAMP 6063-T5



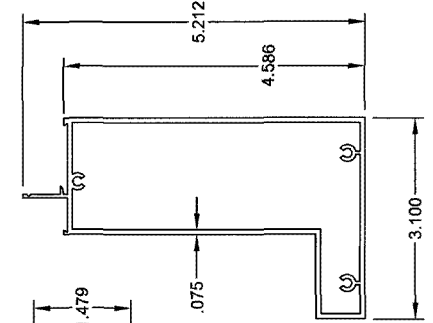
30 DOOR PANEL TOP & BOTTOM RAIL 6063-T5



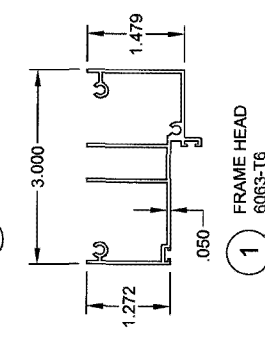
10 FILLER HEAD ADAPTER 6063-T6



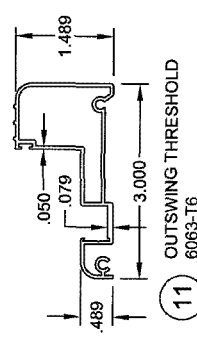
61 SL SILL 6063-T6



61 SL SILL 6063-T6



1 FRAME HEAD 6063-T6



11 OUTSWING THRESHOLD 6063-T6

Approved as complying with the Florida Building Code
 Date: OCT 18, 2007
 NOAH 07-06286
 Miami Made Product Control
 Divisop
 By: S. Chacko

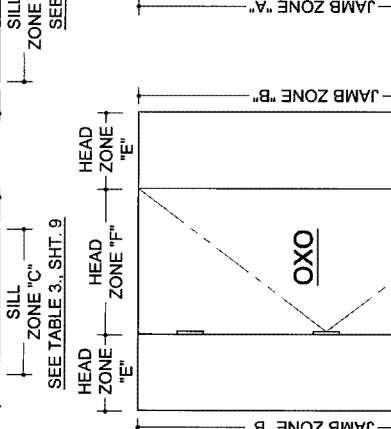
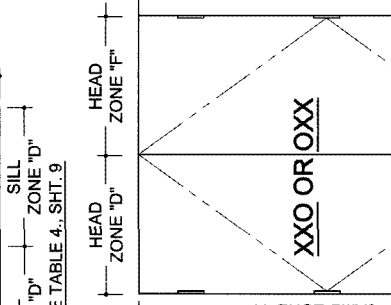
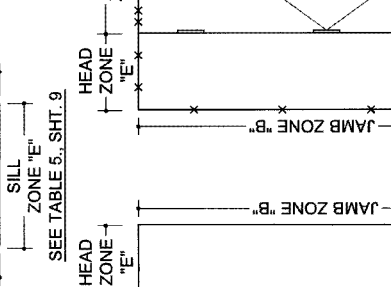
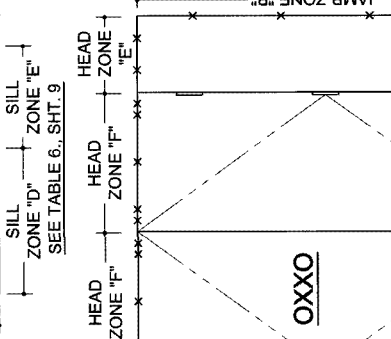
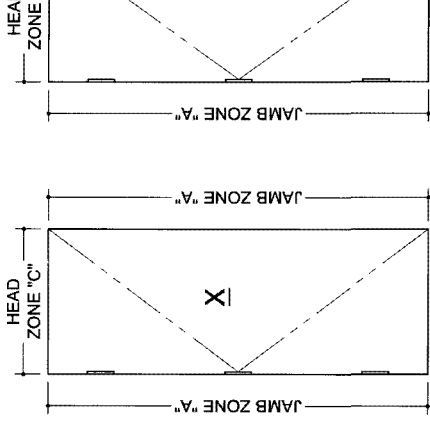
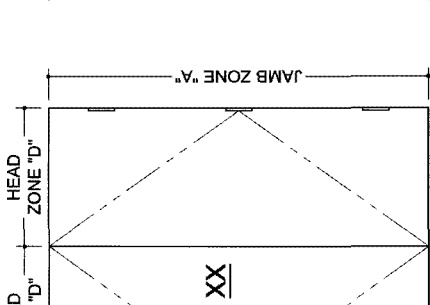
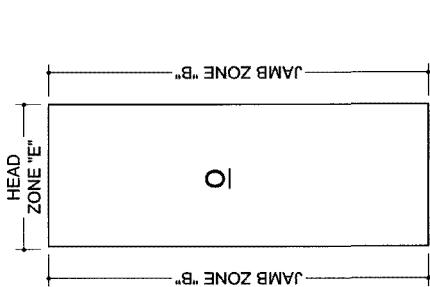
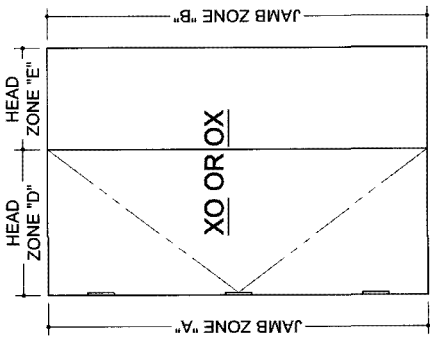
Robert L. Clark, P.E.
 PE 659712
 Structural

Revison: Revison: Revison: Revison: Checked By: Date:	Revison: B A A J.J. 8/18/07 8/14/07 2/22/07	NO CHANGE THIS SHEET. ADD "DOOR" TO ITEM 20 & GLASS BED DIM. TO ITEMS 30, 31, 44, 45 & 62	1070 TECHNOLOGY DRIVE NOKOMIS, FL 34275 P.O. BOX 1529 NOKOMIS, FL 34274	Description: EXTRUSION PROFILES ALUM. FRENCH DOOR & SIDE LITES, IMPACT	Scale: 1/2X	Sheet: 7 of 10	Drawing No. 11005-1	Title: B
--	--	--	--	--	----------------	-------------------	------------------------	-------------

EXAMPLE
ANCHORAGE SOLUTION
FOR A CONCRETE
OXO INSTALLATION

A. 19" x 83 3/4" SIDE LITES "B" AND "E" ZONE ANCHORS FROM TABLE 7, SHEET 9.
 PLUS;
 B. 71 3/4" x 83 3/4" XX DOOR ZONE "F" ANCHORS FROM TABLE 4, SHEET 9, EACH "F" ZONE.
 SEE ENCIRCLED VALUES, SHEET 9

SOLUTION:
 TOTALS (4) TYPE 1 OR 2 ANCHORS EACH JAMB AND 2+5+5+2 = (14) TYPE 1 OR 2 ANCHORS AT HEAD AND AT SILL.



Approved as complying with the Florida Building Code
 Date 08/18/2007
 NO.# 07-0655-10
 Miami Date Product Control
 By: Isaac J. Chaudhry

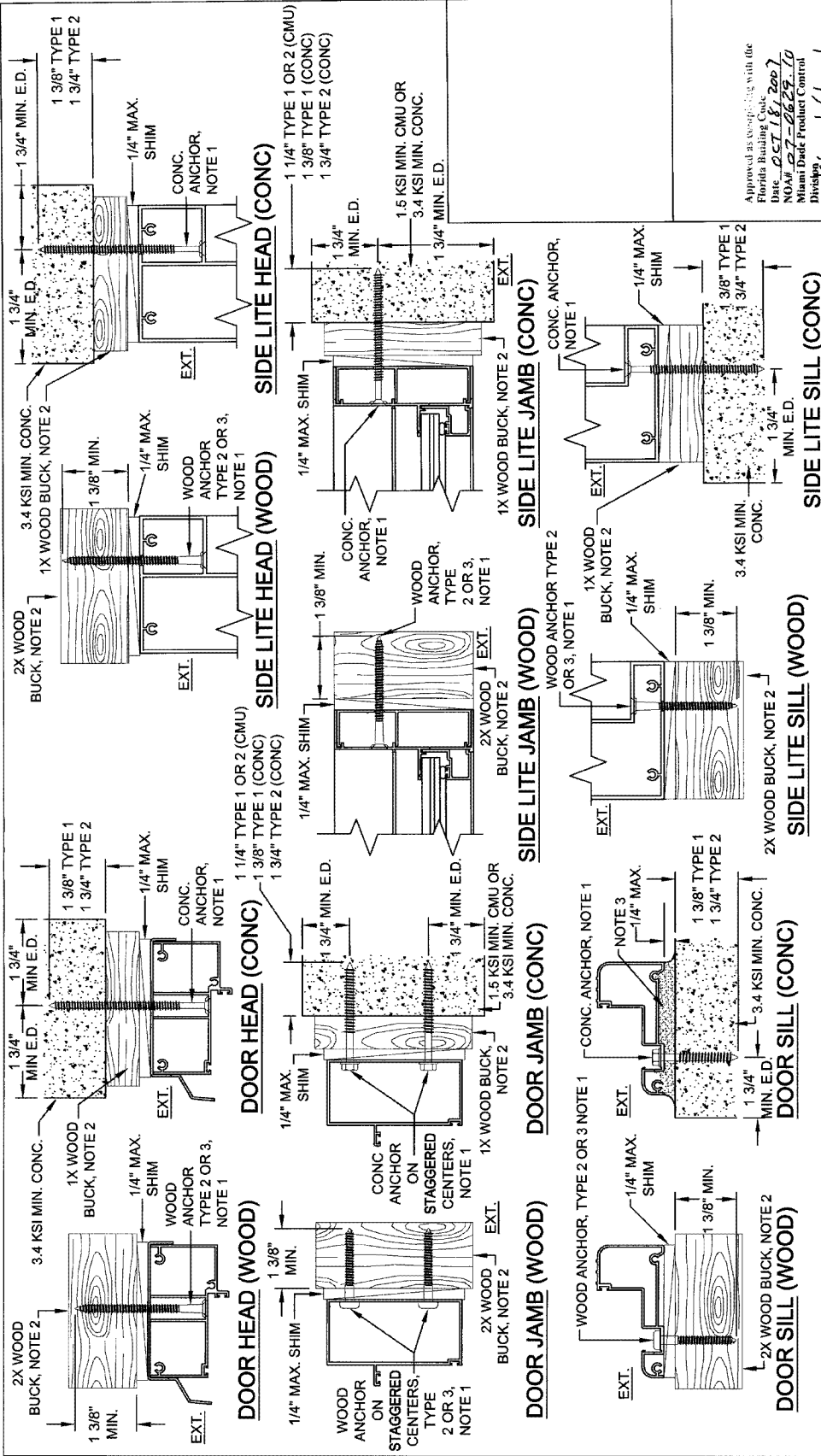
Robert L. Clark, P.E.
 PE #39712
 Structural

NOTES:
 1. APPROVED ANCHOR TYPES ARE: 1. 1/4" ELCO TAPCONS 2. 1/4" ELCO SS4 CRETE-FLEX MASONRY ANCHORS 3. #12 SCREWS
 2. ANCHOR QUANTITIES ARE BASED ON SPACING AS FOLLOWS (3" MIN. O.C. FOR CONCRETE); SEE EXAMPLE OXO ANCHOR LAYOUT ABOVE.
 JAMBS (ALL): 13 1/4" MAX. FROM CORNERS AND 23 1/8" MAX. O.C.
 HEAD & SILL OF DOORS: 6" MAX. FROM CORNERS, 9" MAX. FROM ASTRAGAL CENTERS AND 20 3/4" MAX. O.C.
 HEAD & SILL OF SIDE LITES: 6" MAX. FROM CORNERS AND 24 3/4" MAX. O.C.
 3. TO DETERMINE ANCHOR QUANTITIES FIND THE CONFIGURATION ABOVE THEN REFER TO THE APPROPRIATE TABLES ON SHEET 9.

ALSO USED AS AN EXAMPLE OF ANCHORAGE FOR A 83 3/4" UNIT,
 71 3/4" XX DOOR WITH 19"W SIDE LITES (SEE SOLUTION ABOVE).

Revised By:	Date:	Revision:
F.K.	07/18/07	B NO CHANGE THIS SHEET.
F.K.	07/18/07	A CHANGE 'XO' OR 'OX' ANCHOR ZONE FROM 'C' TO 'D'. ADD ANCHOR TYPES TO SOLUTION.
F.K.	08/21/07	C
F.K.	08/21/07	D

1070 TECHNOLOGY DRIVE NOKOMIS, FL 34276	PGI Vershby Bechter
P.O. BOX 1629 NOKOMIS, FL 34274	Description: ANCHORAGE, CONFIGURATIONS Title: ALUM. FRENCH DOOR & SIDE LITES, IMPACT Drawing No.: 11005-1 Sheet: 8 of 10 Scale: NTS Rev: B



NOTES:

- FOR CONCRETE INSTALLATIONS IN MIAMI-DADE COUNTY APPROVED ELCO 1/4" TAPCONS EMBEDDED 1 3/8" MIN. (TYPE 1) OR 1/4" SS4 CRETE-FLEX EMBEDDED 1 3/4" MIN. (TYPE 2). THE MINIMUM DISTANCE FROM CENTER OF ANCHOR TO CONCRETE EDGE IS 1 3/4". FOR WOOD INSTALLATIONS USE #12 SCREWS, G5 (TYPE 3) OR ELCO 1/4" SS4 CRETE-FLEX ANCHORS EMBEDDED 1 3/8" MIN. (TYPE 2).
- WOOD BUCKS DEPICTED AS 1x ARE LESS THAN 1 1/2" THICK. 1x WOOD BUCKS ARE OPTIONAL IF UNIT IS INSTALLED DIRECTLY TO SOLID CONCRETE. WOOD BUCKS DEPICTED AS 2x ARE 1 1/2" THICK OR GREATER. INSTALLATION TO THE SUBSTRATE OF WOOD BUCKS TO BE ENGINEERED BY OTHERS OR AS APPROVED BY THE AUTHORITY HAVING JURISDICTION (A.H.).
- IF SILL IS TIGHT TO SUBSTRATE, GROUT OR OTHER MATERIAL IS NOT REQUIRED. IF USED, NON-SHRINK, NON-METALLIC GROUT (3400 PSI MIN.), (DONE BY OTHERS) MUST FULLY SUPPORT THE ENTIRE LENGTH OF THE SILL THAT IS NOT TIGHT TO THE SUBSTRATE, AND TRANSFER SHEAR LOAD TO SUBSTRATE. IF SUBSTRATE IS WOOD, 30# FELT PAPER OR MASTIC IS REQUIRED BETWEEN THE GROUT AND WOOD SUBSTRATE, OR AS APPROVED BY THE AUTHORITY HAVING JURISDICTION.

Approved as shown with the Florida Building Code Title 27, Part 27.06, 27.07, 27.08, 27.09, 27.10, 27.11, 27.12, 27.13, 27.14, 27.15, 27.16, 27.17, 27.18, 27.19, 27.20, 27.21, 27.22, 27.23, 27.24, 27.25, 27.26, 27.27, 27.28, 27.29, 27.30, 27.31, 27.32, 27.33, 27.34, 27.35, 27.36, 27.37, 27.38, 27.39, 27.40, 27.41, 27.42, 27.43, 27.44, 27.45, 27.46, 27.47, 27.48, 27.49, 27.50, 27.51, 27.52, 27.53, 27.54, 27.55, 27.56, 27.57, 27.58, 27.59, 27.60, 27.61, 27.62, 27.63, 27.64, 27.65, 27.66, 27.67, 27.68, 27.69, 27.70, 27.71, 27.72, 27.73, 27.74, 27.75, 27.76, 27.77, 27.78, 27.79, 27.80, 27.81, 27.82, 27.83, 27.84, 27.85, 27.86, 27.87, 27.88, 27.89, 27.90, 27.91, 27.92, 27.93, 27.94, 27.95, 27.96, 27.97, 27.98, 27.99, 27.100.

Robert L. Clark, P.E.
 PE #39712
 Structural

Revised By:	Date:	Revised By:	Date:	Revised By:	Date:	Revised By:	Date:
F.K.	9/18/07	B		F.K.	8/14/07	J.J.	6/21/07
NO CHANGE THIS SHEET							
SPEC. TYPE 1 & 2 EMBED. ON CONC. DETAILS. SPEC. TYPE 2 & 3 ON WOOD							
DETAILS. ADD ANCHOR TYPES TO NOTE 1.							
Drawn By:	Date:	Checked By:	Date:				
F.K.	2/22/07	J.J.	6/21/07				
Manufacturer: PGT 1070 TECHNOLOGY DRIVE NOKOMIS, FL 34275 P.O. BOX 1529 NOKOMIS, FL 34274 Website: PGT Visible Better				Drawing No. 11005-1 Sheet 10 of 10 Title: ANCHORAGE DETAILS ALUM. FRENCH DOOR & SIDE LITES, IMPACT			