



MIAMI-DADE COUNTY
BUILDING CODE COMPLIANCE OFFICE (BCCO)
PRODUCT CONTROL DIVISION

MIAMI-DADE COUNTY, FLORIDA
METRO-DADE FLAGLER BUILDING
140 WEST FLAGLER STREET, SUITE 1603
MIAMI, FLORIDA 33130-1563
(305) 375-2901 FAX (305) 372-6339

NOTICE OF ACCEPTANCE (NOA)

www.maimidade.gov/buildingcode

Innovative Window Concepts, LLC
1801 Corporate Drive
Boynton Beach, FL 33426

SCOPE:

This NOA is being issued under the applicable rules and regulations governing the use of construction materials. The documentation submitted has been reviewed by Miami-Dade County Product Control Division and accepted by the Board of Rules and Appeals (BORA) to be used in Miami Dade County and other areas where allowed by the Authority Having Jurisdiction (AHJ).

This NOA shall not be valid after the expiration date stated below. The Miami-Dade County Product Control Division (In Miami Dade County) and/or the AHJ (in areas other than Miami Dade County) reserve the right to have this product or material tested for quality assurance purposes. If this product or material fails to perform in the accepted manner, the manufacturer will incur the expense of such testing and the AHJ may immediately revoke, modify, or suspend the use of such product or material within their jurisdiction. BORA reserves the right to revoke this acceptance, if it is determined by Miami-Dade County Product Control Division that this product or material fails to meet the requirements of the applicable building code. This product is approved as described herein, and has been designed to comply with the Florida Building Code, including the High Velocity Hurricane Zone.

DESCRIPTION: Series 3072 Aluminum Fixed Window – S.M.I.

APPROVAL DOCUMENT: Drawing No. **W04-05**, titled “S-3072 Aluminum Fixed Window (S.M.I.)”, sheets 1 through 4 of 4, dated 01/14/04 with revision B dated 09/24/07, prepared by Al-Farooq Corporation, signed and sealed by Humayoun Farooq, P.E., bearing the Miami-Dade County Product Control Revision stamp with the Notice of Acceptance number and expiration date by the Miami-Dade County Product Control Division.

MISSILE IMPACT RATING: Small Missile Impact Resistant

LABELING: Each unit shall bear a permanent label with the manufacturer's name or logo, city, state and following statement: "Miami-Dade County Product Control Approved", unless otherwise noted herein.

RENEWAL of this NOA shall be considered after a renewal application has been filed and there has been no change in the applicable building code negatively affecting the performance of this product.

TERMINATION of this NOA will occur after the expiration date or if there has been a revision or change in the materials, use, and/or manufacture of the product or process. Misuse of this NOA as an endorsement of any product, for sales, advertising or any other purposes shall automatically terminate this NOA. Failure to comply with any section of this NOA shall be cause for termination and removal of NOA.

ADVERTISEMENT: The NOA number preceded by the words Miami-Dade County, Florida, and followed by the expiration date may be displayed in advertising literature. If any portion of the NOA is displayed, then it shall be done in its entirety.

INSPECTION: A copy of this entire NOA shall be provided to the user by the manufacturer or its distributors and shall be available for inspection at the job site at the request of the Building Official. This NOA revises NOA # **05-0706.06** and consists of this page 1 and evidence page E-1, as well as approval document mentioned above.

The submitted documentation was reviewed by **Manuel Perez, P.E.**

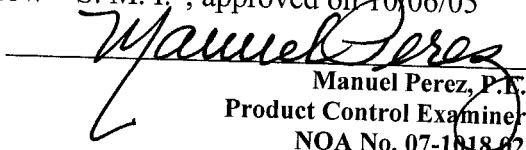


NOA No. 07-1018.02
Expiration Date: August 26, 2009
Approval Date: April 24, 2008
Page 1

Innovative Window Concepts, LLC

NOTICE OF ACCEPTANCE: EVIDENCE SUBMITTED

- A. DRAWINGS**
1. Manufacturer's die drawings and sections.
 2. Drawing No **W04-05**, Sheets 1 through 4 of 4, titled "S-3072 Aluminum Fixed Window (S.M.I.)", dated 01/14/04 with revision B dated 09/24/07, prepared by Al-Farooq Corporation, signed and sealed by Humayoun Farooq, P.E.
- B. TESTS**
1. Test reports on: 1) Air Infiltration Test, per FBC, TAS 202-94
2) Uniform Static Air Pressure Test, Loading per FBC TAS 202-94
3) Water Resistance Test, per FBC, TAS 202-94
4) Small Missile Impact Test per FBC, TAS 201-94
5) Cyclic Wind Pressure Loading per FBC, TAS 203-94
along with marked-up drawings and installation diagram of 7 specimens of Series 3072 aluminum fixed "picture" window, prepared by American Test Lab of South Florida, Test Report No. **ATL-0428.01-03**, dated 09/30/03, signed and sealed by William R. Mehner, P.E. and Henry Hattem, P.E. (*Submitted under NOA#04-0528.02*)
- C. CALCULATIONS**
1. Anchor verification calculations and structural analysis, complying with FBC-2004, prepared by Al-Farooq Corporation, dated 09/21/07, signed and sealed by Humayoun Farooq, P.E. **Complies with ASTM E1300-02**
- D. QUALITY ASSURANCE**
1. Miami Dade Building Code Compliance Office (BCCO).
- E. MATERIAL CERTIFICATIONS**
1. Notice of Acceptance No. **06-0216.06** issued to Solutia Inc. for their "Saflex III^G Clear or colored Interlayer" dated 05/04/06, expiring on 05/21/11.
- F. STATEMENTS**
1. Statement letter of conformance, dated September 21, 2007, signed and sealed by Humayoun Farooq, P.E.
 2. Statement letter of no financial interest, dated September 21, 2007, signed and sealed by Humayoun Farooq, P.E.
 3. Laboratory compliance letter for Test Report no. ATLSF-0428.01-03, issued by American Test Lab of South Florida, dated September 30, 2003, signed and sealed by William R. Mehner, P.E. and Henry Hattem, P.E.
- G. OTHER**
1. Notice of Acceptance No. **05-0706.06**, issued to Innovative Window Concepts LLC for their "Series 3072 Aluminum Fixed Window - S. M. I.", approved on 10/06/05 and expiring on 08/26/09.


Manuel Perez, P.E.
Product Control Examiner
NOA No. 07-1618.02
Expiration Date: August 26, 2009
Approval Date: April 24, 2008

SMALL MISSILE IMPACT RESISTANT PRODUCT.
 MIAMI-DADE COUNTY APPROVED IMPACT RESISTANT SHUTTERS
 REQD. FOR INSTALLATIONS UPTO 30 FT. OF GRADE.
 SHUTTERS NOT REQD. FOR INSTALLATIONS ABOVE 30 FT.

S-3072 ALUMINUM FIXED WINDOW

DESIGN LOAD RATING FOR THESE WINDOWS TO BE AS PER
 CHARTS SHOWN ON SHEET 2.

APPROVAL APPLIES TO SINGLE WINDOWS ALSO SIDE BY SIDE
 COMBINATIONS OF FIXED/FIXED OR FIXED WITH OTHER WINDOW
 TYPES IN MODULES OF TWO OR MORE WINDOWS USING
 MIAMI-DADE COUNTY APPROVED MULLIONS.

THIS PRODUCT HAS BEEN DESIGNED AND TESTED TO COMPLY WITH THE
 REQUIREMENTS OF THE FLORIDA BUILDING CODE 2004 EDITION INCLUDING
 HIGH VELOCITY HURRICANE ZONE (HVHZ).

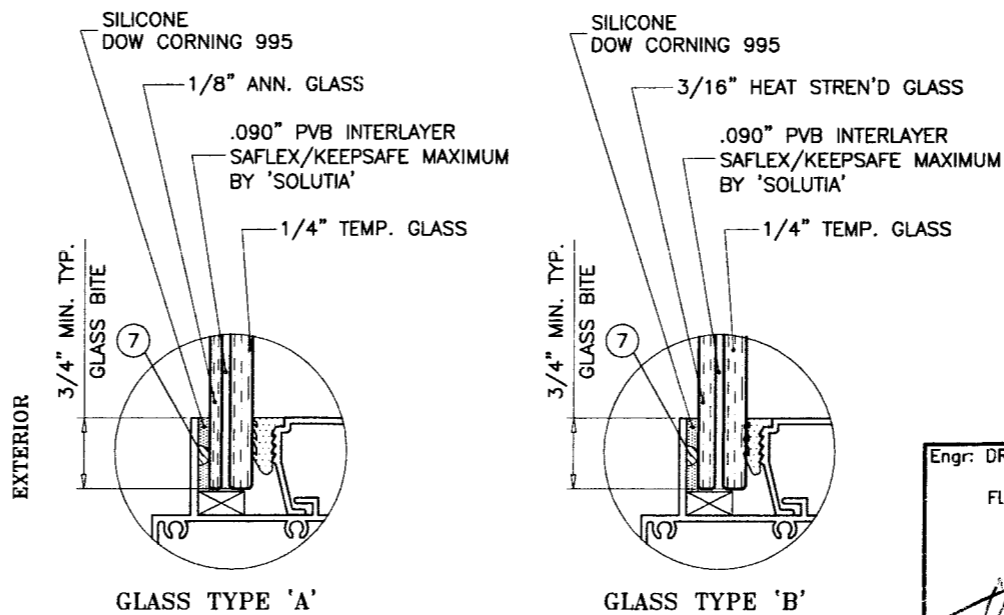
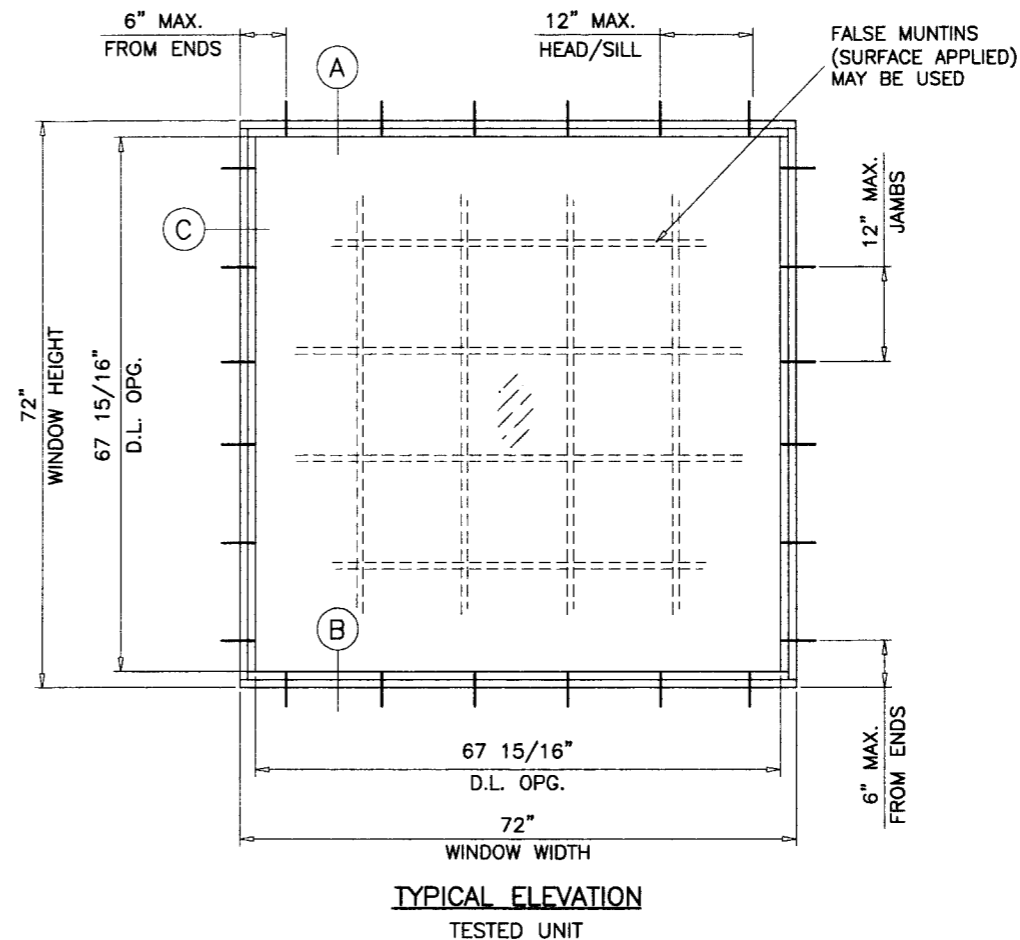
WOOD BUCKS BY OTHERS, MUST BE ANCHORED PROPERLY TO TRANSFER
 LOADS TO THE STRUCTURE.

ANCHORS SHALL BE AS LISTED, SPACED AS SHOWN ON DETAILS, ANCHORS
 EMBEDMENT TO BASE MATERIAL SHALL BE BEYOND WALL DRESSING OR STUCCO.

ANCHORING OR LOADING CONDITIONS NOT SHOWN IN THESE DETAILS
 ARE NOT PART OF THIS APPROVAL.

A LOAD DURATION INCREASE IN ALLOWABLE STRESS IS USED IN DESIGN OF
 ANCHORS INTO WOOD ONLY.

MATERIALS INCLUDING BUT NOT LIMITED TO STEEL/METAL SCREWS, THAT COME INTO
 CONTACT WITH OTHER DISSIMILAR MATERIALS SHALL MEET THE REQUIREMENTS
 OF 2004 FLORIDA BLDG. CODE SECTION 2003.8.4.



GLAZING OPTIONS

Engr. DR. HUMAYOUN FAROOQ
 STRUCTURES
 FLA. PE # 16557
 C.A.N. 3538

PRODUCT REVISED
 as complying with the Florida
 Building Code
 Acceptance No. **07-1018.02**
 Expiration Date **Aug. 26, 2009**

SEP 25 2007

By *Manuel Serrano*
 Miami-Dade Product Control
 Division

afC
AL-FAROOQ CORPORATION
 ENGINEERS & PRODUCT DEVELOPMENT
 1235 S.W. 87 AVE
 MIAMI, FLORIDA 33174
 TEL. (305) 264-8100 FAX. (305) 262-6978
 COMP-ANL\W04-05IWS

S-3072 ALUMINUM FIXED WINDOW (S.M.I.)
INNOVATIVE WINDOW CONCEPTS
 505 INDUSTRIAL WAY
 BOYNTON BEACH, FL. 33426
 TEL. (561) 493-2303 FAX. (561) 493-2302

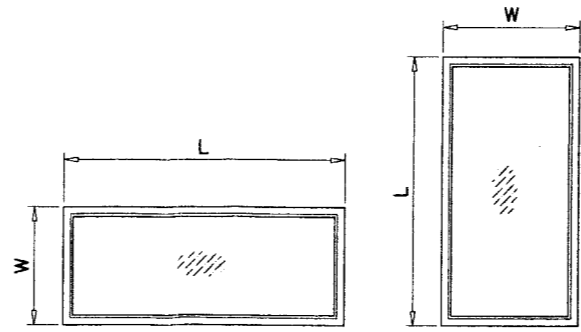
no	date	description
A	05.31.05	NOTES REV.
B	09.24.07	GENERAL REVISION

date:	01-14-04
scale:	1/2" = 1'-0"
dr. by:	HAMID
chk. by:	

drawing no.
W04-05
 sheet 1 of 4

DESIGN LOAD CAPACITY - PSF										
WINDOW DIMS.		GLASS TYPE 'A'				GLASS TYPE 'B'				
		ANCHORS 'A'		ANCHORS 'B'		ANCHORS 'A'		ANCHORS 'B'		
WIDTH	LENGTH	EXT.(+)	INT.(-)	EXT.(+)	INT.(-)	EXT.(+)	INT.(-)	EXT.(+)	INT.(-)	
30"	24"	90.0	144.0	90.0	155.0	90.0	144.0	90.0	155.0	
36"		90.0	108.0	90.0	155.0	90.0	108.0	90.0	155.0	
42"		90.0	115.2	90.0	155.0	90.0	115.2	90.0	155.0	
48"		90.0	96.0	90.0	155.0	90.0	96.0	90.0	155.0	
54"		90.0	102.9	90.0	155.0	90.0	102.9	90.0	155.0	
60"		90.0	90.0	90.0	155.0	90.0	90.0	90.0	155.0	
66"		90.0	96.0	90.0	155.0	90.0	96.0	90.0	155.0	
72"		86.4	86.4	90.0	155.0	86.4	86.4	90.0	155.0	
30"	36"	90.0	98.7	90.0	155.0	90.0	98.7	90.0	155.0	
36"		90.0	96.0	90.0	155.0	90.0	96.0	90.0	155.0	
42"		90.0	96.0	90.0	155.0	90.0	96.0	90.0	155.0	
48"		76.8	76.8	90.0	151.9	76.8	76.8	90.0	155.0	
54"		80.0	80.0	90.0	125.0	80.0	80.0	90.0	155.0	
60"		68.6	68.6	90.0	113.8	68.6	68.6	90.0	155.0	
66"		72.0	72.0	90.0	104.1	72.0	72.0	90.0	155.0	
72"		64.0	64.0	90.0	96.3	64.0	64.0	90.0	155.0	
30"	48"	83.8	83.8	90.0	155.0	83.8	83.8	90.0	155.0	
36"		76.8	76.8	90.0	151.9	76.8	76.8	90.0	155.0	
42"		73.1	73.1	90.0	121.8	73.1	73.1	90.0	155.0	
48"		72.0	72.0	90.0	110.2	72.0	72.0	90.0	155.0	
54"		72.0	72.0	90.0	100.2	72.0	72.0	90.0	155.0	
60"		60.0	60.0	90.0	90.4	60.0	60.0	90.0	155.0	
66"		61.7	61.7	81.9	81.9	61.7	61.7	90.0	155.0	
72"		54.0	54.0	72.7	72.7	54.0	54.0	90.0	140.0	
30"	60"	76.8	76.8	90.0	144.9	76.8	76.8	90.0	155.0	
36"		68.6	68.6	90.0	113.8	68.6	68.6	90.0	155.0	
42"		63.3	63.3	90.0	98.7	63.3	63.3	90.0	155.0	
48"		60.0	60.0	90.0	90.4	60.0	60.0	90.0	155.0	
54"		58.2	58.2	83.7	83.7	58.2	58.2	88.5	152.5	
60"		57.6	57.6	78.3	78.3	57.6	57.6	90.0	140.0	
66"		57.6	57.6	72.1	72.1	57.6	57.6	90.0	140.0	
72"		49.4	49.4	68.2	68.2	49.4	49.4	90.0	140.0	
30"	72"	72.8	72.8	90.0	128.8	72.8	72.8	90.0	155.0	
36"		64.0	64.0	90.0	96.3	64.0	64.0	90.0	155.0	
42"		58.1	58.1	81.6	81.6	58.1	58.1	90.0	155.0	
48"		54.0	54.0	72.7	72.7	54.0	54.0	90.0	140.0	
54"		51.2	51.2	69.7	69.7	51.2	51.2	90.0	140.0	
60"		49.4	49.4	68.2	68.2	49.4	49.4	90.0	140.0	
66"		48.3	48.3	63.9	63.9	48.3	48.3	90.0	140.0	
72"		48.0	48.0	60.2	60.2	48.0	48.0	90.0	140.0	
30"	84"	70.1	70.1	90.0	117.1	70.1	70.1	90.0	155.0	
36"		61.1	61.1	84.9	84.9	61.1	61.1	90.0	155.0	
42"		54.9	54.9	65.7	65.7	54.9	54.9	90.0	140.0	
48"		50.4	50.4	61.8	61.8	50.4	50.4	90.0	140.0	
54"		47.2	47.2	61.0	61.0	47.2	47.2	88.4	137.5	
60"		44.8	44.8	58.7	58.7	44.8	44.8	84.0	130.7	
30"		96"	68.3	68.3	90.0	115.1	68.3	68.3	90.0	155.0
36"			59.1	59.1	71.7	71.7	59.1	59.1	90.0	140.0
42"	52.7		52.7	60.5	60.5	52.7	52.7	90.0	140.0	
48"	48.0		48.0	56.5	56.5	48.0	48.0	90.0	140.0	
54"	44.5		44.5	52.5	52.5	44.5	44.5	83.5	129.9	

DESIGN LOAD CAPACITY - PSF									
WINDOW DIMS.		GLASS TYPE 'A'				GLASS TYPE 'B'			
		ANCHORS 'A'		ANCHORS 'B'		ANCHORS 'A'		ANCHORS 'B'	
WIDTH	LENGTH	EXT.(+)	INT.(-)	EXT.(+)	INT.(-)	EXT.(+)	INT.(-)	EXT.(+)	INT.(-)
19-1/8"	26"	90.0	155.0	90.0	155.0	90.0	155.0	90.0	155.0
24"		90.0	144.0	90.0	155.0	90.0	144.0	90.0	155.0
26-1/2"		90.0	155.0	90.0	155.0	90.0	155.0	90.0	155.0
32"		90.0	125.9	90.0	155.0	90.0	125.9	90.0	155.0
37"		90.0	132.9	90.0	155.0	90.0	132.9	90.0	155.0
40"		90.0	118.2	90.0	155.0	90.0	118.2	90.0	155.0
48"		90.0	91.1	90.0	155.0	90.0	91.1	90.0	155.0
53-1/8"		90.0	99.4	90.0	155.0	90.0	99.4	90.0	155.0
19-1/8"	38-3/8"	90.0	150.5	90.0	155.0	90.0	150.5	90.0	155.0
24"		90.0	131.0	90.0	155.0	90.0	131.0	90.0	155.0
26-1/2"		90.0	124.6	90.0	155.0	90.0	124.6	90.0	155.0
32"		90.0	115.8	90.0	155.0	90.0	115.8	90.0	155.0
37"		90.0	112.8	90.0	155.0	90.0	112.8	90.0	155.0
40"		90.0	103.9	90.0	155.0	90.0	103.9	90.0	155.0
48"		75.0	75.0	90.0	130.7	75.0	75.0	90.0	155.0
53-1/8"		79.6	79.6	90.0	119.4	79.6	79.6	90.0	155.0
19-1/8"	50-5/8"	90.0	132.0	90.0	155.0	90.0	132.0	90.0	155.0
24"		90.0	111.8	90.0	155.0	90.0	111.8	90.0	155.0
26-1/2"		90.0	104.7	90.0	155.0	90.0	104.7	90.0	155.0
32"		90.0	93.6	90.0	155.0	90.0	93.6	90.0	155.0
37"		87.2	87.2	90.0	128.8	87.2	87.2	90.0	155.0
40"		84.6	84.6	90.0	120.6	84.6	84.6	90.0	155.0
48"		72.0	72.0	90.0	105.1	72.0	72.0	90.0	155.0
53-1/8"		73.6	73.6	90.0	97.9	73.6	73.6	90.0	155.0
19-1/8"	63"	90.0	121.7	90.0	155.0	90.0	121.7	90.0	155.0
24"		90.0	101.6	90.0	155.0	90.0	101.6	90.0	155.0
26-1/2"		90.0	94.4	90.0	155.0	90.0	94.4	90.0	155.0
32"		82.7	82.7	90.0	126.9	82.7	82.7	90.0	155.0
37"		75.6	75.6	90.0	105.6	75.6	75.6	90.0	155.0
40"		72.3	72.3	90.0	97.9	72.3	72.3	90.0	155.0
48"		66.5	66.5	85.9	85.9	66.5	66.5	90.0	155.0
53-1/8"		64.3	64.3	80.5	80.5	64.3	64.3	90.0	155.0
19-1/8"	76"	90.0	114.2	90.0	155.0	90.0	114.2	90.0	155.0
24"		90.0	94.5	90.0	155.0	90.0	94.5	90.0	155.0
26-1/2"		87.3	87.3	90.0	155.0	87.3	87.3	90.0	155.0
32"		75.6	75.6	90.0	111.0	75.6	75.6	90.0	155.0
37"		68.2	68.2	88.6	88.6	68.2	68.2	90.0	155.0
40"		64.8	64.8	80.3	80.3	64.8	64.8	90.0	155.0
48"		58.2	58.2	68.5	68.5	58.2	58.2	90.0	140.0
53-1/8"		55.3	55.3	66.4	66.4	55.3	55.3	90.0	140.0




NOTE:
WIDTH AND LENGTH DIMENSIONS CAN BE ORIENTED
VERTICALLY OR HORIZONTALLY AS SHOWN ABOVE.

NOTE:
GLASS CAPACITIES ON THIS SHEET ARE
BASED ON ASTM E1300-02 (3 SEC. GUSTS).

Engr. DR. HUMAYOON FAROOQ
STRUCTURES
FLA. PE # 16557
C.A.N. 3538

PRODUCT REVISED
as complying with the Florida
Building Code
Acceptance No. 07-1018-02
Expiration Date AUG. 26, 2009
By Manuel Perez
Miami Head Product Control
Division

SEP 25 2007



AL-FAROOQ CORPORATION
ENGINEERS & PRODUCT DEVELOPMENT
1235 S.W. 87 AVE
MIAMI, FLORIDA 33174
TEL. (305) 264-8100 FAX. (305) 262-6978
COMP-ANL \W04-05IWS

S-3072 ALUMINUM FIXED WINDOW (S.M.I.)

INNOVATIVE WINDOW CONCEPTS
505 INDUSTRIAL WAY
BOYNTON BEACH, FL. 33426
TEL. (561) 493-2303 FAX. (561) 493-2302

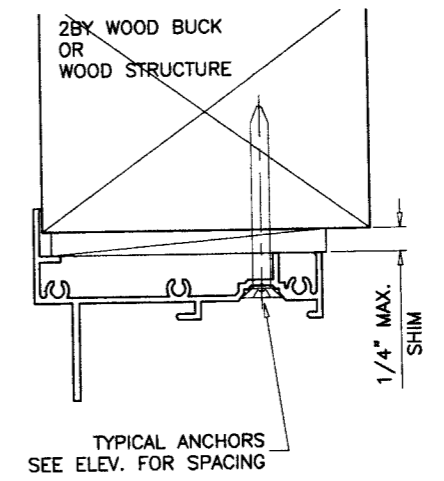
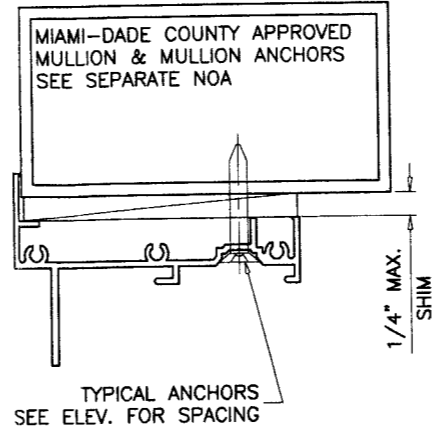
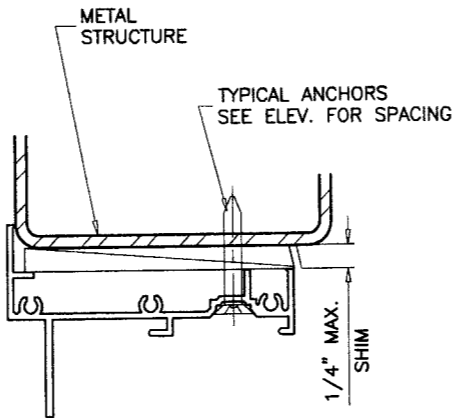
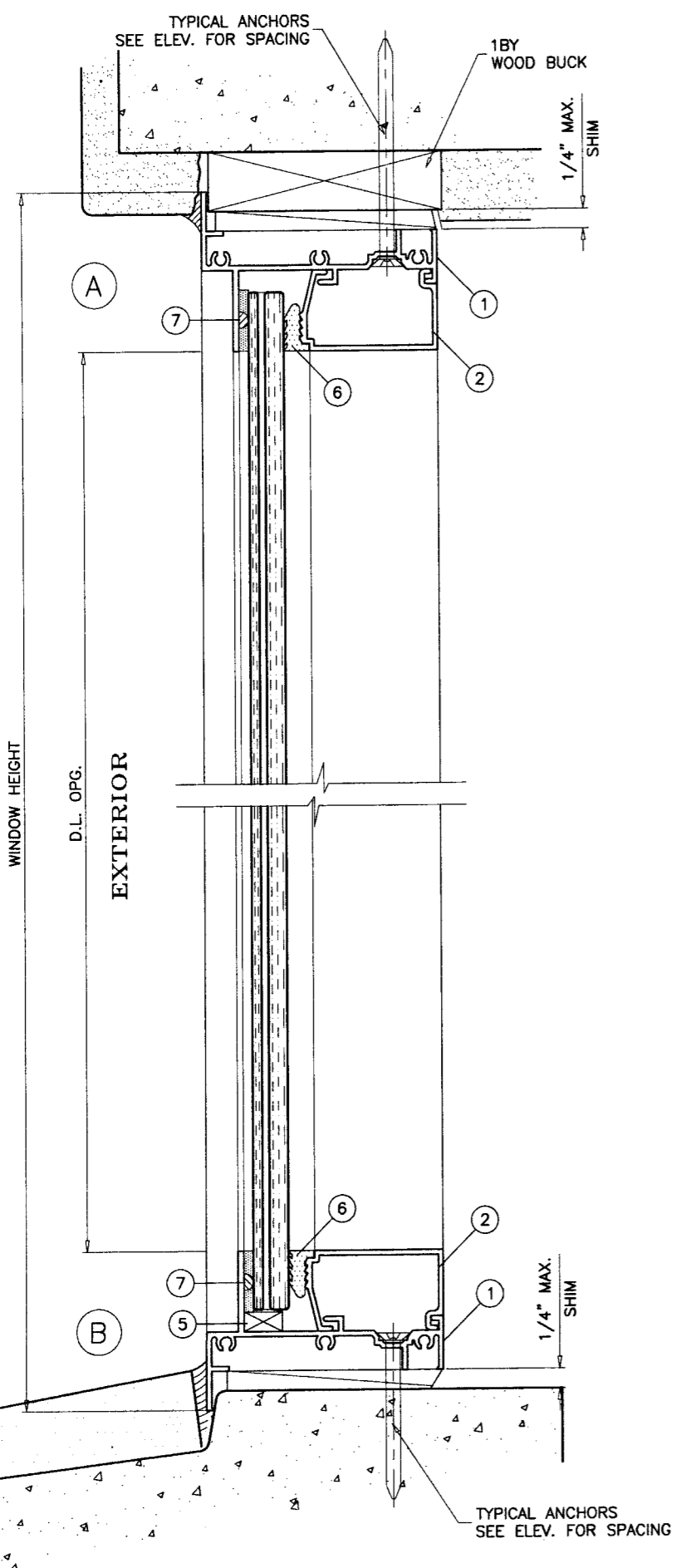
no	date	description
A	05.31.05	LOAD CAPACITY CHART REV.
B	09.24.07	GENERAL REVISION

date: 01-14-04	scale: 1/2" = 1'-0"	dr. by: HAMID	chk. by:
----------------	---------------------	---------------	----------

drawing no.
W04-05
sheet 2 of 4

no	date	description
A	05.31.05	NO CHANGE THIS SHEET
B	09.24.07	GENERAL REVISION

revisions:	date:	01-14-04
	scale:	1/2" = 1"
	dr. by:	HAMID
	chk. by:	
	drawing no.	W04-05
	sheet	3 of 4



WOOD BUCKS AND METAL STRUCTURE NOT BY I.W.C. MUST SUSTAIN LOADS IMPOSED BY GLAZING SYSTEM AND TRANSFER THEM TO THE BUILDING STRUCTURE.

TYPICAL ANCHORS: SEE ELEV. FOR SPACING

TYPE 'A'

3/16" TAPCONS
 INTO 2BY WOOD BUCKS OR WOOD STRUCTURES
 1-3/8" MIN. PENETRATION INTO WOOD
 THRU 1BY BUCKS INTO CONC. OR MASONRY
 1-1/4" MIN. EMBED INTO CONC. OR MASONRY
 DIRECTLY INTO CONC. OR MASONRY
 1-1/4" MIN. EMBED INTO CONC. OR MASONRY

3/16" TEKS OR SELF DRILLING SCREWS
 INTO METAL STRUCTURES
 STEEL : 12 GA. MIN. (Fy = 36 KSI MIN.)
 ALUMINUM : 1/8" THK. MIN. (6063-T5 MIN.)
 (STEEL IN CONTACT WITH ALUMINUM TO BE PLATED OR PAINTED)
 (1/4" MAX. SHIM SPACE)

#10 SMS OR SELF DRILLING SCREWS
 INTO MIAMI-DADE COUNTY APPROVED MULLIONS
 (MIN. THK. = .090")
 (NO SHIM SPACE)

TYPE 'B'

1/4" TAPCONS
 INTO 2BY WOOD BUCKS OR WOOD STRUCTURES
 1-3/8" MIN. PENETRATION INTO WOOD
 THRU 1BY BUCKS INTO CONC. OR MASONRY
 1-1/4" MIN. EMBED INTO CONC. OR MASONRY
 DIRECTLY INTO CONC. OR MASONRY
 1-1/4" MIN. EMBED INTO CONC. OR MASONRY

#14 SMS OR SELF DRILLING SCREWS
 INTO METAL STRUCTURES
 STEEL : 12 GA. MIN. (Fy = 36 KSI MIN.)
 ALUMINUM : 1/8" THK. MIN. (6063-T5 MIN.)
 (STEEL IN CONTACT WITH ALUMINUM TO BE PLATED OR PAINTED)
 (1/4" MAX. SHIM SPACE)

#10 SMS OR SELF DRILLING SCREWS
 INTO MIAMI-DADE COUNTY APPROVED MULLIONS
 (MIN. THK. = .090")
 (NO SHIM SPACE)

TYPICAL EDGE DISTANCE

INTO CONCRETE AND MASONRY = 2-1/4" MIN.
 INTO WOOD STRUCTURE = 1" MIN.
 INTO METAL STRUCTURE = 1/2" MIN.

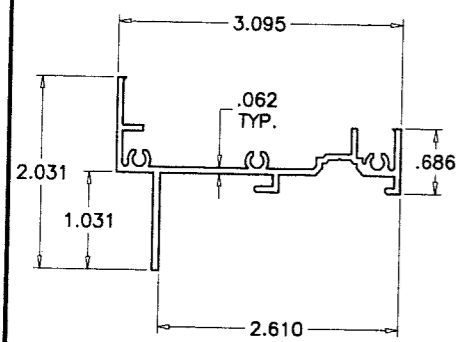
SEALANT:

ALL JOINTS AND FRAME CONNECTIONS SEALED WITH SCHNEE MOREHEAD SEAM SEALER SM5504.

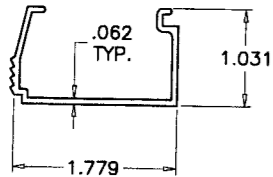
Engr: DR. HUMAYOUN FAROOQ
 STRUCTURES
 FLA. PE # 16557
 C.A.N. 3538

PRODUCT REVISED
 as complying with the Florida
 Building Code
 Acceptance No. 07-1018-02
 Expiration Date: Aug. 16, 2009
 By: W. Ahmed Farooq
 Miami Dade Product Control
 Division

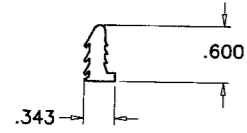
SEP 25 2007



FRAME

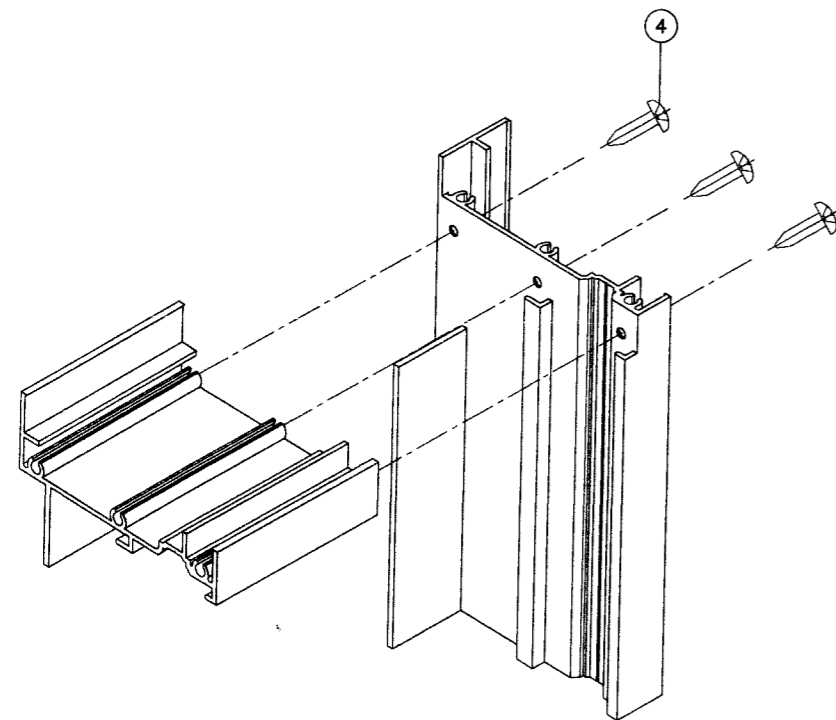
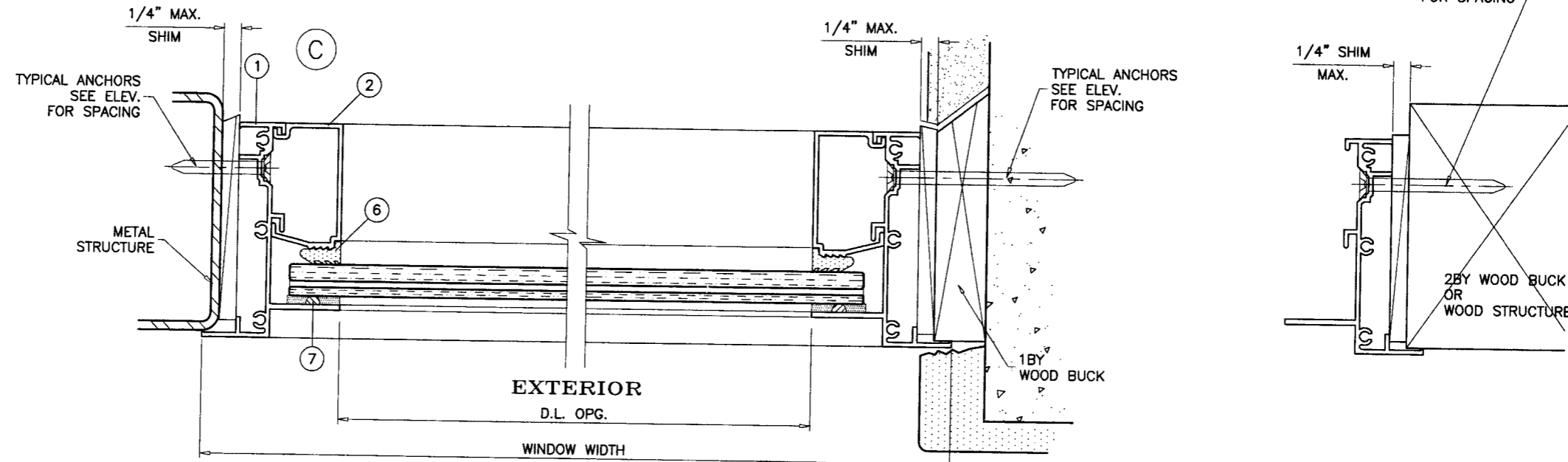


GLAZING STOP

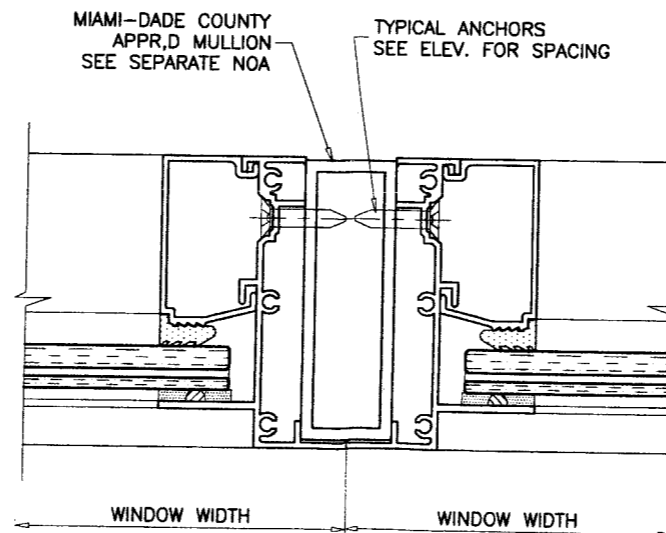


WEDGE GASKET

ITEM	PART #	QUANTITY	DESCRIPTION	MATERIAL	MANF./SUPPLIER/REMARKS
1	021-024	4	WINDOW FRAME	6063-T5	-
2	021-020	4	GLAZING STOP	6063-T5	-
3	-	-	-	-	-
4	#8 X 1"	2/ CORNER	ASSEMBLY SCREWS	CRS	PH SMS
5	-	2/ LITE	SETTING BLOCK, 1/2" X 1/4" X 1" LONG	NEOPRENE	FRANK LOWE
6	015-007	AS REQD.	GLAZING GASKET	RIGID VINYL	MASTER TOOL
7	015-006	AS REQD.	.105 SPACER	POLYURETHANE	FRANK LOWE



FRAME CORNERS



Engr: DR. HUMAYOUN FAROOQ
STRUCTURES
FLA. PE # 16557
C.A.N. 3538

PRODUCT REVISED
as complying with the Florida
Building Code
Acceptance No. 07-1018-02
Expiration Date 07-26-2009

SEP 25 2007

By *Manuel Perez*
Miami Dade Product Control
Division

S-3072 ALUMINUM FIXED WINDOW (S.M.I.)
INNOVATIVE WINDOW CONCEPTS
505 INDUSTRIAL WAY
BOYNTON BEACH, FL. 33426
TEL. (561) 493-2303 FAX. (561) 493-2302

no	date	by	description
A	05.31.05		NO CHANGE THIS SHEET
B	09.24.07		GENERAL REVISION

date: 01-14-04
scale: 1/2" = 1"
dr. by: HAMID
chk. by:

drawing no.

W04-05

sheet 4 of 4

af c
AL-FAROOQ CORPORATION
ENGINEERS & PRODUCT DEVELOPMENT
1235 S.W. 87 AVE
MIAMI, FLORIDA 33174
TEL. (305) 264-8100 FAX. (305) 262-6978

COMP-ANL\W04-05IWS