



BUILDING CODE COMPLIANCE OFFICE (BCCO)
PRODUCT CONTROL DIVISION

MIAMI-DADE COUNTY, FLORIDA
METRO-DADE FLAGLER BUILDING
140 WEST FLAGLER STREET, SUITE 1603
MIAMI, FLORIDA 33130-1563
(305) 375-2901 FAX (305) 375-2908

NOTICE OF ACCEPTANCE (NOA)

www.buldingcodeonline.com

Innovative Window Concepts, LLC
1801 Corporate Drive
Boynton Beach, FL 33426

SCOPE:

This NOA is being issued under the applicable rules and regulations governing the use of construction materials. The documentation submitted has been reviewed by Miami-Dade County Product Control Division and accepted by the Board of Rules and Appeals (BORA) to be used in Miami Dade County and other areas where allowed by the Authority Having Jurisdiction (AHJ).

This NOA shall not be valid after the expiration date stated below. The Miami-Dade County Product Control Division (In Miami Dade County) and/or the AHJ (in areas other than Miami Dade County) reserve the right to have this product or material tested for quality assurance purposes. If this product or material fails to perform in the accepted manner, the manufacturer will incur the expense of such testing and the AHJ may immediately revoke, modify, or suspend the use of such product or material within their jurisdiction. BORA reserves the right to revoke this acceptance, if it is determined by Miami-Dade County Product Control Division that this product or material fails to meet the requirements of the applicable building code. This product is approved as described herein, and has been designed to comply with the Florida Building Code, including the High Velocity Hurricane Zone.

DESCRIPTION: Series 2031/2041/2062 Aluminum Horizontal Sliding Window – L.M.I.

APPROVAL DOCUMENT: Drawing No. **W06-83**, titled "S-2031/2041/2062 Alum. Horiz. Sliding Wdw." sheets 1 through 5 of 5, dated 12/13/06, prepared by Al-Farooq Corporation, signed and sealed by Humayoun Farooq, P.E., bearing the Miami-Dade County Product Control Approval stamp with the Notice of Acceptance number and approval date by the Miami-Dade County Product Control Division.

MISSILE IMPACT RATING: Large and Small Missile Impact Resistant

LABELING: Each unit shall bear a permanent label with the manufacturer's name or logo, city, state and following statement: "Miami-Dade County Product Control Approved", unless otherwise noted herein.

RENEWAL of this NOA shall be considered after a renewal application has been filed and there has been no change in the applicable building code negatively affecting the performance of this product.

TERMINATION of this NOA will occur after the expiration date or if there has been a revision or change in the materials, use, and/or manufacture of the product or process. Misuse of this NOA as an endorsement of any product, for sales, advertising or any other purposes shall automatically terminate this NOA. Failure to comply with any section of this NOA shall be cause for termination and removal of NOA.

ADVERTISEMENT: The NOA number preceded by the words Miami-Dade County, Florida, and followed by the expiration date may be displayed in advertising literature. If any portion of the NOA is displayed, then it shall be done in its entirety.

INSPECTION: A copy of this entire NOA shall be provided to the user by the manufacturer or its distributors and shall be available for inspection at the job site at the request of the Building Official. This NOA consists of this page 1 and evidence page E-1, as well as approval document mentioned above. The submitted documentation was reviewed by **Manuel Perez, P.E.**



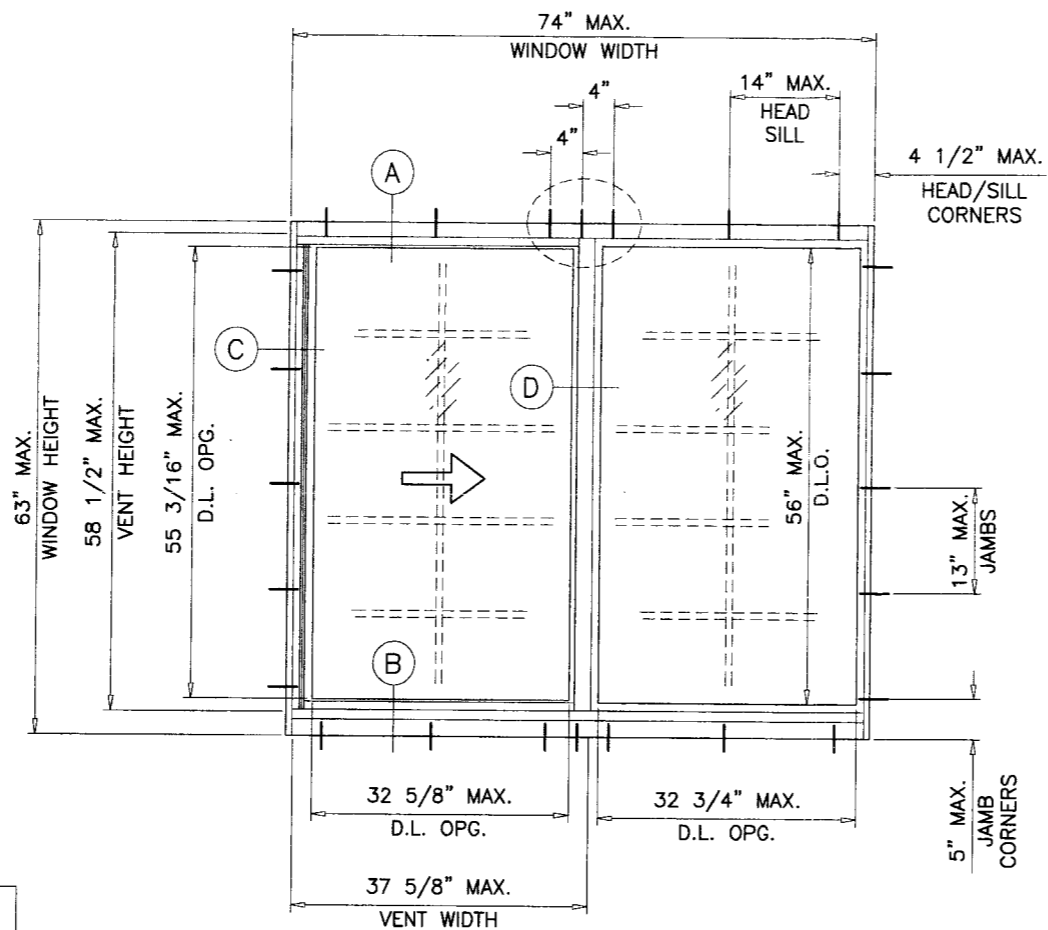
NOA No. 07-0103.09
Expiration Date: March 15, 2012
Approval Date: March 15, 2007
Page 1

Innovative Window Concepts, LLC

NOTICE OF ACCEPTANCE: EVIDENCE SUBMITTED

- A. DRAWINGS**
1. Manufacturer's die drawings and sections.
 2. Drawing No **W06-83**, Sheets 1 through 5 of 5, titled "Series 2031/2041/2062 Alum. Horiz. Sliding Wdw.", dated 12/13/06, prepared by Al-Farooq Corporation, signed and sealed by Humayoun Farooq, P.E.
- B. TESTS**
1. Test reports on: 1) Air Infiltration Test, per FBC, TAS 202-94
2) Uniform Static Air Pressure Test, per FBC, TAS 2021-94
3) Water Resistance Test, per FBC, TAS 202-94
4) Large Missile Impact Test per FBC, TAS 201-94
5) Cyclic Wind Pressure Loading per FBC, TAS 203-94
6) Forced Entry Test, per FBC 2411 3.2.1, TAS 202-94
along with marked-up drawings and installation diagram of a Horizontal Sliding Window, glazed with 5/16" HS and 7/16" HS laminated glass, prepared by American Test Lab of South Florida, Test Report No. **ATLSF-1023.01-06**, dated 11 /17/06, signed and sealed by Henry Hattem, P.E. and William R. Mehner, P.E.
- C. CALCULATIONS**
1. Anchor verification calculations and structural analysis, complying with FBC-2004, prepared by Al-Farooq Corporation, dated 12/9/06, signed and sealed by Humayoun Farooq, P.E.
Complies with ASTM E1300-02
- D. QUALITY ASSURANCE**
1. Miami Dade Building Code Compliance Office (BCCO).
- E. MATERIAL CERTIFICATIONS**
1. Notice of Acceptance No. **01-1204.01** issued to E.I. DuPont DeNemours for "DuPont **Sentry Glass (R) Plus**" dated 01/17/02, expiring on 01/14/07.
 2. Notice of Acceptance No. **05-1208.02**, issued to E.I. DuPont DeNemours for "Dupont Butacite PVB Interlayer", approved on 01/05/06 and expiring on 12/11/10.
- F. STATEMENTS**
1. Statement letter of conformance, dated December 9, 2006, signed and sealed by Humayoun Farooq, P.E.
 2. Statement letter of no financial interest, dated December 9, 2006, signed and sealed by Humayoun Farooq, P.E.
 3. Laboratory compliance letter for Test Report no. **ATLSF- 1023.01-06**, issued by American Test Lab of South Florida, dated 11/17/06, signed and sealed by Henry Hattem, P.E. and William R. Mehner, P.E.
- G. OTHER**
1. None.


Manuel Perez, P.E.
Product Control Examiner
NOA No. 07-0103.09
Expiration Date: March 15, 2012
Approval Date: March 15, 2007



TYPICAL ELEVATIONS

NOTE:
GLASS CAPACITIES ON THIS SHEET ARE
BASED ON ASTM E1300-02 (3 SEC. GUSTS)

MAXIMUM DESIGN LOAD RATING = + 75.0 PSF
(FOR SIZES SHOWN ABOVE OR SMALLER) - 75.0 PSF
SERIES 2031

MAXIMUM DESIGN LOAD RATING = + 75.0 PSF
(FOR SIZES SHOWN ABOVE OR SMALLER) - 85.0 PSF
SERIES 2041

MAXIMUM DESIGN LOAD RATING = + 80.0 PSF
(FOR SIZES SHOWN ABOVE OR SMALLER) - 100.0 PSF
SERIES 2062

THESE WINDOWS ARE RATED FOR LARGE MISSILE IMPACT.
SHUTTERS ARE NOT REQUIRED.

SERIES 2031/2041/2062
ALUMINUM HORIZONTAL SLIDING WINDOW

APPROVAL APPLIES TO SINGLE UNITS OR SIDE BY SIDE
COMBINATIONS OF H.S./H.S. OR HORIZONTAL SLIDING WITH OTHER
MIAMI-DADE COUNTY APPR'D WINDOWS USING MIAMI-DADE COUNTY
APPROVED MULLIONS IN BETWEEN.
LOWER DESIGN PRESSURE FROM WINDOWS OR MULLION APPROVAL
WILL APPLY TO ENTIRE SYSTEM.

THIS PRODUCT HAS BEEN DESIGNED AND TESTED TO COMPLY WITH THE
REQUIREMENTS OF THE FLORIDA BUILDING CODE 2004 EDITION INCLUDING
HIGH VELOCITY HURRICANE ZONE (HVHZ).

WOOD BUCKS BY OTHERS, MUST BE ANCHORED PROPERLY TO TRANSFER
LOADS TO THE STRUCTURE.

ANCHORS SHALL BE AS LISTED, SPACED AS SHOWN ON DETAILS, ANCHORS
EMBEDMENT TO BASE MATERIAL SHALL BE BEYOND WALL DRESSING OR STUCCO.
ANCHORING OR LOADING CONDITIONS NOT SHOWN IN THESE DETAILS
ARE NOT PART OF THIS APPROVAL.

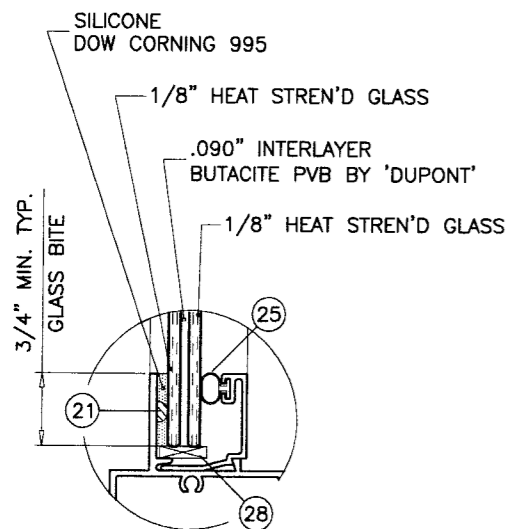
A LOAD DURATION INCREASE IN ALLOWABLE STRESS IS USED IN DESIGN OF
ANCHORS INTO WOOD ONLY.

MATERIALS INCLUDING BUT NOT LIMITED TO STEEL/METAL SCREWS, THAT COME INTO
CONTACT WITH OTHER DISSIMILAR MATERIALS SHALL MEET THE REQUIREMENTS
OF 2004 FLORIDA BLDG. CODE SECTION 2003.8.4.

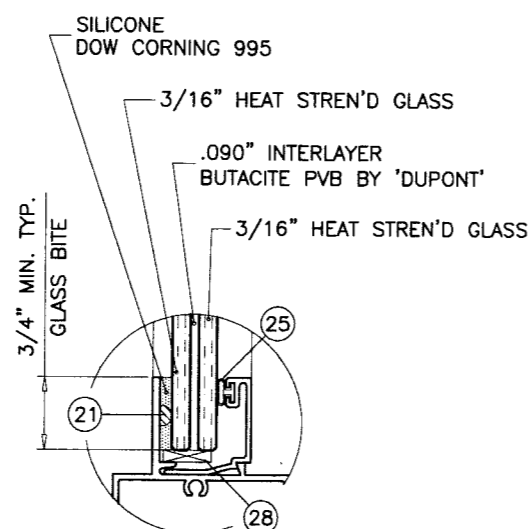
Engr: DR. HUMAYOUN FAROOQ
STRUCTURES
FLA. PE # 16557
C.A.N. 3538

Approved as complying with the
Florida Building Code
Date MARCH 15, 2007
NOA# 07-0103.09
Miami Dade Product Control
Division
By Muhammad Saad

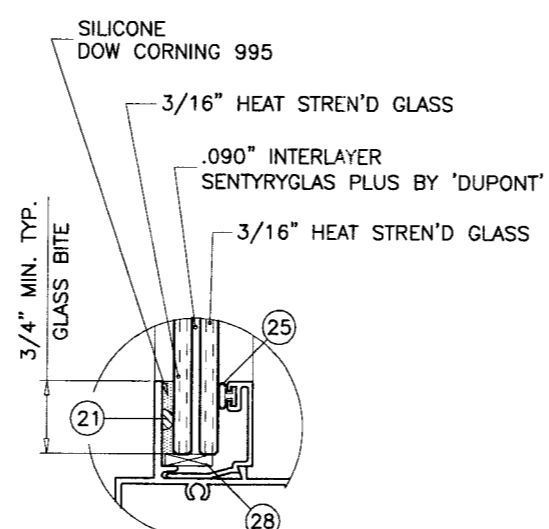
DEC 15 2006



SERIES 2031



SERIES 2041



SERIES 2062

GLAZING OPTIONS

af c
AL-FAROOQ CORPORATION
ENGINEERS & PRODUCT DEVELOPMENT
1235 S.W. 87 AVE
MIAMI, FLORIDA 33174
TEL. (305) 264-8100 FAX. (305) 262-6978
COMP-ANL\W06-83IWC

S-2031/2041/2062 ALUM. HORIZ. SLIDING WDW.
INNOVATIVE WINDOW CONCEPTS
505 INDUSTRIAL WAY
BOYNTON BEACH, FL. 33426
TEL. (561) 493-2303 FAX. (561) 493-2302

revisions:	no	date	by	description

date: 12-13-06
scale: 1/2"=1'-0"
dr. by: HAMID
chk. by:

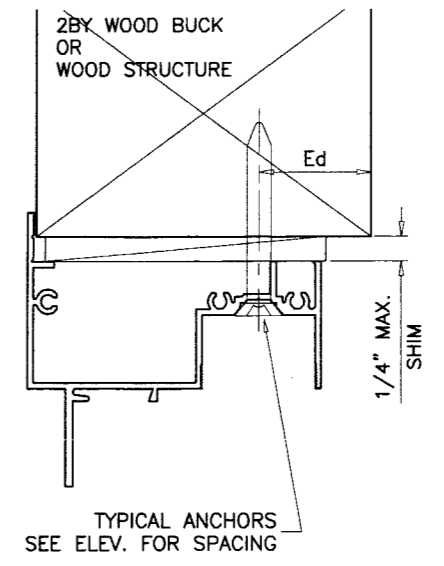
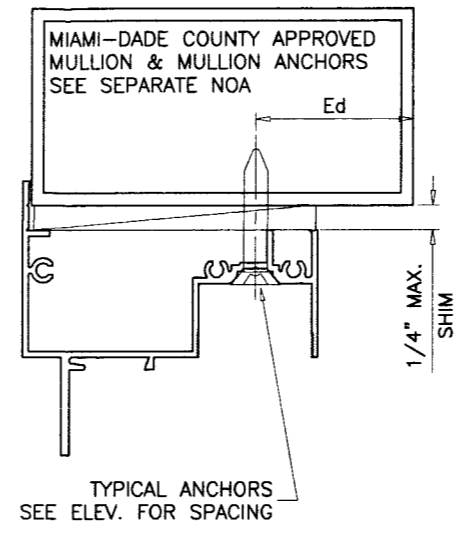
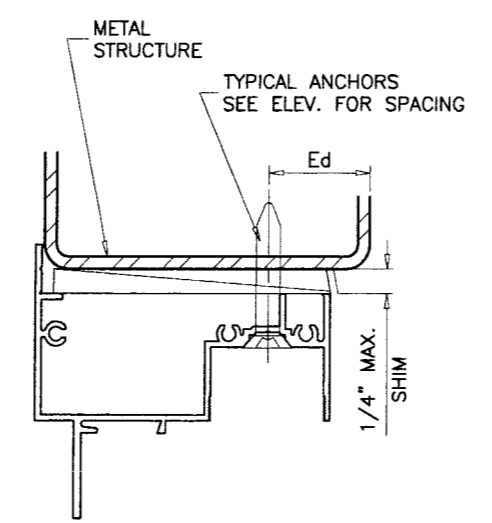
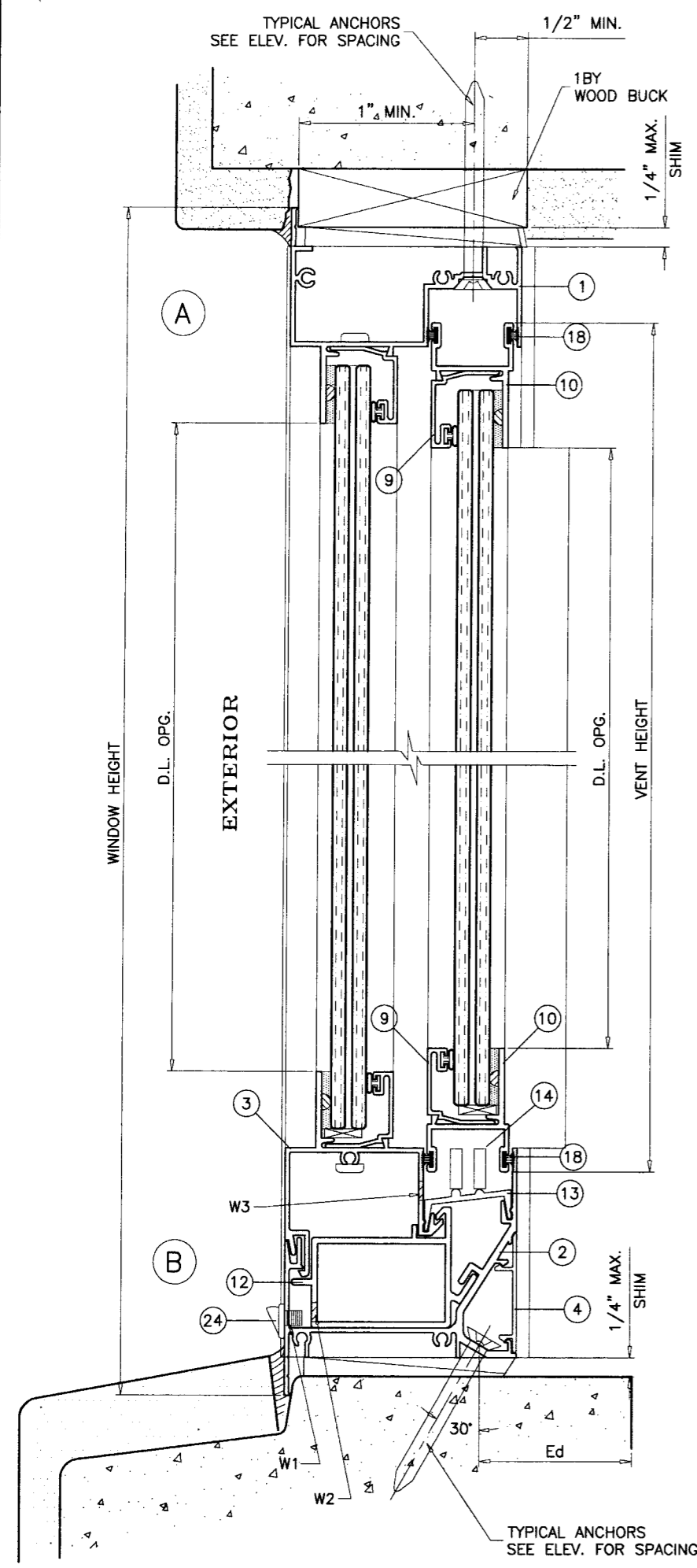
drawing no.

W06-83

sheet 1 of 5

no	date	by	description

date: 12-13-06	scale: 1/2" = 1"
dr. by: HAMID	chk. by:



WOOD BUCKS AND METAL STRUCTURE NOT BY I.W.C. MUST SUSTAIN LOADS IMPOSED BY GLAZING SYSTEM AND TRANSFER THEM TO THE BUILDING STRUCTURE.

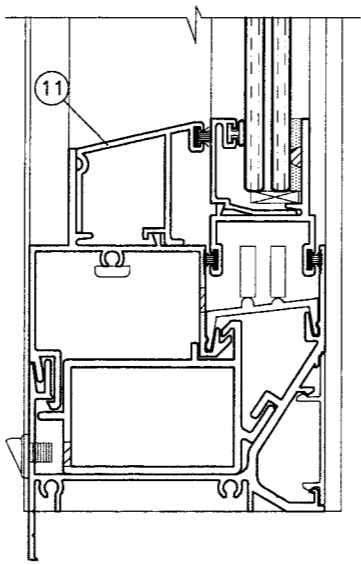
TYPICAL ANCHORS: SEE ELEV. FOR SPACING

- 1/4" TAPCONS**
 INTO 2BY WOOD BUCKS OR WOOD STRUCTURES
 1-3/8" MIN. PENETRATION INTO WOOD
 THRU 1BY BUCKS INTO CONC. OR MASONRY
 1-1/4" MIN. EMBED INTO CONC. OR MASONRY
 DIRECTLY INTO CONC. OR MASONRY
 1-1/4" MIN. EMBED INTO CONC. OR MASONRY

- #14 SMS OR SELF DRILLING SCREWS**
 INTO MIAMI-DADE COUNTY APPROVED MULLIONS (MIN. THK. = .090")
 INTO METAL STRUCTURES
 STEEL : 12 GA. MIN. (Fy = 36 KSI MIN.)
 ALUMINUM : 1/8" THK. MIN. (6063-T5 MIN.)
 (STEEL IN CONTACT WITH ALUMINUM TO BE PLATED OR PAINTED)

- Ed = ANCHOR EDGE DISTANCE**
 INTO CONCRETE AND MASONRY = 1-1/2" MIN.
 INTO WOOD STRUCTURE = AS SHOWN
 INTO METAL STRUCTURE = 1/2" MIN.

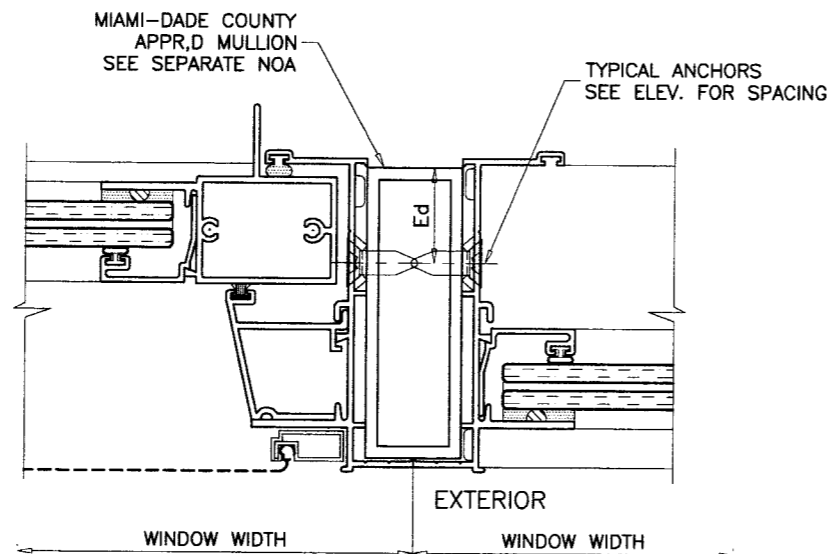
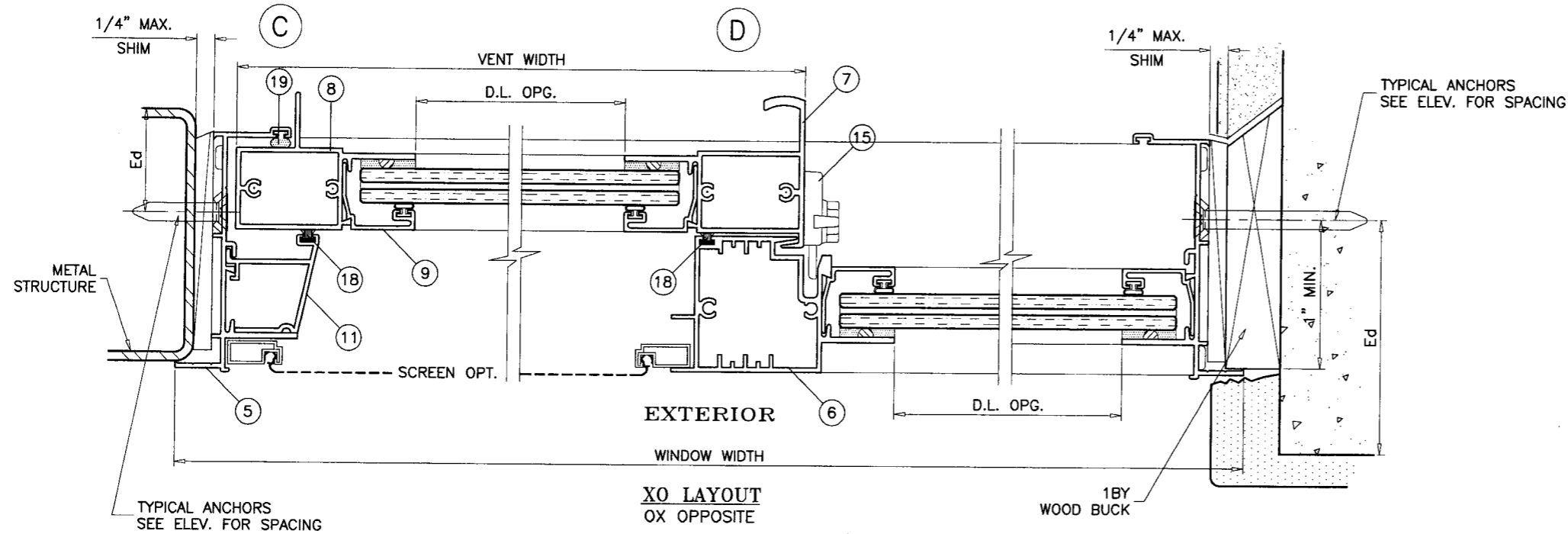
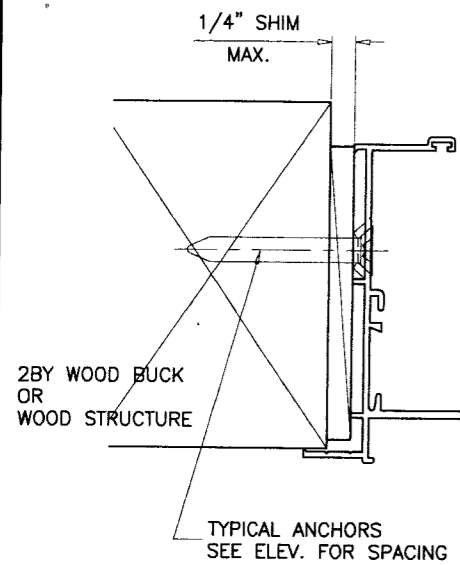
SEALANTS:
 ALL JOINTS AND FRAME CONNECTIONS SEALED WITH SCHNEE MOREHEAD SEAM SEALER SM5504.



- WEEPHOLES:**
 W1 = (3) 1-5/8" X 1/4" WEEPHOLES AT 7-1/8" FROM EACH END AND AT MIDSPAN WITH WEEP COVER
 W2 = (1) 1" X 1/4" WEEP SLOTS UNDER FIXED LITE AT 37" FROM ENDS.
 W3 = (3) 1" X 1/4" WEEP SLOTS ON VENT AREA AT 6" FROM VENT ENDS AND AT CENTER.

Engr. DR. HUMAYOUN FAROOQ
 STRUCTURES
 FLA. PE # 16557
 C.A.N. 3538

Approved as complying with the
 Florida Building Code
 Date: 12-15-2007
 NOA# 07-0103.09
 Miami Dade Product Control
 Division
 By: *[Signature]*



Engr: DR. HUMAYCUN FAROOQ
STRUCTURES
FLA. PE # 16557
C.A.N. 3538

Approved as complying with the
Florida Building Code
Date: MARCH 15, 2007
NOA# 07-0103-09
Miami Dade Product Control
Division
By: Manuel Perez

DEC 15 2006

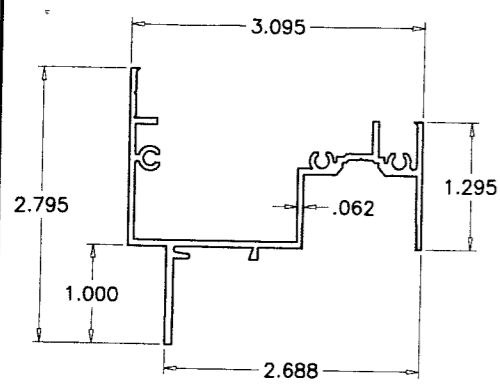
af c
AL-FAROOQ CORPORATION
ENGINEERS & PRODUCT DEVELOPMENT
1235 S.W. 87 AVE
MIAMI, FLORIDA 33174
TEL. (305) 264-8100 FAX. (305) 262-6978
COMP -ANL\W06-83IWC

S-2031/2041/2062 ALUM HORIZ. SLIDING WDW.
INNOVATIVE WINDOW CONCEPTS
505 INDUSTRIAL WAY
BOYNTON BEACH, FL. 33426
TEL. (561) 493-2303 FAX. (561) 493-2302

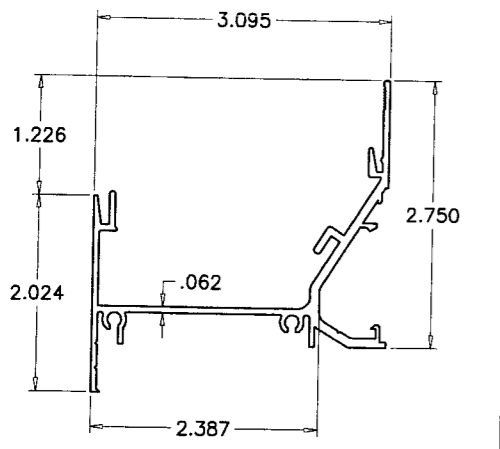
revisions:	no.	date	by	description

date: 12-13-06
scale: 1/2" = 1"
dr. by: HAMID
chk. by:

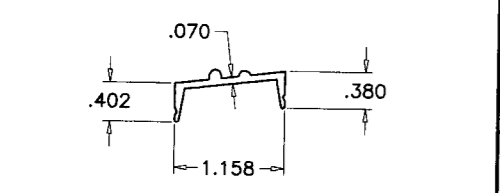
drawing no.
W06-83
sheet 3 of 5



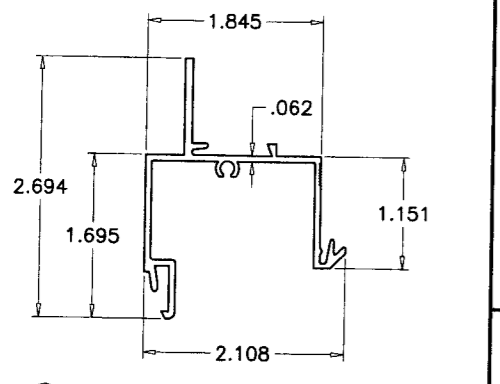
① FRAME HEAD



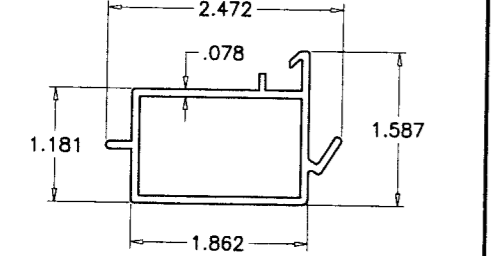
② FRAME SILL BASE



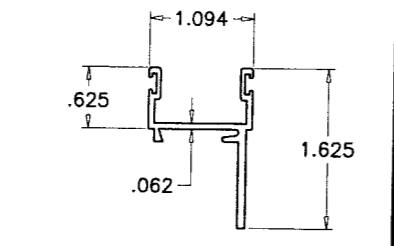
⑬ SILL TRACK



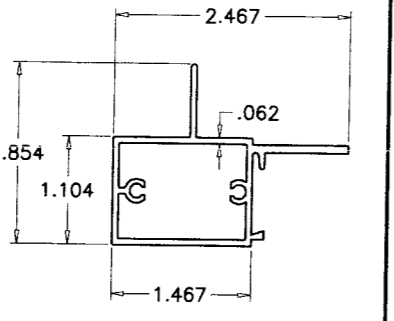
③ FRAME SILL INSERT



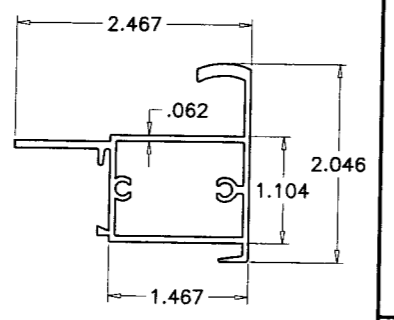
⑫ SILL REINFORCING



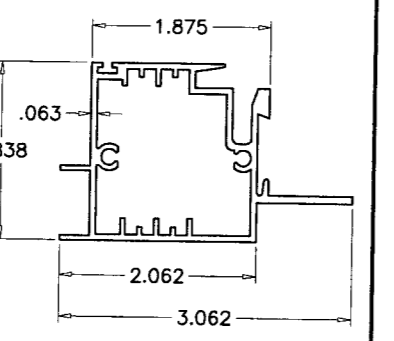
⑩ VENT TOP/BOTTOM RAIL



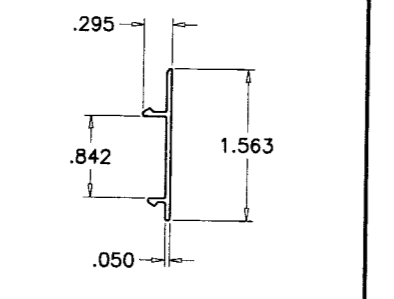
⑧ VENT SIDE PULL



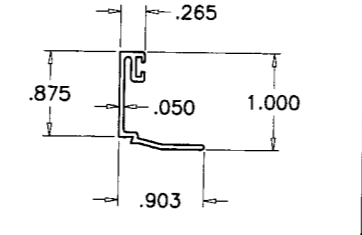
⑦ VENT SIDE INTERLOCK



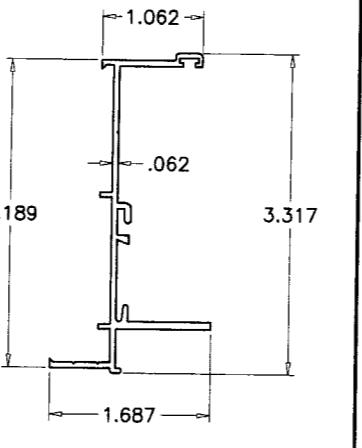
⑥ FIXED MTG. STILE



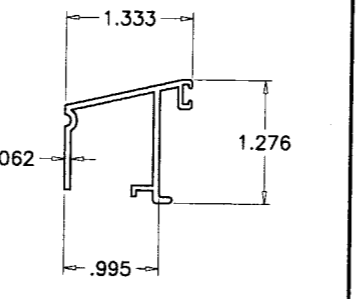
④ FRAME SILL COVER



⑨ GLAZING BEAD



⑤ FRAME JAMB



⑪ WATER SHED

ITEM	PART #	QUANTITY	DESCRIPTION	MATERIAL	MANF./SUPPLIER/REMARKS
1	021-005	1	FRAME HEAD	6063-T5	-
2	021-014	1	FRAME SILL BASE	6063-T5	-
3	021-013	1	FRAME SILL INSERT	6063-T5	-
4	021-015	1	FRAME SILL COVER	6063-T5	-
5	021-006	2	FRAME JAMB	6063-T5	-
6	022-007	1/ VENT	FIXED MEETING STILE	6063-T5	-
7	022-004	1/ VENT	VENT SIDE INTERLOCK	6063-T5	-
8	022-019	1/ VENT	VENT SIDE PULL	6063-T5	-
9	021-011	4/ GLASS	GLAZING BEAD	6063-T5	-
10	021-003	2/ VENT	VENT TOP/BOTTOM RAIL	6063-T5	-
11	021-039	1/ VENT	WATER SHED	6063-T5	-
12	022-038	-	SILL REINFORCEMENT, 12" LONG	6063-T5	1/ MTG. RAIL & 1 BELOW FIX.
13	021-016	1	TRACK	ALUMINUM	-
14	010-004	2/ VENT	WHEEL HOUSING ASSEMBLY	RIGID PVC	M & M PLASTICS
15	004-002	2/ VENT	SWEEP LOCK (PD207)	-	SULLIVAN & ASSOC.
16	008-014	AS REQD.	ASSEMBLY SCREWS	ST/ST	#8 X 1" PH SMS
17	008-031	4	MTG. RAIL ASSEMBLY SCREWS	ST/ST	#10 X 1" PH SMS
18	016-002	AS REQD.	.187 X 170 WOOL PILE W/ FIN SEAL	FELT	ULTRAFAB
19	023-001	AS REQD.	.187 X .270 FOAM FILLED BULB	VINYL	AMESBURY
20	012-004	AS REQD.	GLAZING COMPOUND	SILICONE	DOW 995
21	015-006	AS REQD.	1/8" SPACER	ACRYLIC	FRANK LOWE RUBBER
22	012-001	-	SM5504 SEAM SEALER	-	SCHNEE MOREHEAD
23	010-014	AS REQD.	BAFFLE	NYLON	M & M PLASTICS
24	010-015	AS REQD.	WEEP COVER	NYLON	PREFERRED ENGINEERING
25	015-001	AS REQD.	.185 X 220 BULB VINYL	VINYL	MASTER TOOL
26	010-002	2/ VENT	END CAP	ACETYL	M & M PLASTICS
27	-	-	-	-	-
28	015-010	2/ LITE	1/8" X 1/2" SETTING BLOCK	NEOPRENE	FRANK LOWE RUBBER
29	-	-	-	-	-

Engr. DR. HUMAYOUN FAROOQ
STRUCTURES
FLA. PE # 16557
C.A.N. 3538

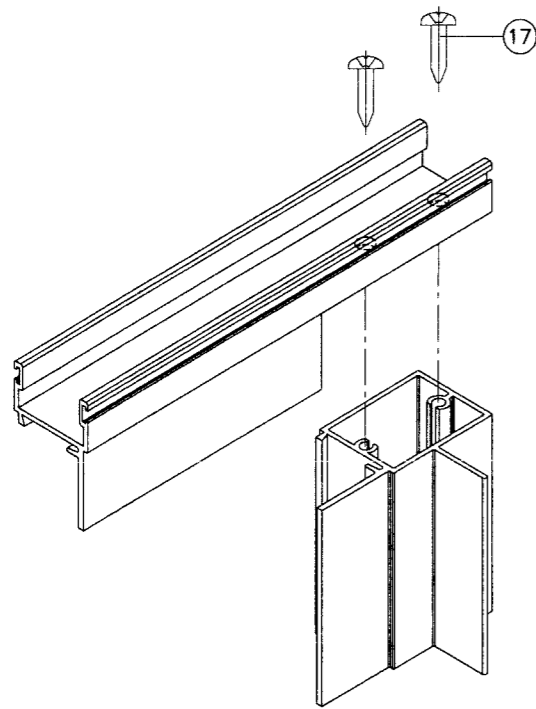
Approved as complying with the
Florida Building Code
Date: MARCH 15, 2007
NOA# 07-0103.09
Miami Dade Product Control
Division
By: Mauro Peres

af c
AL-FAROOQ CORPORATION
ENGINEERS & PRODUCT DEVELOPMENT
1235 S.W. 87 AVE
MIAMI, FLORIDA 33174
TEL. (305) 264-8100 FAX. (305) 262-6978
COMP-ANL\W06-83\WC

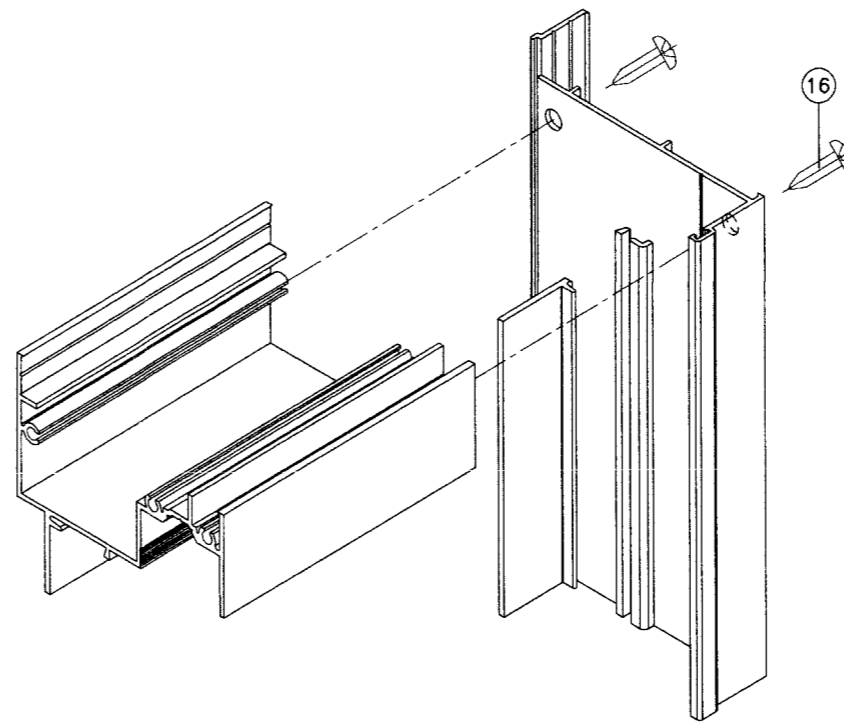
S-2031/2041/2062 ALUM HORIZ. SLIDING WDW.
INNOVATIVE WINDOW CONCEPTS
505 INDUSTRIAL WAY
BOYNTON BEACH, FL. 33426
TEL. (561) 493-2303 FAX. (561) 493-2302

revisions:	no	date	by	description

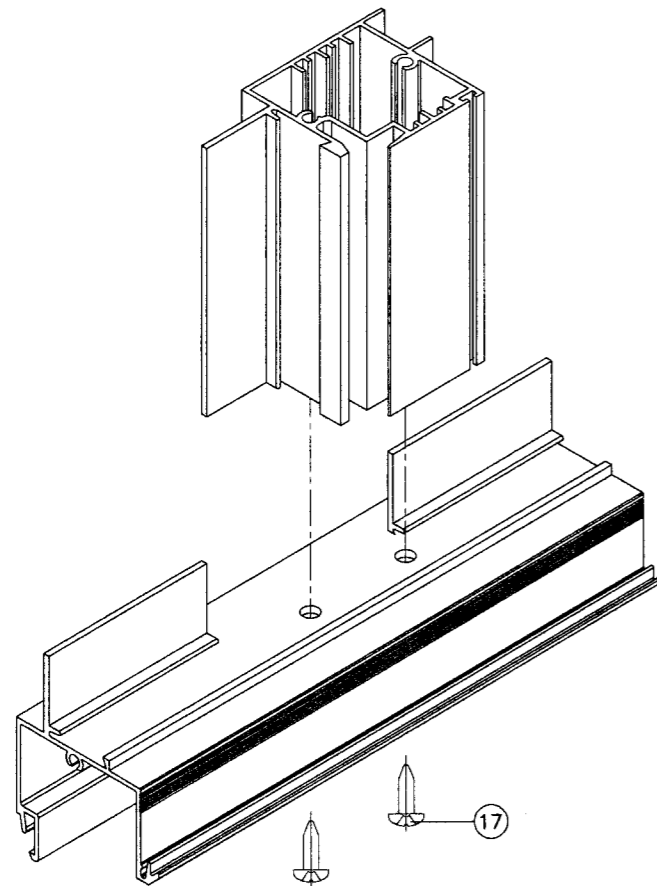
date: 12-13-06
scale: 1/2" = 1"
dr. by: HAMID
chk. by:
drawing no. **W06-83**
sheet 4 of 5



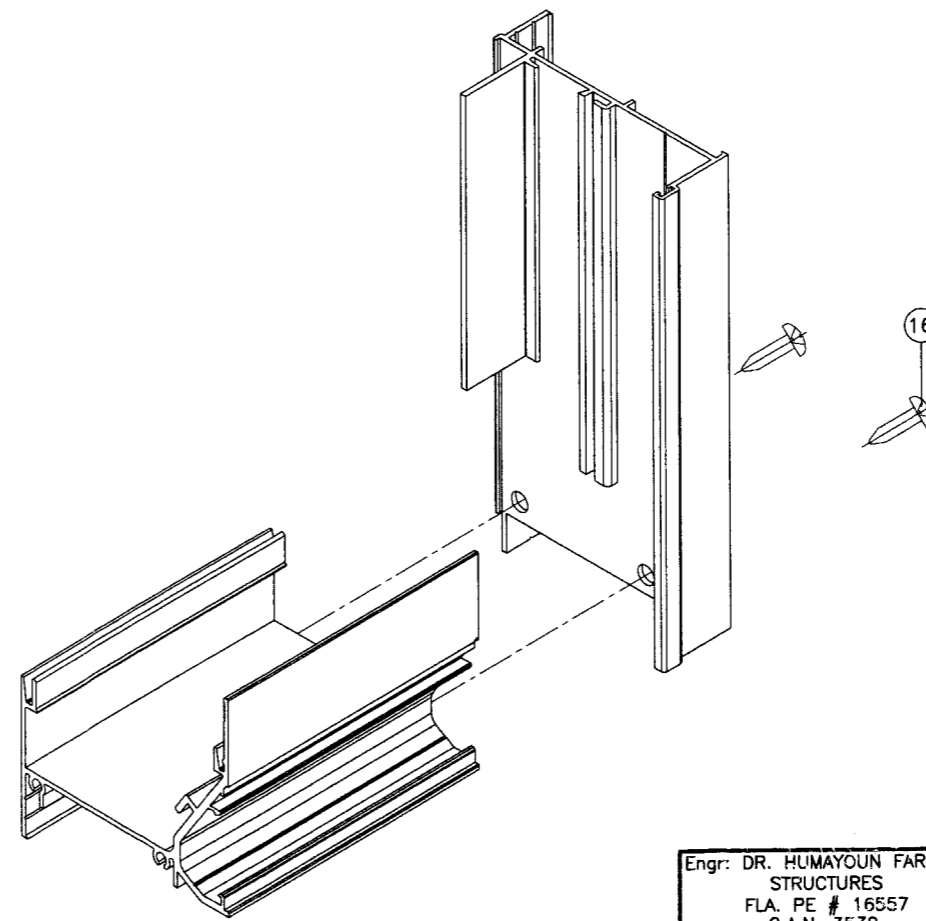
VENT TOP/BOTTOM CORNERS



FRAME TOP CORNER



FIXED MTG. RAIL CORNER



FRAME BOTTOM CORNER

Engr: DR. HUMAYOUN FAROQQ
STRUCTURES
FLA. PE # 16557
C.A.N. 3538

DEC 15 2007

Approved as complying with the
Florida Building Code
Date: MARCH 15, 2007
NOA# 07-0103.09
Miami Date Product Control
By: *Manuel Perez*

af c
AL-FAROQQ CORPORATION
ENGINEERS & PRODUCT DEVELOPMENT
1235 S.W. 87 AVE
MIAMI, FLORIDA 33174
TEL. (305) 264-8100 FAX. (305) 262-6978
COMP-ANL\W06-83IWC

S-2031/2041/2062 ALUM HORIZ. SLIDING WDW.
INNOVATIVE WINDOW CONCEPTS
505 INDUSTRIAL WAY
BOYNTON BEACH, FL. 33426
TEL. (561) 493-2303 FAX. (561) 493-2302

no	date	by	description

date: 12-13-06
scale: 1/2" = 1"
dr. by: HAMID
chk. by:

drawing no.
W06-83
sheet 5 of 5